

---

# INSTALLATION INSTRUCTIONS

---

## ECONOMIZERS WITH EXHAUST FOR EQUIPMENT BUILDING APPLICATIONS

Models:

EWM2-T\* & EWM3-T\*

(Factory- and Field-Installed Vent Option “Y”)  
with D.B. OUTDOOR CONTROL

&

EWM2-E\* & EWM3-E\*

(Factory- and Field-Installed Vent Option “Z”)  
with ENTHALPY OUTDOOR CONTROL

For Use with 1-1/2 Through 3 Ton  
Wall Mount Air Conditioners

**NOTE:** *These instructions are written to cover field-installed economizers, but are also included with factory-installed economizers. For factory-installed economizers, all portions addressing “installation” are for reference only.*



Climate Control Solutions

Bard Manufacturing Company, Inc.  
Bryan, Ohio 43506  
[www.bardhvac.com](http://www.bardhvac.com)

Manual: 2100-623D  
Supersedes: 2100-623C  
Date: 11-23-16

# CONTENTS

---

<b>GENERAL</b> .....	<b>3</b>
Nomenclature .....	3
General Information.....	3
Unpacking .....	3
Description .....	3

<b>INSTALLATION OF FIELD-INSTALLED ECONOMIZER</b> .....	<b>4</b>
Basic Installation .....	4
Preparing Unit for Economizer Installation .....	4
Outdoor Air Sensor Installation .....	8
Economizer Installation.....	9
Economizer Checkout .....	11
Control Wiring Connection Diagrams.....	11

<b>START-UP/CHECKOUT PROCEDURES</b> .....	<b>18</b>
JADE™ Economizer Controller .....	18
Review/Customize System Setup.....	18
Enthalpy Settings.....	22
Economizer Sequence of Operation .....	23
Condition - Cool/Dry OA Conditions .....	23
Condition - Warm/Humid OA Conditions .....	23
Economizer Operation for Single Stage.....	25
Economizer Operation for Two Stage.....	26

<b>TABLES</b>	
Table 1 Economizer Application .....	3
Table 2 System Setup Menu Levels .....	19
Table 3 Advanced Setup Menu Levels.....	19
Table 4 Setpoints Menu Levels.....	20
Table 5 H Series Setpoints Menu Levels .....	20
Table 6 Checkout Menu Levels.....	20
Table 7 Status Menu Levels.....	21
Table 8 Alarm Examples.....	21

## ECONOMIZER FEATURES

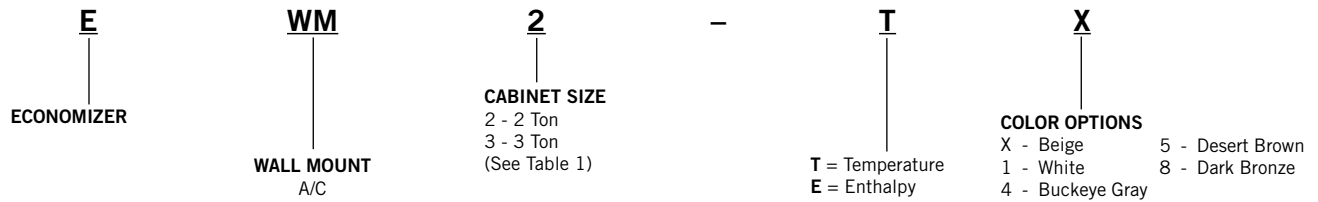
- One piece construction—easy to install.
- Exhaust air damper—built in with positive closed position. Provides exhaust air capability to prevent pressurization of tight buildings.
- **JADE™** controller provides nearly limitless customization on a solid, intuitive electronic platform.
- Actuator Motor – 24 volt, power-open, spring-return, with stall protection. Self-centering shaft clamp and access cover facilitate ease of replacement/maintenance.

## FIGURES

Figure 1 Economizer Assembly.....	4
Figure 2 Wall Mount Unit Access Panels .....	4
Figure 3 Exhaust Cover Plate.....	5
Figure 4 New Condenser Exhaust Plate w/Screen Installation .....	5
Figure 5 Condenser Exhaust Plate w/Screen .....	5
Figure 6 Filter and Filter Brackets .....	6
Figure 7 Filter Brackets Included with Economizer Assembly.....	6
Figure 8 Filter Bracket and Filter Bracket Fill Plate Installation.....	7
Figure 9 Outdoor Air Sensor Installation .....	8
Figure 10 Wire Harness Secured to Back of Unit.....	8
Figure 11 Wire Harness Through Grommet .....	8
Figure 12 Low Voltage Wire Harness Pulled Through Grommet .....	9
Figure 13 Economizer Inserted into Opening .....	9
Figure 14 Orange Wires Routed Along Refrigerant Lines .....	9
Figure 15 Mixed Air Temp Sensor .....	10
Figure 16 Mixed Air Temp Sensor Location.....	10
Figure 17 Mixed Air Temp Sensor Wires .....	10
Figure 18 Timmerman Nut Relocation.....	10
Figure 19 Vent Option Door Installation .....	11
Figure 20 MV5000-BC Wiring Diagram .....	12
Figure 21 MV4001-BC Wiring Diagram .....	13
Figure 22 MC3000 Wiring Diagram .....	14
Figure 23 MC3000 Wiring Diagram .....	15
Figure 24 MV5000-BC6 Wiring Diagram .....	16
Figure 25 MV4001-B Wiring Diagram .....	17
Figure 26 JADE™ Economizer Controller .....	18
Figure 27 100% Outside Airflow Path.....	23
Figure 28 Mixed Airflow Path .....	23
Figure 29 100% Closed Loop Airflow Path .....	24

- Proportioning-type control for maximum “free” cooling economy and comfort with up to 100% outside air.
- Dry bulb or enthalpy sensor to monitor outdoor air temperature and humidity.
- Minimum Ventilation Position available for required ventilation of occupants or dilution of pollutants.
- Mixed air sensor to monitor outdoor and return air to automatically modulate damper position.

## ECONOMIZER WITH EXHAUST MODEL NOMENCLATURE



### GENERAL INFORMATION

The economizer should only be installed by a trained heating and air conditioning technician. These instructions serve as a guide to the technician installing an economizer package, not as a step-by-step procedure with which the mechanically inclined owner can install the package.

The economizer housing is shipped in one carton, which contains the electrical harness, miscellaneous hardware and installation instructions.

The economizer installation requires the use of a 2-stage cooling thermostat (if there is not one already present) and requisite amounts of low voltage conductor wire for two-stage cooling. The number of low-voltage control conductors will vary depending upon application.

If using a master controller, the shelter controller is designed specifically to control two (2) redundant wall mount units equipped with economizers.

Any wall mount unit equipped with an economizer must also have a factory/field-installed low ambient control. Please refer to appropriate model/year Specification Sheet for requisite field installed low ambient control kit part numbers.

### UNPACKING

Upon receipt of the equipment, be sure to compare the model number found on the shipping label with the accessory identification information on the orders and shipping document to verify that the correct accessory has been shipped.

Inspect the carton housing of each economizer assembly as it is received and, before signing the freight bill, verify that all items have been received and there is no visible damage. Note any shortages or damage on all copies of the freight bill. The receiving party must contact the last carrier immediately, preferably in writing, requesting inspection by the carrier's agent. Concealed damage not discovered until after loading must be reported to the carrier within 15 days of its receipt.

### DESCRIPTION

EWM economizers are designed to be used with the wall mount series air conditioners, shown in Table 1, equipped with low ambient controls. They are electromechanical economizer systems designed to provide "free" cooling where the outdoor air temperature/enthalpy is cool enough to provide the needed cooling without running the compressor, or in addition to the compressor. When cooling is required, the system automatically takes advantage of cold outdoor air when available and uses it for first stage cooling. This then reduces the need to run the air conditioning compressor providing lower operating costs and increasing the service life of the equipment. If the outdoor air temperature/enthalpy is too warm to be sufficient for cooling, the dry bulb outdoor air temperature sensor detects the condition and automatically closes the outdoor air intake/exhaust damper, opens the return air damper and switches to compressor-only operation. Without attention from the end user, the economizer assembly is meant to automatically achieve maximum savings while ensuring appropriately cool space temperatures. The economizer utilizes a fully modulating damper actuator, which will control intake/exhaust in order to obtain and maintain a factory-set minimum supply air temperature. As a secondary feature, the economizer assembly can be programmed for a minimum ventilation based on an "occupied" (or otherwise dedicated) 24V signal to satisfy fresh air ventilation on populated structures or dilution of internal pollutants.

**TABLE 1**  
**Economizer Application**

① MODEL	FOR USE WITH FOLLOWING UNITS
EWM2	WA241, WA242, W24A/L1, W24A/L2, H24A/L2, H24A/LA
EWM3	WA301, WA361, WA302, WA362, W30A/L1, W36A/L1, W30A/L2, W36A/L2, H30A/L2, H30A/L4, H36A/L2, H36A/L4, H30A/LA, H36A/LA, WA372-A

① Low ambient control is required w/economizer for low temperature operation.

# INSTALLATION OF FIELD-INSTALLED ECONOMIZER

## BASIC INSTALLATION

### **WARNING**

**Electrical shock hazard.**

**Disconnect remote electrical power supply or supplies before servicing.**

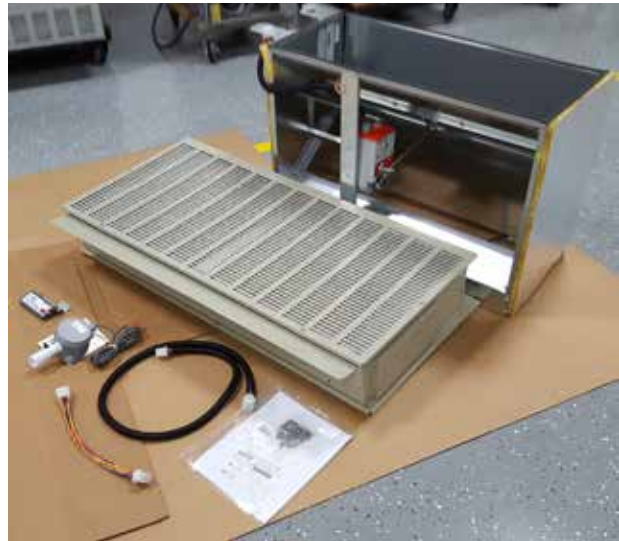
**Failure to do so could result in electric shock or death.**

### Preparing Unit for Economizer Installation

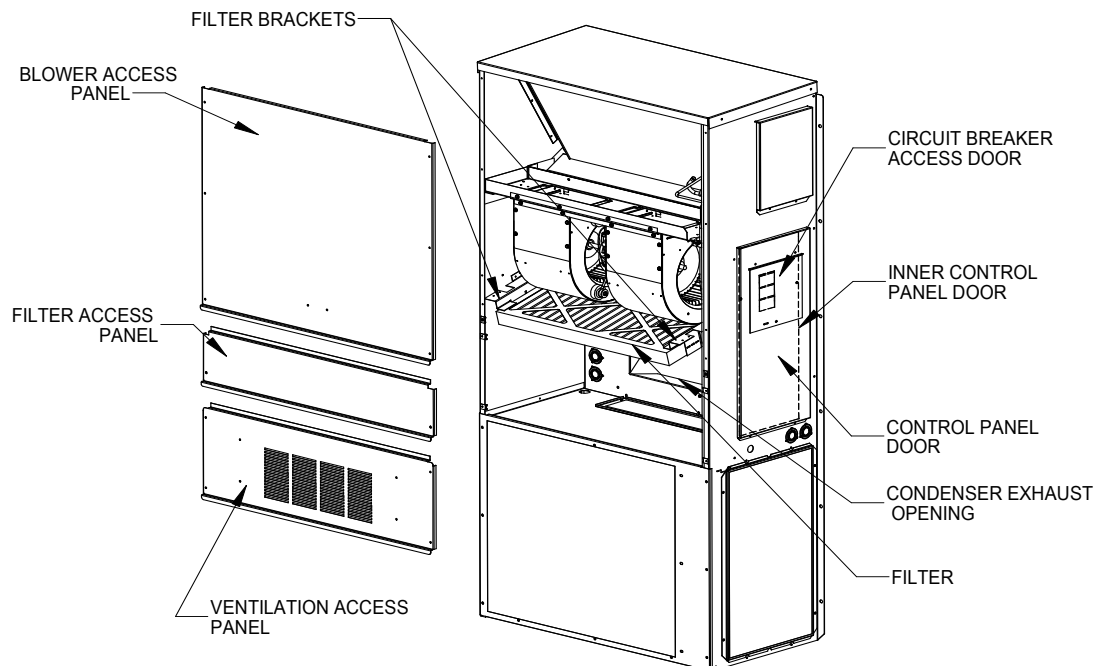
1. Disconnect power to unit.
2. Unpack the economizer assembly, which includes the integral economizer with attached electrical harness, harness extension for left-hand units, mixed air sensor, body panels, filter brackets, blank off plate, miscellaneous hardware and installation instructions (see Figure 1).
3. From existing wall mount unit, remove and save (or discard) as directed (see Figure 2):
  - Blower access panel and screws (save)
  - Ventilation access panel (discard)
  - Filter access panel (discard)

- Filter (save)
  - Outer and inner control panel doors and screws (save)
4. Remove and discard the exhaust cover plate from the bottom of the ventilation cavity as shown in Figure 3).

**FIGURE 1**  
**Economizer Assembly**



**FIGURE 2**  
**Wall Mount Unit Access Panels**



**FIGURE 3**  
**Exhaust Cover Plate**

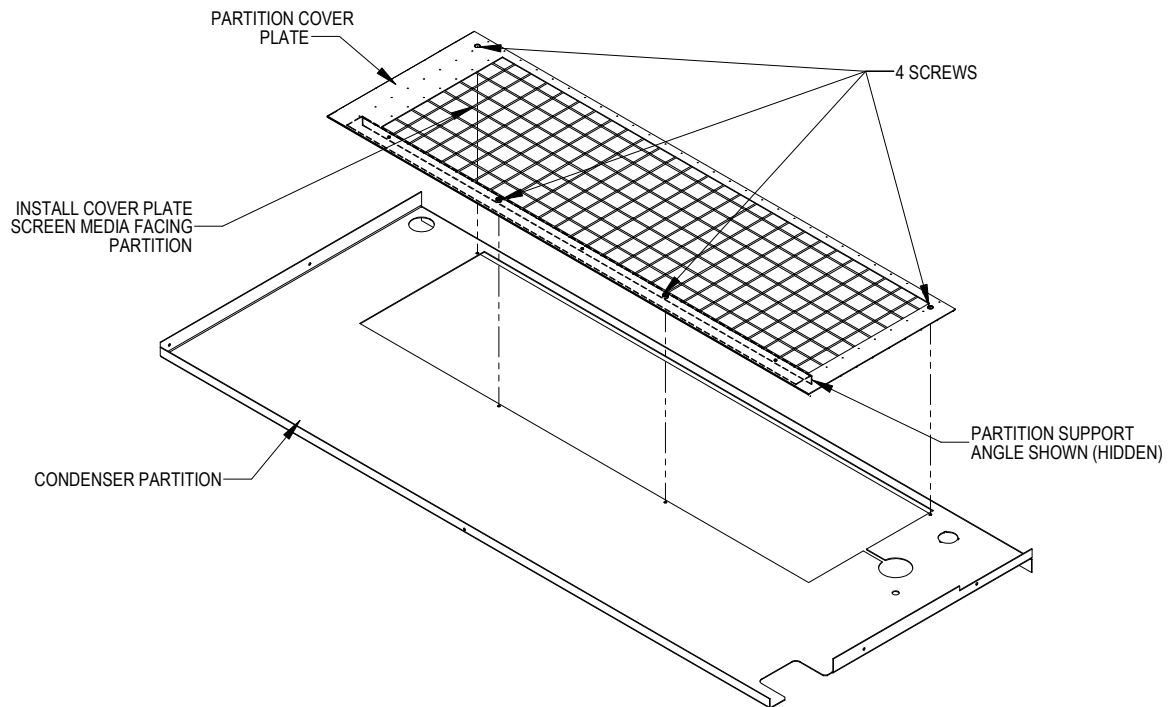


5. Install new condenser exhaust plate with screen over opening into condenser section with lip facing down as shown in Figure 4. See also Figure 5.

**FIGURE 4**  
**New Condenser Exhaust Plate with Screen Installation**

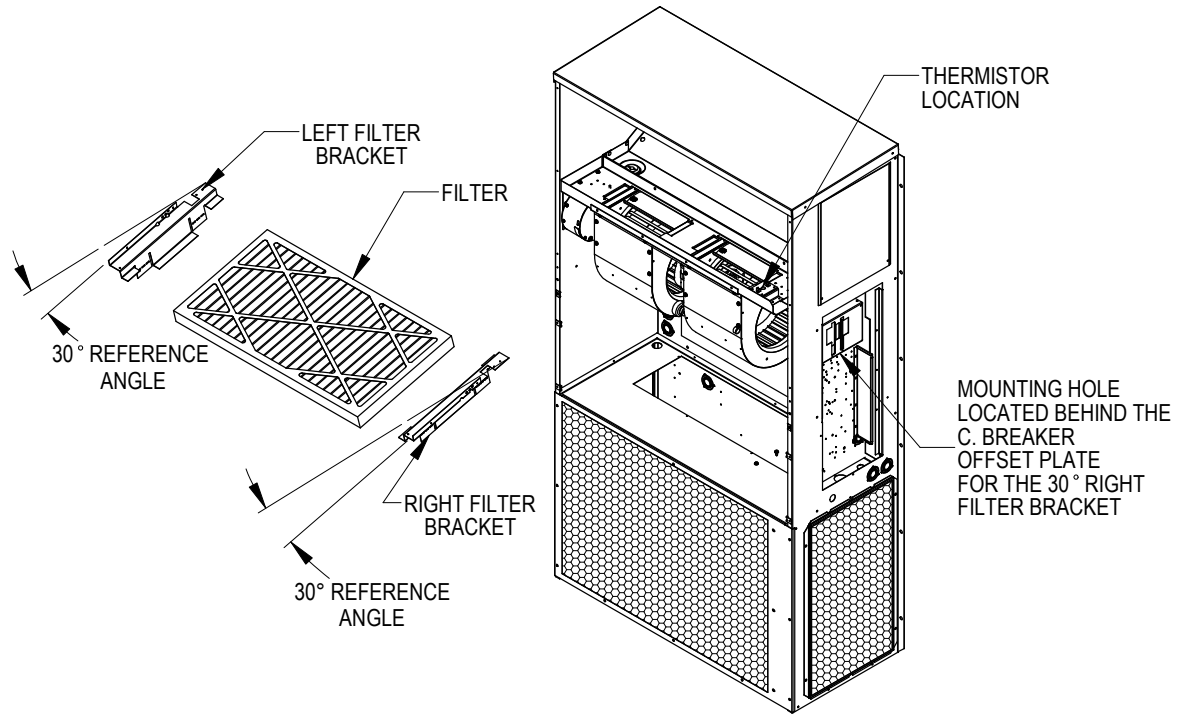


**FIGURE 5**  
**Condenser Exhaust Plate with Screen**



6. Verify what type of filter racks are in the unit (angled at 30° or straight) as show in Figure 6. If angled, remove and replace with the brackets included with kit (see Figure 7). Install filter rack blanks as shown in Figure 8.

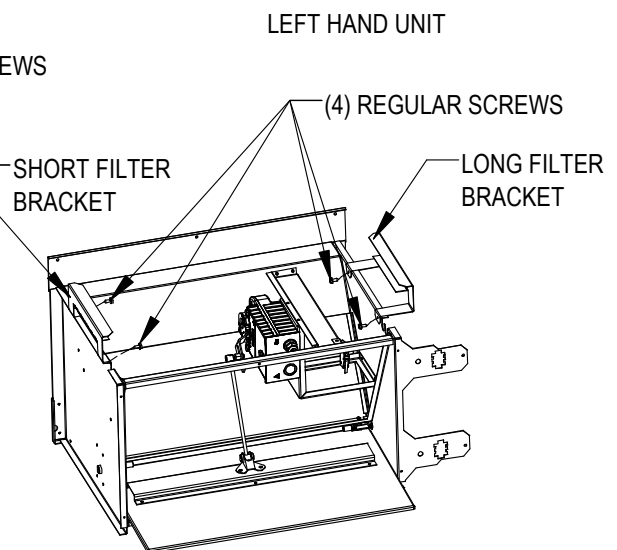
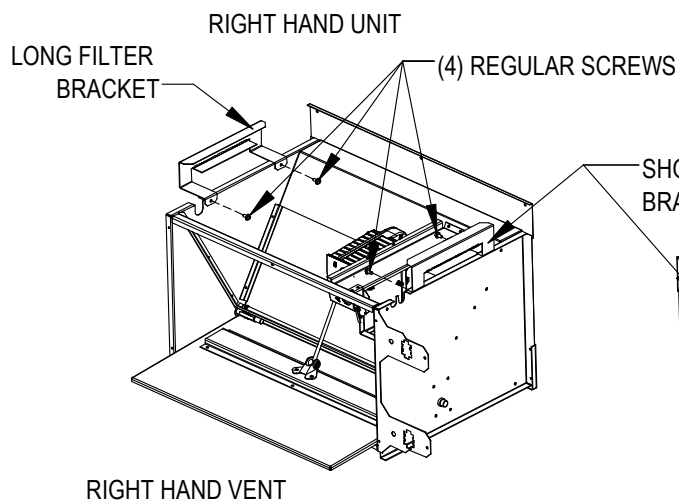
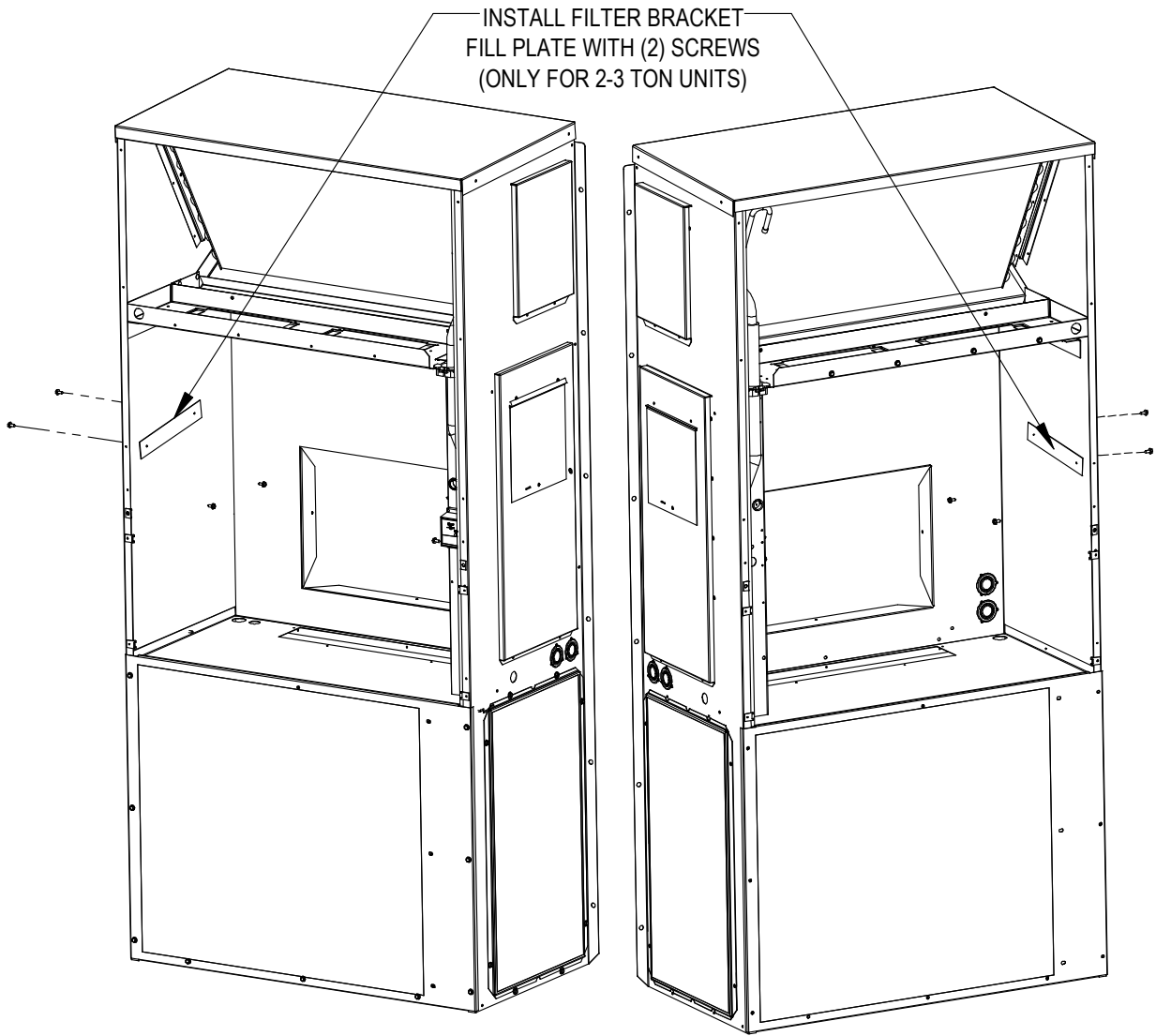
**FIGURE 6**  
**Filter and Filter Brackets**



**FIGURE 7**  
**Filter Brackets Included with Economizer Assembly**



**FIGURE 8**  
**Filter Bracket and Filter Bracket Fill Plate Installation**



MIS-3814

### Outdoor Air Sensor Installation

1. Remove and save both side grilles and screws.
2. Install the outdoor temperature sensor (temperature only or enthalpy) in the lower condenser section on the side opposite the compressor utilizing the screws provided. **NOTE:** *The tip of the sensor should protrude below the unit base as shown in Figure 9.*

**FIGURE 9**  
**Outdoor Air Sensor Installation**



**Temperature Only**



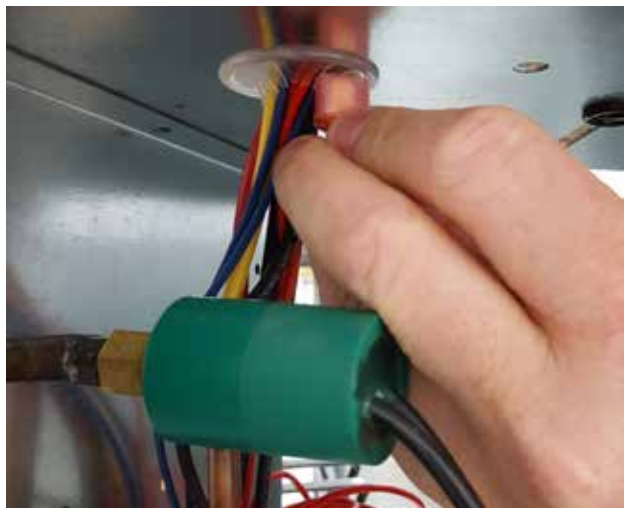
**Enthalpy**

3. Route the wire harness across the back of the unit and secure with two wire ties (provided) as shown in Figure 10. Push harness up through the grommet in the bottom of the control panel (Figure 11). Secure with wire ties (provided) to the other wires in the grommet. Ensure the wire harness cannot contact moving parts or copper tubing. Replace side grilles.

**FIGURE 10**  
**Wire Harness Secured to Back of Unit**



**FIGURE 11**  
**Wire Harness Through Grommet**



## Economizer Installation

1. Locate 12-pin female low voltage terminal board wire harness with spade connectors. Pull wires gently through the lower grommet located in front of control panel so that the low voltage wires protrude underneath the unit terminal board (see Figure 12).

**FIGURE 12**  
Low Voltage Wire Harness Pulled Through Grommet



2. Connect all low voltage leads to the terminal board of wall mount unit as required according to installed equipment and controls. See wiring diagrams found in Figures 20-25 on pages 12-17.
3. Insert economizer into opening in wall unit between the filter rack (if not removed earlier) and condenser section, being careful not to tear unit insulation. Fully seat economizer assembly to the rear of the wall unit cavity. Slide economizer to right and line up with return air opening in back of wall unit. Tabs on right side should line up with the unit side as shown in Figure 13.
4. Route the two orange wires along refrigerant lines behind the filter bracket (if applicable). Use a screwdriver to remove the rubber knockout to get through the blower partition (see Figure 14).

**FIGURE 13**  
Economizer Inserted into Opening



**FIGURE 14**  
Orange Wires Routed Along Refrigerant Lines

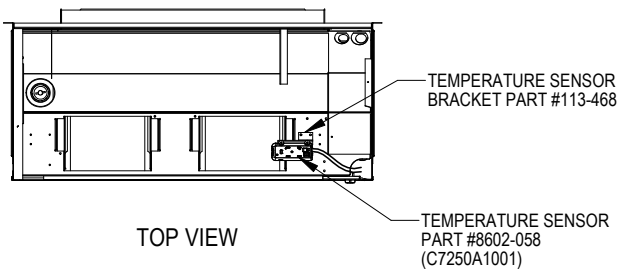


5. Install the mixed air temperature sensor and bracket in blower partition (see Figures 15 and 16). Remove the shield to aid in mounting the sensor (replace after mounting sensor). Insert white, two-pin sensor plug into sensor housing. Coil excess orange wires and wire tie to suction/discharge line. **NOTE:** Mixed air temperature sensor uses front two mounting holes in bracket for the 1.5 through 3 ton units.

**FIGURE 15**  
Mixed Air Temperature Sensor



**FIGURE 16**  
Mixed Air Temperature Sensor Location



TOP VIEW

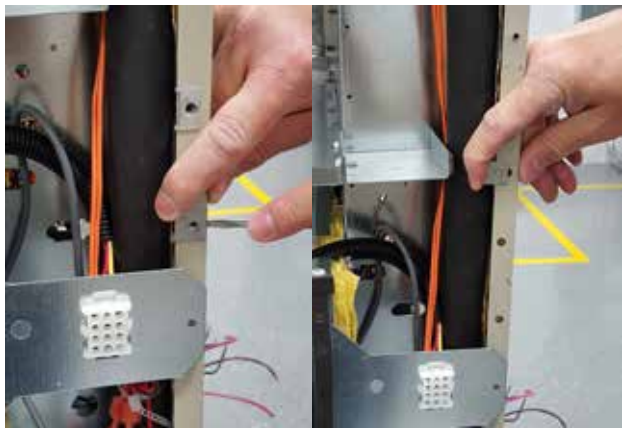
MIS-3622

6. Run black and red wires from economizer upper 12-pin wiring harness through grommet and other bushing into the control panel and connect to the black and red wire sensor wires (see Figure 17). Wrap and wire tie the excess wire.
7. Remove front door, control door and mist eliminator from economizer hood assembly.
8. Move Tinnerman nut up one hole on both sides of the economizer as shown in Figure 18. Lift economizer hood to unit and hold in position. Line up four (4) holes in outer economizer hood door

**FIGURE 17**  
Mixed Air Temperature Sensor Wires



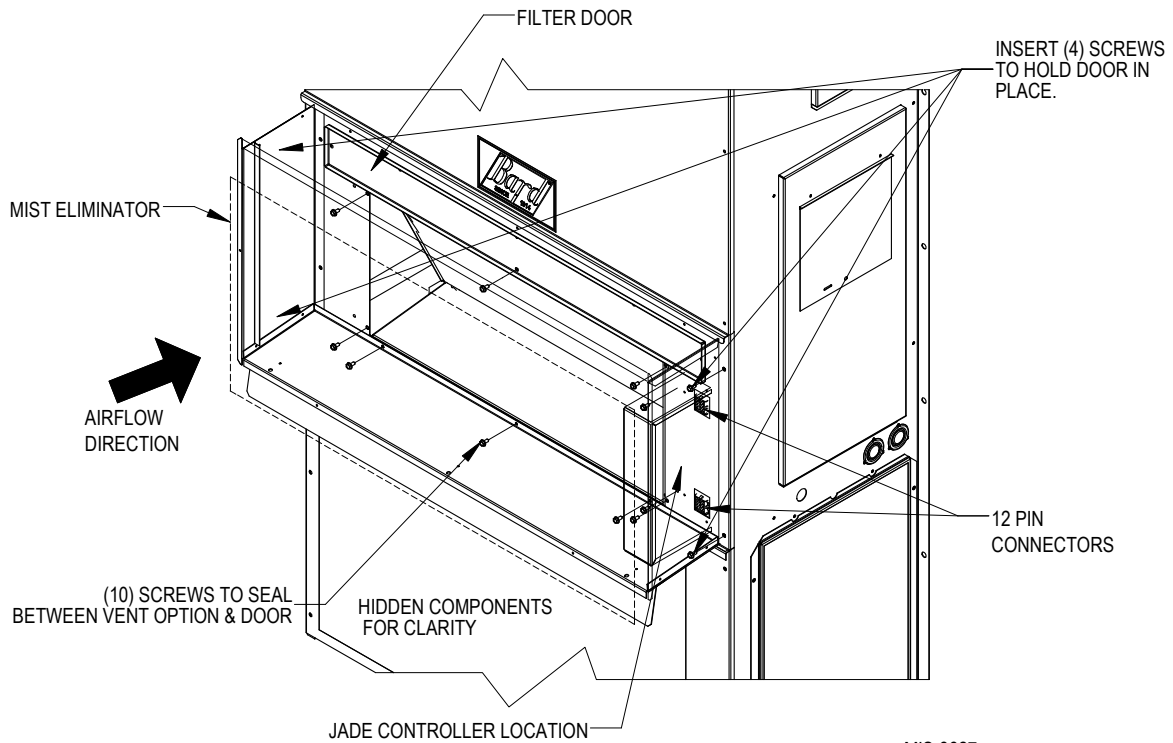
**FIGURE 18**  
Timmerman Nut Relocation



(two on each side) with corresponding holes in unit and mount economizer hood to unit with four (4) screws.

9. Connect vent option front to vent hood door (see Figure 19) using ten (10) screws (supplied).
10. Connect economizer upper and lower 12-pin wiring connectors to 12-pin wiring connectors inside economizer control.
11. Re-insert filter into filter brackets. **Arrow on filter should point up.**
13. Attach blower access panel. For R22 units, attach additional panel.

**FIGURE 19**  
**Vent Option Door Installation**



### Economizer Checkout

Since observation of motor/damper operation is difficult after air hood installation, it is recommended the unit be enabled for start-up now. If no power is available, or if immediate start-up is not desired, continue with the basic installation process (see Step 4 below). **The air hood assembly can be partially disassembled at a later time for start-up/checkout procedures.**

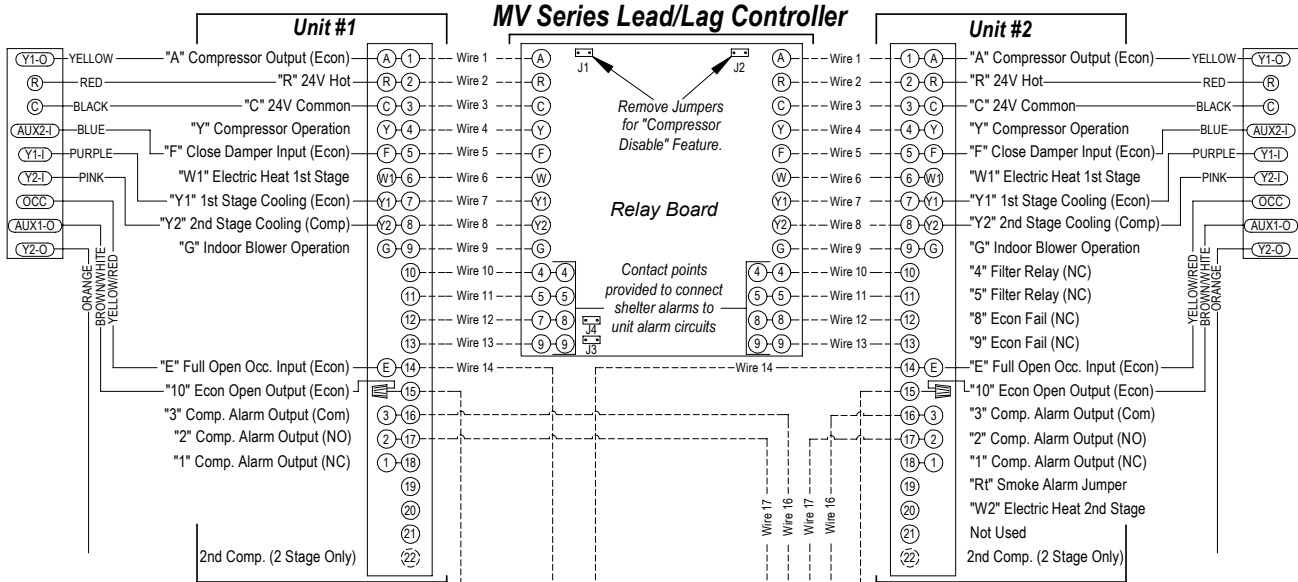
1. Attach wall unit outer and indoor control panel doors.
2. Turn power to unit on.
3. Complete economizer checkout using economizer control touchpad (see **CHECKOUT** on page 20).
4. After confirming economizer operation, attach the economizer hood mist eliminator (with airflow arrow pointed towards unit), control door and front door.

### CONTROL WIRING CONNECTION DIAGRAMS

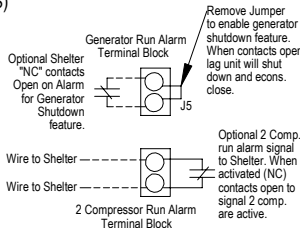
The control wiring diagrams on the following pages represent typical control wiring for shelter controllers utilizing a LEAD/LAG set up. If thermostats other than those referenced are used, the installer must verify output functions accordingly.

For dual unit installation utilizing lead/lag controller systems, complete details are contained in MC4001 Series Lead/Lag Controller installation manual 2100-614. For operation with MV5000 lead/lag controller, see installation manual 2100-636.

**FIGURE 20**  
**MV5000-BC Controller with Alarm Board and Communication Board**  
**1- or 2-Stage Air Conditioners with EWM Series Economizers**



NOTE: FOR 2 STAGE UNIT  
CONNECT ORANGE WIRE  
WITH WIRE NUT TO CONTROL  
WIRE FROM MV ON TERMINAL 22  
(FOR BOTH UNITS)



**Installer Notes:**

Compressor Fail Alarm feature requires "J" Control module in Wall Mount Units.

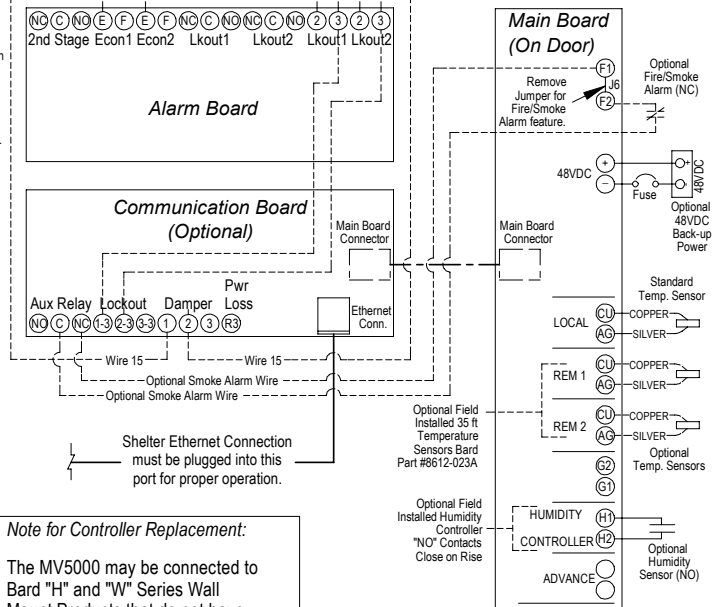
Jade controller in economizer must be set to a minimum position of 10V to work as 100% open for emergency ventilation.

All Sensors are polarity sensitive. Copper leads on sensors must connect to "CU" terminals and silver leads on sensors must connect to "AG" terminals.

DC back-up power is polarity sensitive and must be connected as shown or controller will not operate on DC power only.

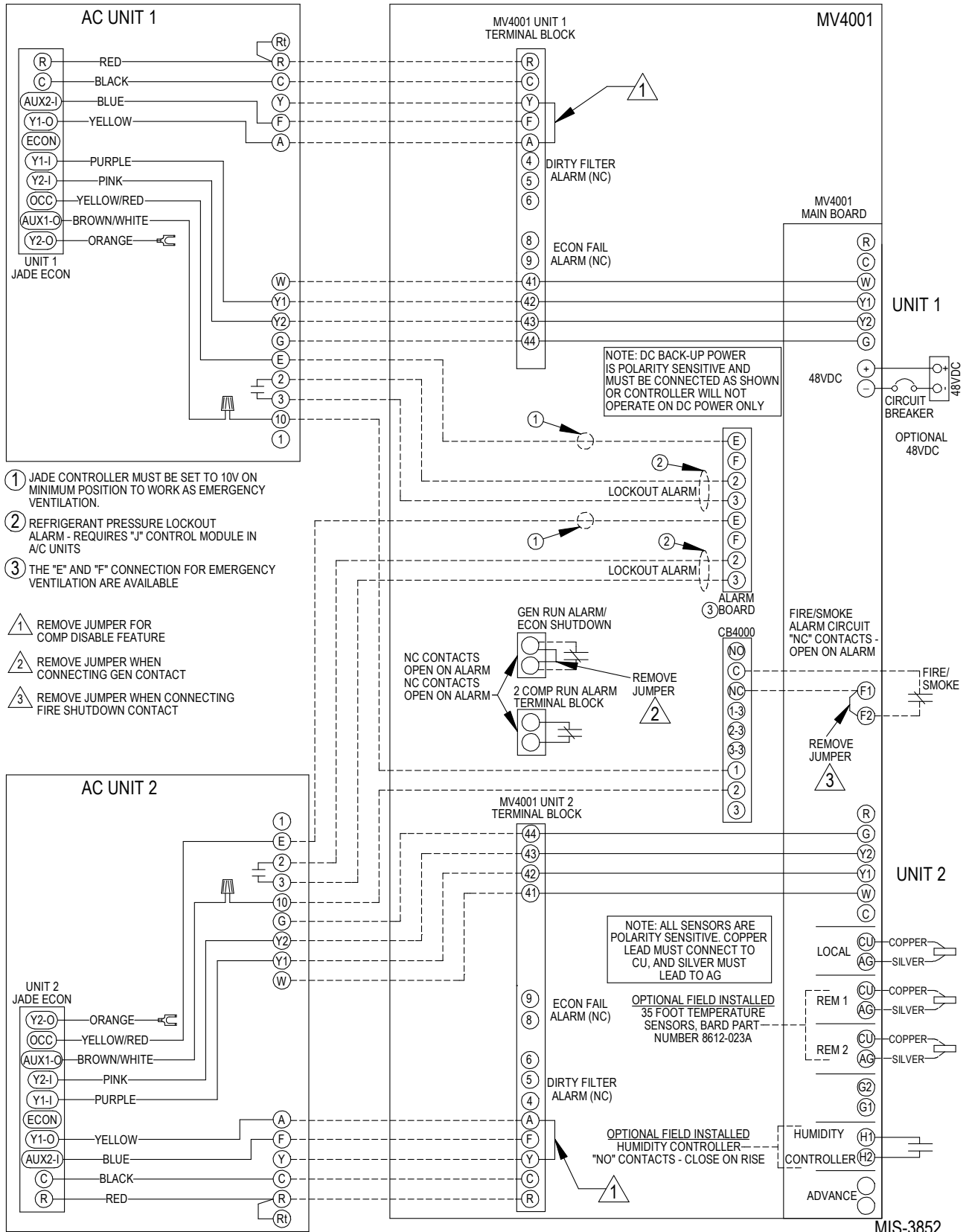
**Note for Controller Replacement:**

The MV5000 may be connected to Bard "H" and "W" Series Wall Mount Products that do not have the 21 Terminal Block low voltage terminal connections. Refer to terminal designations in " " for unit connections.



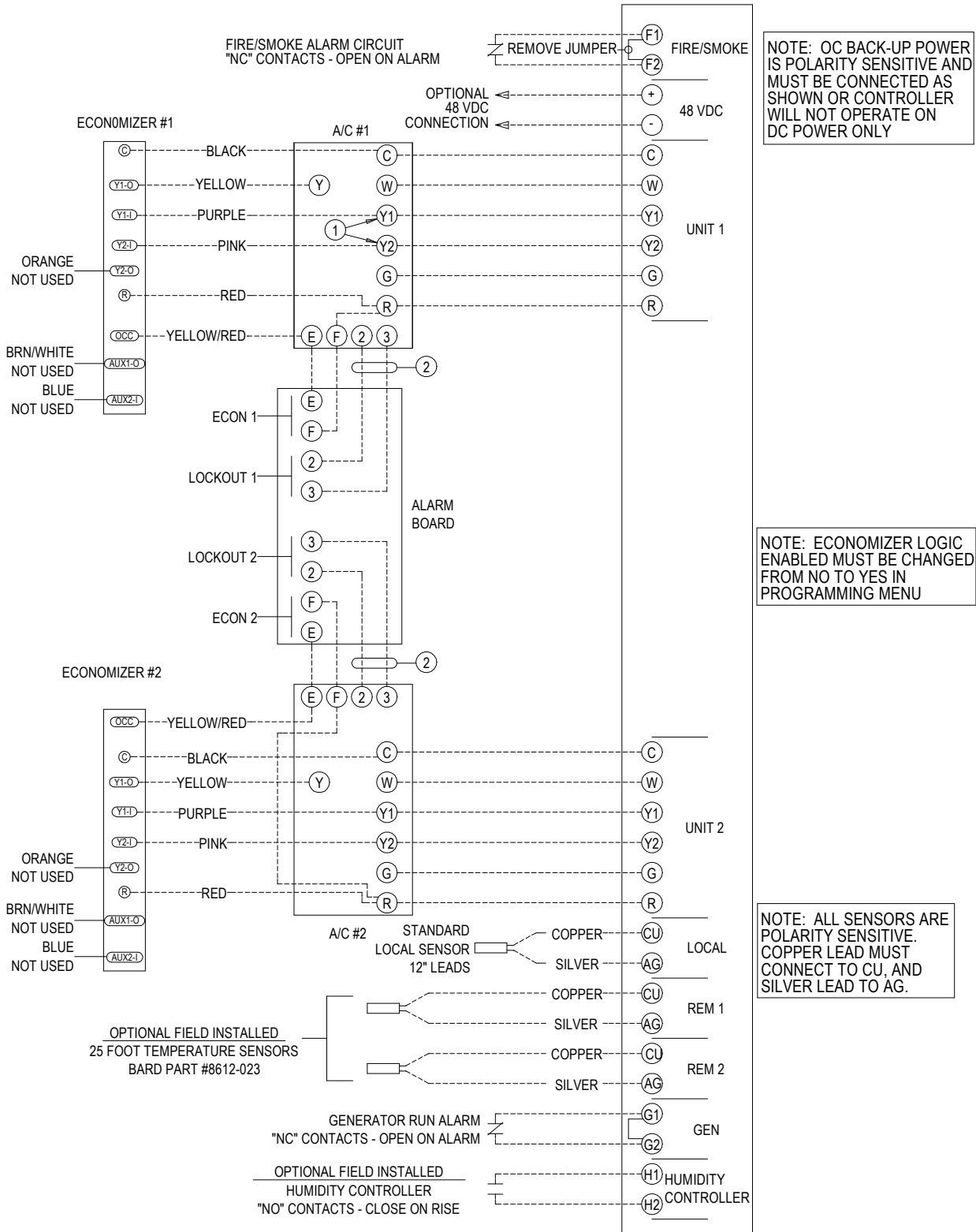
MIS-3851 A

**FIGURE 21**  
**MV4001-BC Controller with Alarm Board and CB4000 Communication Board**  
**1-Stage Air Conditioners with EWM Series Economizers**



MIS-3852

**FIGURE 22**  
**MC3000 Controller with Alarm Board**  
**1-Stage Air Conditioners with EWM Series Economizers**

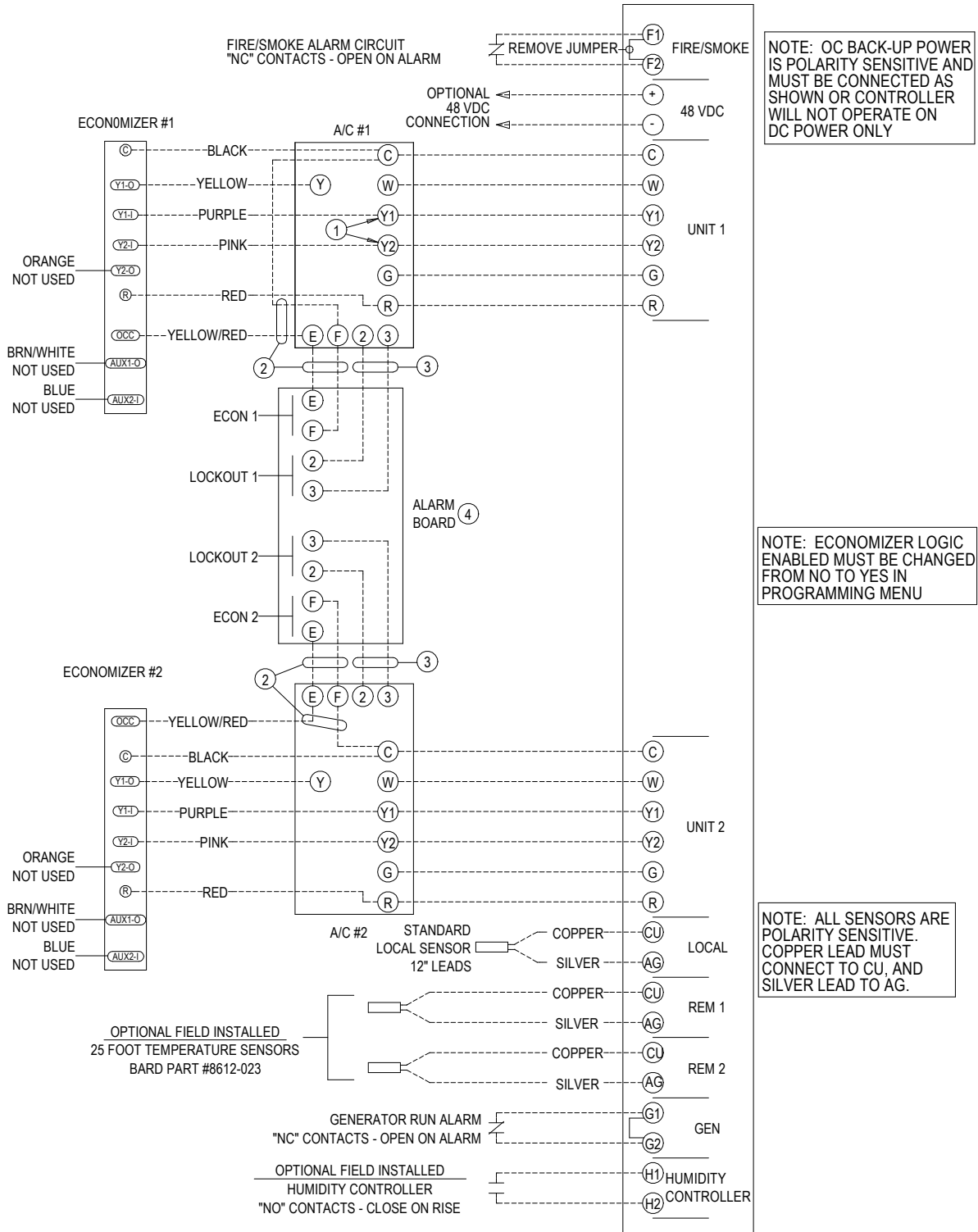


① Y1 AND Y2 MAY NOT BE ON TERMINAL BOARD, USE WIRE NUTS.

② REFRIGERANT PRESSURE LOCKOUT ALARM - REQUIRES "J" CONTROL MODULE IN A/C UNITS.

MIS-3854

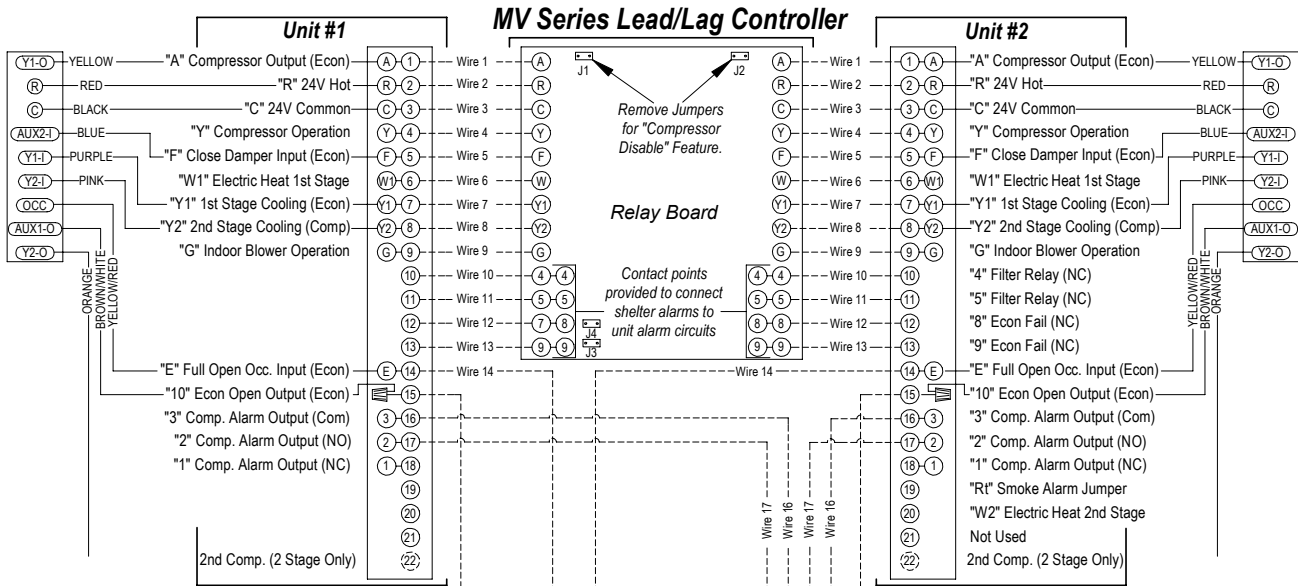
**FIGURE 23**  
**MC3000 Controller with Alarm Board**  
**1-Stage Air Conditioners with EWM Series Economizers**  
**(When Emergency Ventilation on High Temp Alarm is Required)**



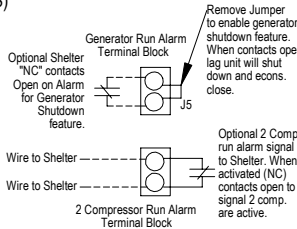
- ① Y1 AND Y2 MAY NOT BE ON TERMINAL BOARD, USE WIRE NUTS.
- ② CONNECT E AND F IF EMERGENCY VENTILATION ON HIGH TEMP ALARM CONDITION IS DESIRED.
- ③ REFRIGERANT PRESSURE LOCKOUT ALARM - REQUIRES "J" CONTROL MODULE IN A/C UNITS.
- ④ THE "E" AND "F" CONNECTIONS FOR EMERGENCY VENTILATION ARE AVAILABLE ONLY ON THE -B ALARM BOARD.

MIS-3853

**FIGURE 24**  
**MV5000-BC6 Controller With Alarm Board and Communication Board**  
**1-or 2-Stage Air Conditioners with EWM Series Economizers**



NOTE: FOR 2 STAGE UNIT  
CONNECT ORANGE WIRE  
WITH WIRE NUT TO CONTROL  
WIRE FROM MV ON TERMINAL 22  
(FOR BOTH UNITS)



**Installer Notes:**

Compressor Fail Alarm feature requires "J" Control module in Wall Mount Units.

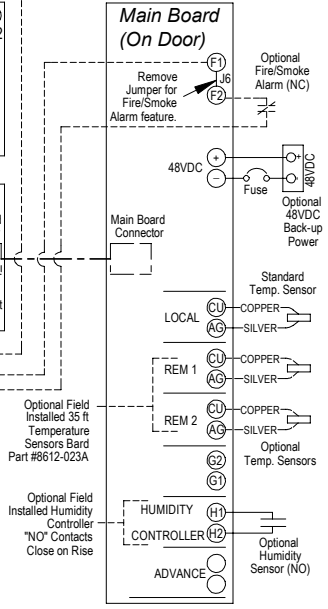
Jade controller in economizer must be set to a minimum position of 10V to work as 100% open for emergency ventilation.

All Sensors are polarity sensitive. Copper leads on sensors must connect to "CU" terminals and silver leads on sensors must connect to "AG" terminals.

DC back-up power is polarity sensitive and must be connected as shown or controller will not operate on DC power only.

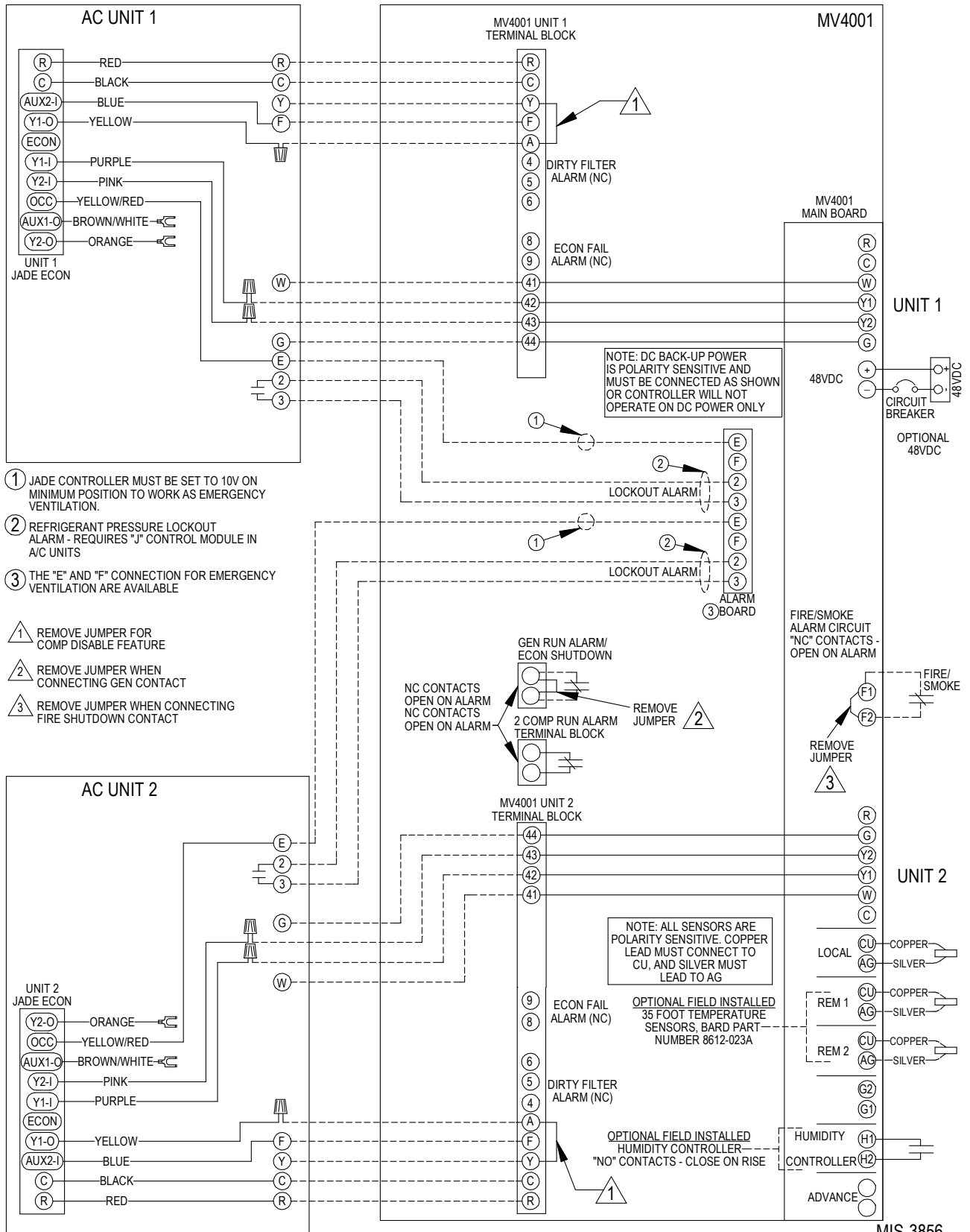
**Note for Controller Replacement:**

The MV5000 may be connected to Bard "H" and "W" Series Wall Mount Products that do not have the 21 Terminal Block low voltage terminal connections. Refer to terminal designations in " " for unit connections.



MIS-3855 A

**FIGURE 25**  
**MV4001-B Controller with Alarm Board and CB4000 Communication Board**  
**1-Stage Air Conditioners with EWM Series Economizers**



MIS-3856

# START-UP/CHECKOUT PROCEDURES

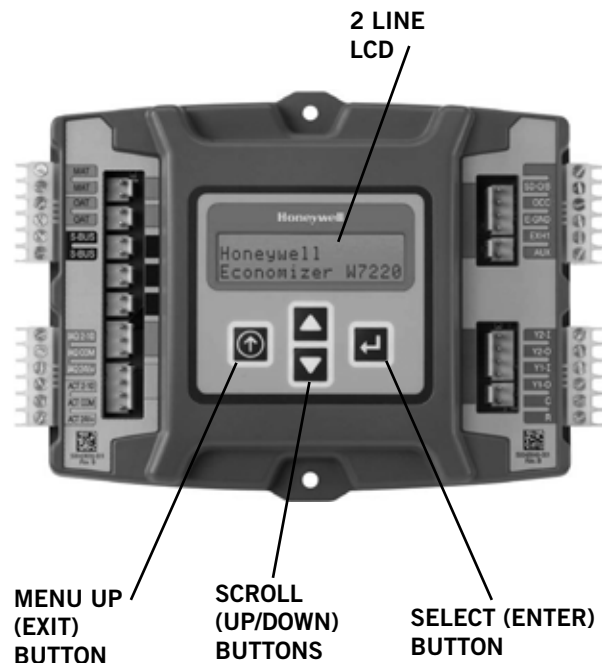
## JADE™ ECONOMIZER CONTROLLER

W7220 controller offers unparalleled flexibility and expansion in a dependable and solid electronic platform.

- Multiple economizer applications from one controller.
- Nearly limitless customization of setpoints.
- Internal checkout menu provides fast performance assessment.
- Alarms menu provides assistance in troubleshooting.

**Memory:** User-defined setpoints remain in non-volatile flash memory regardless of electrical outage duration. Control voltage below 18V may cause erratic performance.

**FIGURE 26**  
**JADE™ Economizer Controller**



From the factory, the JADE™ economizer controller has been preset with “default” values that were pre-determined as optimum for equipment buildings, and these are shown in Tables 2 – 4. However, it is important to review and/or customize these operational values per owner specifications in order to guarantee satisfactory performance.

If installed in an H Series unit, the “default” settings for “**DRYBLB SET**” and “**MIN POS**” will need to be changed to the values listed in Table 5 (see page 20).

The installing contractor can easily access the JADE™ programming by the integral keypad and LCD display.

There are six (6) basic MENU categories to navigate:

1. **STATUS** – provides real-time access to sensor input, damper and equipment operation.
2. **SETPOINTS** – customizable operational parameters.
3. **SYSTEM SETUP** – customizable application programming (see Review/Customize System Setup).
4. **ADVANCED SETUP** – further application and operational options.
5. **CHECKOUT** – instantly activate and verify economizer functions.
6. **ALARMS** – displays alarms and pinpoints problem areas.

### Review/Customize System Setup

Before being placed in service, the JADE™ economizer controller programming should be reviewed/customized through the following steps:

1. **SYSTEM SETUP:** from the main screen, press the **SCROLL (UP/DOWN) BUTTONS** to navigate through the six (6) basic menu items to the **SYSTEM SETUP** menu.
  - Push the **SELECT (ENTER) BUTTON** to choose the **SYSTEM SETUP** menu.
  - Navigate through the multiple levels of **SYSTEM SETUP** by pushing the **SCROLL (UP/DOWN) BUTTONS**.
  - To change a specific parameter in the **SYSTEM SETUP** menu, press the **SELECT (ENTER) BUTTON** to display its current value. Press the **SCROLL (UP/DOWN) BUTTONS** to change or increase/decrease value. Press the **SELECT (ENTER) BUTTON** to save the new customized value — “**CHANGE STORED**” will be displayed. Press the **SELECT (ENTER) BUTTON** again to return to current menu parameter.
  - For specific **SYSTEM SETUP** level information, refer to **Table 2**.

**NOTE:** During an extended level of inactivity, the display of the JADE™ economizer controller will begin to automatically scroll through the various levels of the STATUS menu as a screensaver. Each level will stay for approximately 5 seconds before changing to the next level.

**TABLE 2**  
**System Setup Menu Levels**

Menu Level	Default Value	Range	Notes
INSTALL	01/01/10		Display Order = MM/DD/YY Setting Order = DD/MM/YY
UNITS DEG	°F	°F / °C	Sets controller to read in either measurements
EQUIPMENT	HP(B)	HP	Heat Pump HP * CONV = A/C
AUX IN	HP(B)	HP(O) HP(B)	Energize on Cool * Energize on Heat
FAN SPEED	1 Speed	1 Speed 2 Speed	
FAN CFM	5000	100 to 15000	Not applicable
AUX OUT	EXH2	NONE ERV EXH2 SYS	Product can be used to signal other devices
OCC	INPUT	INPUT or ALWAYS	INPUT is for dedicated OCC signal, ALWAYS is for all other situations
FACTORY DEFAULT	NO	YES or NO	Resets to factory defaults if changed to YES

\* In SYS SETUP, the correct Equipment setting is HP and for the AUX2 IN is HP (B) in all applications. This is correct for both air conditioner and heat pump equipment in order to have correct operating sequences for the economizers. DO NOT change to CONV = A/C setting just because the equipment is an air conditioner and not a heat pump.

2. **ADVANCED SETUP:** from the main screen, press the **SCROLL (UP/DOWN) BUTTONS** to navigate through the six (6) basic menu items to the **ADVANCED SETUP** menu.

- Push the **SELECT (ENTER) BUTTON** to choose the **ADVANCED SETUP** menu.
- Navigate through the multiple levels of **ADVANCED SETUP** by pushing the **SCROLL (UP/DOWN) BUTTONS**.
- To change a specific parameter in the **ADVANCED SETUP** menu, press the **SELECT (ENTER) BUTTON** to display its current value. Press the **SCROLL (UP/DOWN) BUTTONS** to change or increase/decrease value. Press the **SELECT (ENTER) BUTTON** to save the new customized value — “CHANGE STORED” will be displayed. Press the **SELECT (ENTER) BUTTON** again to return to current menu parameter.
- For specific **ADVANCED SETUP** level information, refer to **Table 3**.

**TABLE 3**  
**Advanced Setup Menu Levels**

Menu Level	Default Value	Range	Notes
MA LOW SET	45°F	35-55°	Temp to activate freeze protection — Close Damper
FREEZE POS	CLO	CLO or MIN	Damper position upon freeze protection
STG3 DLY	15 MIN	0 to 4.0h or OFF	Delay for 3rd Stage Cooling – allows for 3 stages of cooling, one stage for econ & two stages for compressor
DMPR POS	CLO	CLO or OPN	Where damper goes upon shutdown signal
MA T CAL	0.0°F	+/-2.5°F from actual reading	Mixed Air Sensor temperature calibration
OA T CAL	0.0°F	+/-2.5°F from actual reading	Outdoor Air Sensor temperature calibration
OAS H CAL	0%	+/-10% from actual reading	Outdoor Air Humidity Sensor calibration for economizers using temp/humidity sensor

3. **SETPOINTS:** from the main screen, press the **SCROLL (UP/DOWN) BUTTONS** to navigate through the six (6) basic menu items to the **SETPOINTS** menu.

- Push the **SELECT (ENTER) BUTTON** to choose the **SETPOINTS** menu.
- Navigate through the multiple levels of **SETPOINTS** by pushing the **SCROLL (UP/DOWN) BUTTONS**.
- To change a specific parameter in the **SETPOINTS** menu, press the **SELECT (ENTER) BUTTON** to display its current value. Press the **SCROLL (UP/DOWN) BUTTONS** to change or increase/decrease value. Press the **SELECT (ENTER) BUTTON** to save the new customized value — “CHANGE STORED” will be displayed. Press the **SELECT (ENTER) BUTTON** again to return to current menu parameter.
- For specific **SETPOINTS** level information, refer to **Table 4** on page 20.
- For H Series unit **SETPOINTS** level information, refer to **Table 5** on page 20.

**TABLE 4  
Setpoints Menu Levels**

Menu Level	Default Value	Range	Notes
MAT SET	53°F	38°F to 65°F	Mixed Air Temperature setpoint at which the economizer damper will begin to modulate to maintain setting
LOW T LOCK	0°F	-45°F to 80°F	Low outdoor ambient temperature for compressor lockout
DRYBLB SET	60°F	48°F to 80°F	Maximum outdoor temperature setting for “free” economizer cooling
ENTH CURVE	ES3	ES1, ES2, ES3, ES4 or ES5	Enthalpy boundary “curves” for economizers using temp/humidity sensor, see “Enthalpy Settings” explanation
MIN POS	2V	2 to 10 VDC	Actuator voltage for Minimum Position – see Minimum Position vent setup note below
EXH1	50%	0 to 100%	Setpoint for damper if exhaust fan is powered by economizer
EXH2	6%	0 to 100%	Setpoint for AUX output signal

**TABLE 5  
H Series Setpoints Menu Levels\***

Menu Level	Default Value	Range	Notes
MAT SET	53°F	38°F to 65°F	Mixed Air Temperature setpoint at which the economizer damper will begin to modulate to maintain setting
LOW T LOCK	0°F	-45°F to 80°F	Low outdoor ambient temperature for compressor lockout
DRYBLB SET	70°F	48°F to 80°F	Maximum outdoor temperature setting for “free” economizer cooling
ENTH CURVE	ES3	ES1, ES2, ES3, ES4 or ES5	Enthalpy boundary “curves” for economizers using temp/humidity sensor, see “Enthalpy Settings” explanation
MIN POS	10V	2 to 10 VDC	Actuator voltage for Minimum Position – see Minimum Position vent setup note below
EXH1	50%	0 to 100%	Setpoint for damper if exhaust fan is powered by economizer
EXH2	6%	0 to 100%	Setpoint for AUX output signal

\* For DRYBLB SET and MIN POS, change default setting to value shown

**MINIMUM POSITION NOTE:** Minimum position setting has been preset to 10V which when connected to MC4001 Lead/Lag Controller System will allow economizer to drive wide open per emergency ventilation strategy as detailed in MC4001 Instructions. This may require resetting to a lower value per job specifications.

**NOTE:** At this point, the economizer assembly should be fully functional and ready for preliminary testing.

4. **CHECKOUT:** from the main screen, press the **SCROLL (UP/DOWN) BUTTONS** to navigate through the six (6) basic menu items to the **CHECKOUT** menu.

- Push the **SELECT (ENTER) BUTTON** to choose the **CHECKOUT** menu.
- Navigate through the multiple levels of **CHECKOUT** by pushing the **SCROLL (UP/DOWN) BUTTONS**.
- To perform a specific test in the **CHECKOUT** menu, press the **SELECT (ENTER) BUTTON** to choose a particular exercise, “**RUN?**” will appear. Press the **SELECT (ENTER) BUTTON** again to activate this exercise. After a short pause, “**IN PROGRESS**” will appear as the test activates. “**DONE**” will display after the test is complete. Press the **MENU UP (EXIT) BUTTON** to end the test and/or turn off the activated relay.
- For specific **CHECKOUT** level information, refer to **Table 6**.

**TABLE 6  
Checkout Menu Levels**

Menu Level	Notes
DAMPER VMIN-HS	Positions damper to the minimum amount of opening allowed by actuator
DAMPER VMAX-HS	Opens damper to the MIN POS level indicated in the <b>SETPOINTS</b> menu. See Minimum Position Ventilation Setup Procedure (Pg. 16)
DAMPER OPEN	Forces damper to full open position, energizes exhaust contacts
DAMPER CLOSE	Positions damper to completely closed position
CONNECT Y1-0	Forces Y1-OUTPUT to compressor
CONNECT Y2-0	Forces Y2-OUTPUT to compressor
CONNECT AUX	Depending upon AUX OUT setting from <b>SETUP</b> menu: NONE – no action ERV – 24VAC out for ERV & NOT Economizer SYS – 24VAC out for alarm

**NOTE: CHECKOUT** functions bypass the normal 5-minute delay for compressor protection. Be sure to allow for enough time to pass between tests so the compressor is not damaged from extreme short-cycling.

**NOTE:** Economizer assembly should be ready to put into service. At any point during operation, in economizer mode or idle, real-time information from sensors and integral components can be accessed from the **STATUS** menu.

5. **STATUS:** from the main screen, press the **SCROLL (UP/DOWN) BUTTONS** to navigate through the six (6) basic menu items to the **STATUS** menu.

- Push the **SELECT (ENTER) BUTTON** to choose the **STATUS** menu.
- Navigate through the multiple levels of **STATUS** by pushing the **SCROLL (UP/DOWN) BUTTONS**.
- As the **STATUS** menu simply gives input/output information in real-time, there is no way to change or otherwise alter the displayed criteria. It is simply a window into the operation of the economizer controller.
- For specific **STATUS** level information, refer to **Table 7**.

**NOTE:** Upon power-up (or after power failure or low voltage condition), the controller will begin a 5-minute time delay before enabling mechanical cooling.

**TABLE 7**  
**Status Menu Levels**

Menu Level	Default Value	Notes
ECON AVAIL	YES/NO	Indicates if conditions are favorable for economizing
ECONOMIZING	YES/NO	Indicates if economizer is actively economizing
OCCUPIED	YES/NO	Indicates if dedicated 24V occupied signal is being received on terminal OCC
HEAT PUMP	COOL/HEAT	Displays actual compressor use if in HEAT PUMP mode
COOL Y1-IN	ON/OFF	Indicates if 24V signal is being received on terminal Y1-I
COOL Y1-OUT	ON/OFF	Displays if controller is actively calling for mechanical compressor cooling (24V on Y1-O)
COOL Y2-IN	ON/OFF	Indicates if 24V signal is being received on terminal Y2-I
COOL Y2-OUT	ON/OFF	Displays if controller is actively calling for Stg. 2 cooling (24V on Y2-O)
MA TEMP	0° to 140°F	Current mixed air temp
OA TEMP	-40° to 140°F	Current outdoor air temp
OA HUM	0% to 100%	Current outdoor air humidity for economizers using temp/humidity sensor
DAMPER OUT	2.0 to 10.0	Displays voltage to actuator
ACT POS	0 to 100%	Current % of opening
ACT COUNT	N/A	Current count of actuator cycles from installation
ACTUATOR OK	YES/NO	Indicates potential fault
EXH1 OUT	ON/OFF	Output of EXH1 Terminal
MECH COOL ON	0, 1, or 2	Stages of mechanical cooling currently active

**NOTE:** If there are any potential problems recognized by the economizer controller, it may be registered in the form of an alarm in the **ALARM(S)** menu. If there is a period of inactivity AND there is an alarm registering, the controller will randomly scroll through the **ALARM(S)** menu items as a screensaver.

**ALARM(S):** from the main screen, press the **SCROLL (UP/DOWN) BUTTONS** to navigate through the six (6) basic menu items to the **ALARM(S)** menu.

- Push the **SELECT (ENTER) BUTTON** to choose the **ALARM(S)** menu.
- Navigate through the current alarms in **ALARM(S)** by pushing the **SCROLL (UP/DOWN) BUTTONS**.
- Once the alarm has been identified, and the cause has been removed (e.g. replaced faulty sensor), the alarm may erase itself. If a manual alarm-erasing is required, it can be cleared from the display by navigating to the desired alarm and pressing the **SELECT (ENTER) BUTTON** to choose that specific alarm. “ERASE?” will display. Press the **SELECT (ENTER) BUTTON** again. “ALARM ERASED” will appear. Press the **MENU UP (EXIT) BUTTON** to complete the action and return to the previous menu.
- For specific **ALARM(S)** information, refer to **Table 8**.

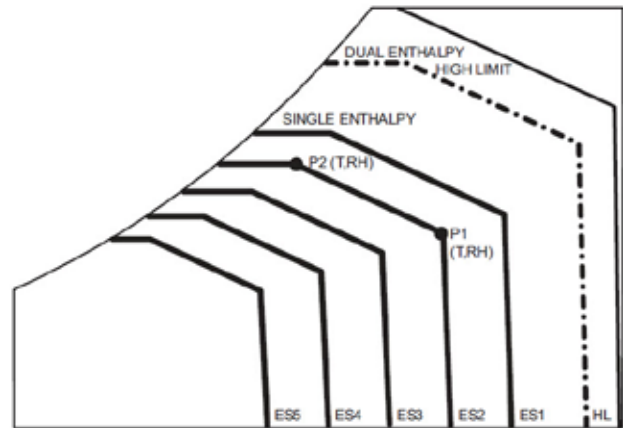
**TABLE 8**  
**Alarm Examples**

Alarm(s)	Notes
MA T SENS ERR	Malfunctioning mixed air sensor
OA T SENS ERR	Malfunctioning outdoor air sensor
ACT STALLED	Actuator cannot reach desired percentage of opening
SYS ALARM	If AUX is set to SYS in SETPOINTS menu, SYS will display upon any registered alarm
NOTE: This is not a complete list of alarms. Additional alarms will display depending upon the parameter settings and configuration and attached equipment.	

## ENTHALPY SETTINGS

If economizer is enthalpy-based, and was shipped with the temp/humidity sensor, the economizer must be programmed for the specific enthalpy curve boundary desired for “free” outdoor cooling. The available enthalpy boundaries are all subject to specific OA temperature, OA humidity, and OA dew points. If all of the OA conditions are below the specific points outlined in each boundary, the conditions are good to economize and economizer mode is set to “YES”. If some or all the OA conditions are above the specific points outlined in each boundary, the conditions are not good to economize and the economizer mode is set to “NO”.

**ES3 is Factory Default.**



Enthalpy Curve	Temp. Dry Bulb (°F)	Temp. Dewpoint (°F)	Enthalpy (btu/lb/da)	Point P1		Point P2	
				Temp. °F	Humidity %RH	Temp. °F	Humidity %RH
ES1	80.0	60.0	28.0	80.0	36.8	66.3	80.1
ES2	75.0	57.0	26.0	75.0	39.6	63.3	80.0
ES3	70.0	54.0	24.0	70.0	42.3	59.7	81.4
ES4	65.0	51.0	22.0	65.0	44.8	55.7	84.2
ES5	60.0	48.0	20.0	60.0	46.9	51.3	88.5
HL	86.0	66.0	32.4	86.0	38.9	72.4	80.3

## ECONOMIZER SEQUENCE OF OPERATION

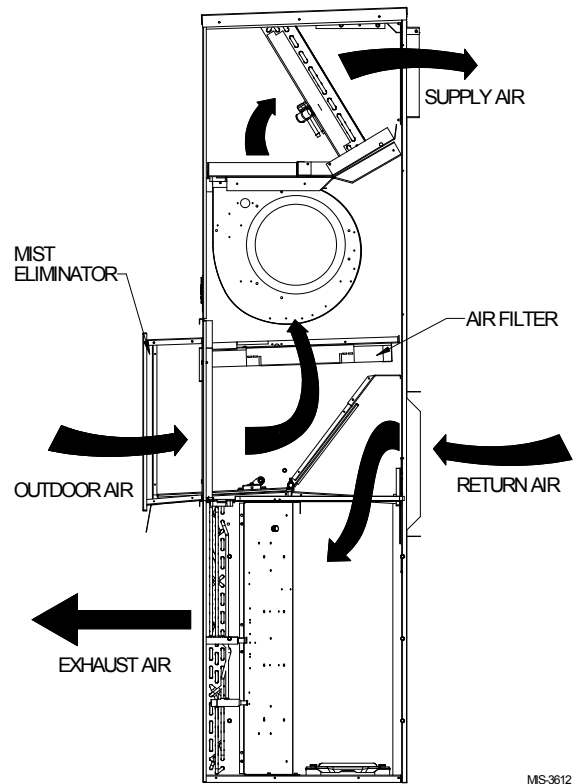
### Condition – Cool/Dry OA Conditions

- 1<sup>st</sup> Stage Cooling closes and sends signal to **JADE™** control. Since the air temperature outside is cooler than the preset **DRYBULB SET** setting, or is below the **ENTH CURVE** boundary in the **SETPOINTS** menu, the actuator will power the economizer damper to “economizer” mode as the indoor blower motor starts. The mixed air sensor senses a mixture of return air and cool outdoor air and modulates opening to achieve preset **MAT SET** setting in **SETPOINTS** menu. Compressor operation is inhibited (see Figure 27).
- 2<sup>nd</sup> Stage Cooling closes and sends a signal to **JADE™** control, which closes the Y1-O relay to begin mechanical cooling. **The economizer damper REMAINS OPEN in tandem operation with the compressor** as long as the OA conditions do not drop below the preset **DRYBULB SET/ENTH CURVE** settings in the **SETPOINTS** menu (see Figure 28).
- 3<sup>rd</sup> Stage Cooling (if available) closes and sends a signal to **JADE™** control, which closes the Y2-O relay to begin 2<sup>nd</sup> stage mechanical cooling. **The economizer damper REMAINS OPEN in tandem operation with the compressor** as long as the temperature outside does not drop below the preset **DRYBULB SET** setting in the **SETPOINTS** menu (see Figure 28).

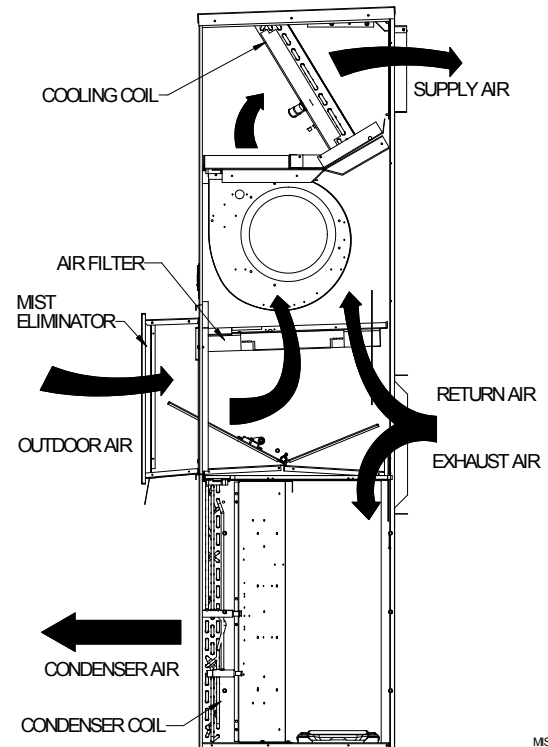
### Condition – Warm/Humid OA Conditions

- 1<sup>st</sup> Stage Cooling closes and sends signal to **JADE™** control. Since the OA conditions are above the preset **DRYBULB SET/ENTH CURVE** setting in the **SETPOINTS** menu, the control will simply close the Y1-O relay to initiate mechanical cooling. **The economizer damper will remain closed or in a minimum ventilation setting depending upon occupied status** (see Figure 29 on page 24).
- 2<sup>nd</sup> Stage Cooling (if available) closes and sends a signal to **JADE™** control. Since the OA conditions are still above than the preset **DRYBULB SET/ENTH CURVE** setting in the **SETPOINTS** menu, the control will simply close the Y2-O relay to initiate 2<sup>nd</sup> stage mechanical cooling. **The economizer damper will remain closed or in a minimum ventilation setting depending upon occupied status** (see Figure 29).

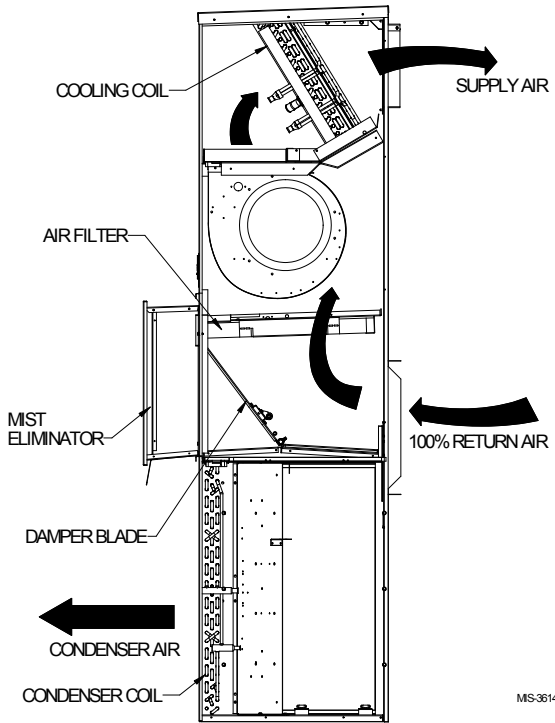
**FIGURE 27**  
100% Outside Airflow Path



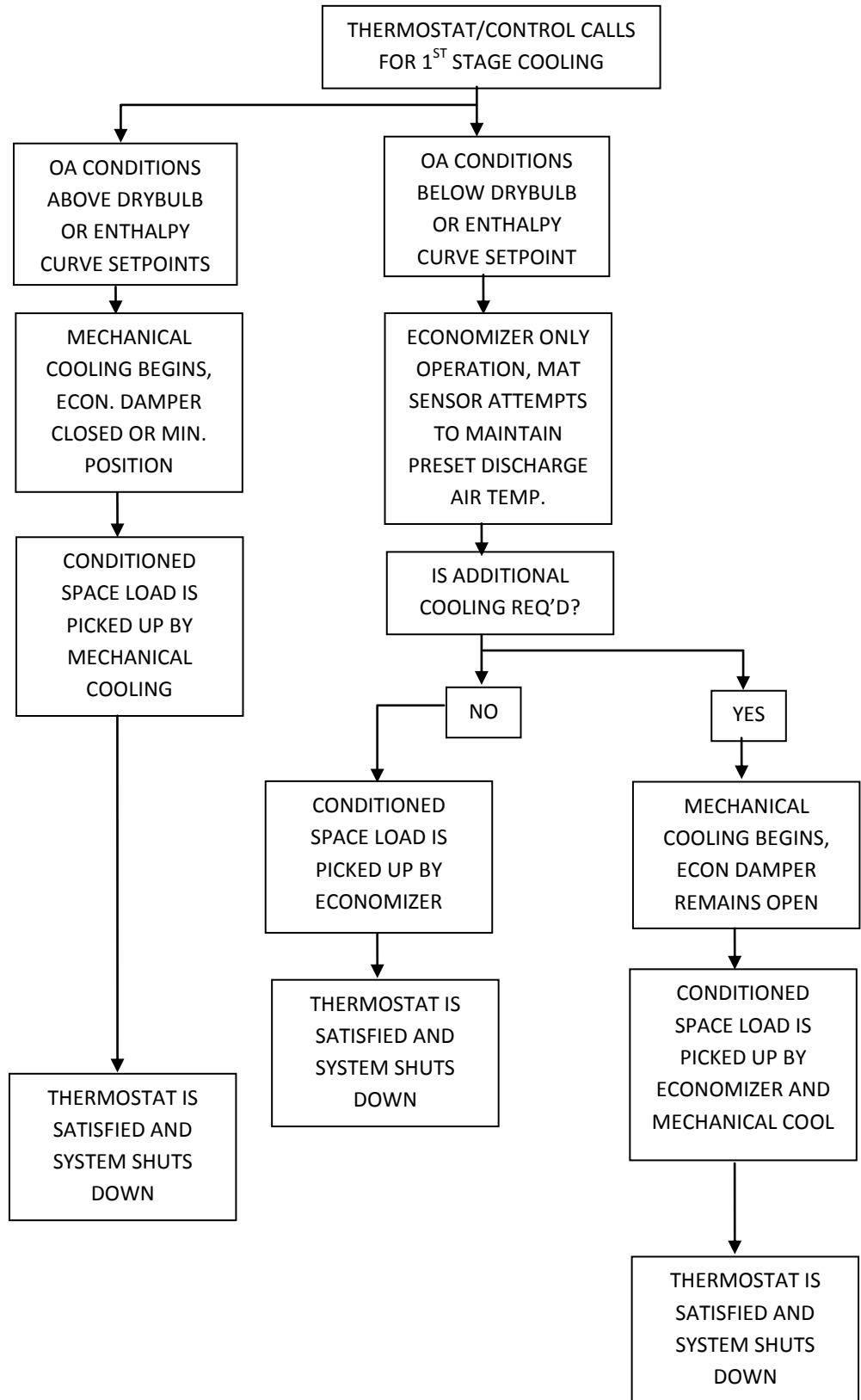
**FIGURE 28**  
Mixed Airflow Path



**FIGURE 29**  
**100% Closed Loop Airflow Path**



## Economizer Operation for Single Stage:



# Economizer Operation for Two Stage:

