

REPLACEMENT PARTS MANUAL

MULTI-TEC® Wall Mount Air Conditioner

Models:

| | | | | | | |
|---------|---------|---------|---------|---------|---------|---------|
| W42ACEA | W42ACPB | W48ACMA | W48ACPF | W60ACMC | W72ACEA | W72ACPB |
| W42ACEB | W42ACPC | W48ACMB | W48ACPQ | W60ACPA | W72ACEB | W72ACPC |
| W42ACEC | W42ACPE | W48ACMC | W60ACEA | W60ACPB | W72ACEC | W72ACPF |
| W42ACMA | W42ACPF | W48ACPA | W60ACEB | W60ACPC | W72ACMA | W72ACPQ |
| W42ACMB | W48ACEA | W48ACPB | W60ACEC | W60ACPE | W72ACMB | |
| W42ACMC | W48ACEB | W48ACPC | W60ACMA | W60ACPF | W72ACMC | |
| W42ACPA | W48ACEC | W48ACPE | W60ACMB | W60ACPQ | W72ACPA | |

Contents

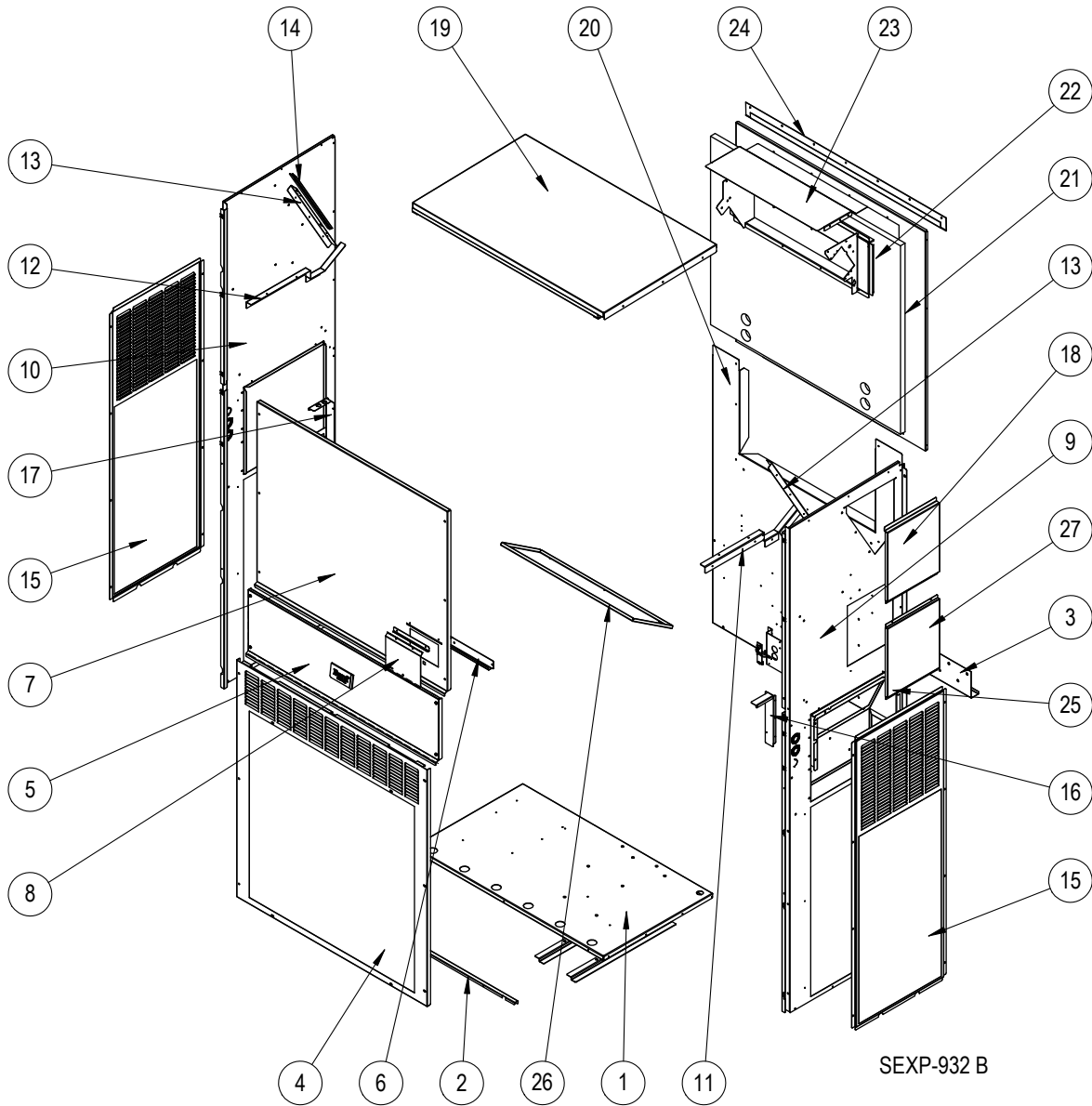
| Description | Page | Description | Page |
|-----------------------|------|--|------|
| External Parts | | Actuator Assembly | |
| ♦ Exploded View | 2 | ♦ Exploded View | 24 |
| ♦ Usage List | 3 | ♦ Usage List | 25 |
| ♦ Usage List | 4 | Base Assembly and Exhaust Blade Assembly | |
| Internal Parts | | ♦ Exploded View | 26 |
| ♦ Exploded View | 6 | ♦ Usage List | 27 |
| ♦ Usage List | 7 | Exhaust Partition Assy/Intake Seal Angle Assy | |
| ♦ Usage List | 8 | ♦ Exploded View | 28 |
| Functional Components | | ♦ Usage List | 29 |
| ♦ Exploded View | 10 | Vent Assembly | |
| ♦ Usage List | 11 | ♦ Exploded View | 30 |
| ♦ Usage List | 12 | ♦ Usage List | 31 |
| ♦ Usage List | 13 | General Notes | |
| ♦ Usage List | 14 | ➤ Revised and/or additional pages may be issued from time to time. | |
| Control Panel | | ➤ A complete and current manual consists of pages shown in the following contents section. | |
| ♦ Layout View | 16 | Important | |
| ♦ Usage List | 17 | ➤ Contact the installing and/or local Bard distributor for all parts requirements. Make sure to have the complete model and serial number available from the unit rating plates. | |
| ♦ Usage List | 18 | | |
| ♦ Usage List | 19 | | |
| ♦ Usage List | 20 | | |
| Blower Assembly | | | |
| ♦ Exploded View | 21 | | |
| ♦ Usage List | 21 | | |
| Intake Blade Assembly | | | |
| ♦ Exploded View | 22 | | |
| ♦ Usage List | 23 | | |



Bard Manufacturing Company, Inc.
 Bryan, Ohio 43506
 www.bardhvac.com

Manual: 2110-14640
 Supersedes: 2110-1464N
 Date: 10-1-24

EXTERNAL PARTS



This drawing to be used for reference for pages 3 and 4

EXTERNAL PARTS – STANDARD & DEHUMIDIFICATION

| Dwg No. | Part Number | Description | W42ACPA, B, C, E, F | W42ACMA, B, C | W42ACEA, B, C | W48ACPA, B, C, E, F, Q | W48ACMA, B, C | W48ACEA, B, C |
|---------|---------------|-----------------------------|---------------------|---------------|---------------|------------------------|---------------|---------------|
| 1 | S127-574 | Unit Base | X | X | X | X | X | X |
| 1 | S127-584 ③ | Unit Base | 0 | 0 | 0 | 0 | 0 | 0 |
| 2 | 113-762 | Front Base Bracket | X | X | X | X | X | X |
| 2 | 113-797 ③ | Front Base Bracket | 0 | 0 | 0 | 0 | 0 | 0 |
| 3 | 113-140 | Bottom Mounting Bracket | X | X | X | X | X | X |
| 4 | 119-125-* ① | Front Grille | X | X | X | X | X | X |
| 4 | 119-131 ② | Front Grille | 0 | 0 | 0 | 0 | 0 | 0 |
| 4 | 119-135 ③ | Front Grille | 0 | 0 | 0 | 0 | 0 | 0 |
| 5 | S533-301-* ① | Control Panel Cover (Outer) | X | X | X | X | X | X |
| 5 | S533-309 ② | Control Panel Cover (Outer) | 0 | 0 | 0 | 0 | 0 | 0 |
| 5 | S533-310 ③ | Control Panel Cover (Outer) | 0 | 0 | 0 | 0 | 0 | 0 |
| 6 | S165-608-* ① | Rain Channel | X | X | X | X | X | X |
| 6 | S165-609 ② | Rain Channel | 0 | 0 | 0 | 0 | 0 | 0 |
| 6 | S165-610 ③ | Rain Channel | 0 | 0 | 0 | 0 | 0 | 0 |
| 7 | S515-323-* ① | Upper Front | X | X | X | X | X | X |
| 7 | S515-328 ② | Upper Front | 0 | 0 | 0 | 0 | 0 | 0 |
| 7 | S515-330 ③ | Upper Front | 0 | 0 | 0 | 0 | 0 | 0 |
| 8 | 153-717-* ① | Disconnect Access Door | X | X | X | X | X | X |
| 8 | 153-723 ② | Disconnect Access Door | 0 | 0 | 0 | 0 | 0 | 0 |
| 8 | 153-724 ③ | Disconnect Access Door | 0 | 0 | 0 | 0 | 0 | 0 |
| 9 | S501-1133-* ① | Right Side | X | X | X | X | X | X |
| 9 | S501-1134 ② | Right Side | 0 | 0 | 0 | 0 | 0 | 0 |
| 9 | S501-1129 ③ | Right Side | 0 | 0 | 0 | 0 | 0 | 0 |
| 10 | 501-1083-* ① | Left Side | X | X | X | X | X | X |
| 10 | 501-1085 ② | Left Side | 0 | 0 | 0 | 0 | 0 | 0 |
| 10 | 501-1077 ③ | Left Side | 0 | 0 | 0 | 0 | 0 | 0 |
| 11 | 105X1454 | Right Support Angle | X | X | X | X | X | X |
| 12 | 105Y1454 | Left Support Angle | X | X | X | X | X | X |
| 13 | 105-1457 | Coil Support | 2 | 2 | 2 | 2 | 2 | 2 |
| 14 | 147-055 | Coil Support Offset | X | X | X | X | X | X |
| 15 | 119-126-* ① | Side Grille | 2 | 2 | 2 | 2 | 2 | 2 |
| 15 | 119-132 ② | Side Grille | 2 | 2 | 2 | 2 | 2 | 2 |
| 15 | 119-136 ③ | Side Grille | 2 | 2 | 2 | 2 | 2 | 2 |
| 16 | 105-1450 | Right Control Panel Angle | X | X | X | X | X | X |
| 17 | 105-1451 | Left Control Panel Angle | X | X | X | X | X | X |
| 18 | S543-221-* ① | Heater Access Cover | X | X | X | X | X | X |
| 18 | S543-228 ② | Heater Access Cover | 0 | 0 | 0 | 0 | 0 | 0 |
| 18 | S543-229 ③ | Heater Access Cover | 0 | 0 | 0 | 0 | 0 | 0 |
| 19 | 507-382-* ① | Top | X | X | X | X | X | X |
| 19 | 507-391 ② | Top | 0 | 0 | 0 | 0 | 0 | 0 |
| 19 | 507-392 ③ | Top | 0 | 0 | 0 | 0 | 0 | 0 |
| 20 | 109-412 | Lower Back | X | X | X | X | X | X |
| 20 | 109-418 ② | Lower Back | 0 | 0 | 0 | 0 | 0 | 0 |
| 20 | 109-422 ③ | Lower Back | 0 | 0 | 0 | 0 | 0 | 0 |
| 21 | S509-498 | Upper Back | X | X | X | X | X | X |
| 21 | S509-500 ② | Upper Back | 0 | 0 | 0 | 0 | 0 | 0 |
| 21 | S509-502 ③ | Upper Back | 0 | 0 | 0 | 0 | 0 | 0 |
| 22 | S111-299 | Outlet Air Frame Assembly | X | X | X | X | X | X |
| 23 | 535-129 | Heat Shield | X | X | X | X | X | X |
| 24 | 113-150-* ① | Top Rain Flashing | X | X | X | X | X | X |
| 24 | 113-150-4 ② | Top Rain Flashing | 0 | 0 | 0 | 0 | 0 | 0 |
| 24 | 113-359 ③ | Top Rain Flashing | 0 | 0 | 0 | 0 | 0 | 0 |
| 25 | 539-406 | Fresh Air Damper Assembly | X | X | X | X | X | X |
| 25 | 543-222 | Intake Blank Off Plate | 0 | 0 | 0 | 0 | 0 | 0 |
| 26 | 543-220 | Exhaust Blank Off Plate | X | X | X | X | X | X |
| 27 | S543-248-* ① | Access Cover | X | X | X | X | X | X |
| 27 | S543-250 ② | Access Cover | 0 | 0 | 0 | 0 | 0 | 0 |
| 27 | S543-251 ③ | Access Cover | 0 | 0 | 0 | 0 | 0 | 0 |
| NS | 5252-033 | Bard Nameplate | X | X | X | X | X | X |

① Exterior cabinet parts are manufactured with various paint color options. To ensure the proper paint color is received, include the complete model and serial number of the unit for which cabinet parts are being ordered.

X – Standard Component
0 – Optional Component

② Exterior cabinet parts are manufactured from aluminum Code "A" (#24 - Top rain flashing not available in aluminum; order 113-150-4 (Buckeye Gray).

③ Exterior cabinet parts are manufactured from stainless steel Code "S"

EXTERNAL PARTS – STANDARD & DEHUMIDIFICATION

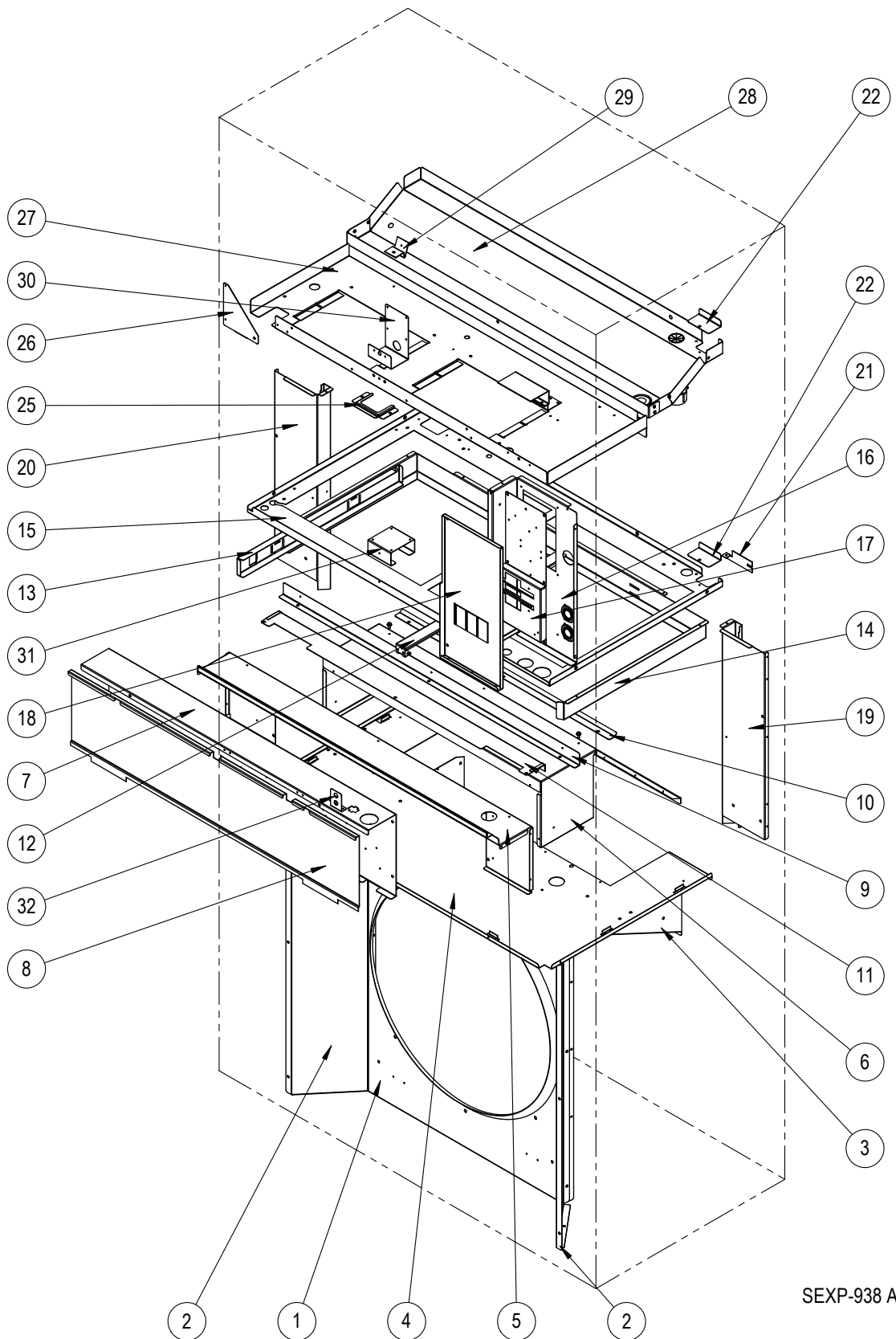
| Dwg No. | Part Number | Description | W60ACPA, B, C, E, F, Q | W60ACMA, B, C | W60ACEA, B, C | W72ACPA, B, C, F, Q | W72ACMA, B, C | W72ACEA, B, C |
|---------|---------------|-----------------------------|---------------------------|---------------|---------------|------------------------|---------------|---------------|
| 1 | S127-574 | Unit Base | X | X | X | X | X | X |
| 1 | S127-584 ③ | Unit Base | 0 | 0 | 0 | 0 | 0 | 0 |
| 2 | 113-762 | Front Base Bracket | X | X | X | X | X | X |
| 2 | 113-797 ③ | Front Base Bracket | 0 | 0 | 0 | 0 | 0 | 0 |
| 3 | 113-140 | Bottom Mounting Bracket | X | X | X | X | X | X |
| 4 | 119-127-* ① | Front Grille | X | X | X | X | X | X |
| 4 | 119-133 ② | Front Grille | 0 | 0 | 0 | 0 | 0 | 0 |
| 4 | 119-137 ③ | Front Grille | 0 | 0 | 0 | 0 | 0 | 0 |
| 5 | S533-301-* ① | Control Panel Cover (Outer) | X | X | X | X | X | X |
| 5 | S533-309 ② | Control Panel Cover (Outer) | 0 | 0 | 0 | 0 | 0 | 0 |
| 5 | S533-310 ③ | Control Panel Cover (Outer) | 0 | 0 | 0 | 0 | 0 | 0 |
| 6 | S165-608-* ① | Rain Channel | X | X | X | X | X | X |
| 6 | S165-609 ② | Rain Channel | 0 | 0 | 0 | 0 | 0 | 0 |
| 6 | S165-610 ③ | Rain Channel | 0 | 0 | 0 | 0 | 0 | 0 |
| 7 | S515-324-* ① | Upper Front | X | X | X | X | X | X |
| 7 | S515-329 ② | Upper Front | 0 | 0 | 0 | 0 | 0 | 0 |
| 7 | S515-331 ③ | Upper Front | 0 | 0 | 0 | 0 | 0 | 0 |
| 8 | 153-717-* ① | Disconnect Access Door | X | X | X | X | X | X |
| 8 | 153-723 ② | Disconnect Access Door | 0 | 0 | 0 | 0 | 0 | 0 |
| 8 | 153-724 ③ | Disconnect Access Door | 0 | 0 | 0 | 0 | 0 | 0 |
| 9 | S501-1135-* ① | Right Side | X | X | X | X | X | X |
| 9 | S501-1136 ② | Right Side | 0 | 0 | 0 | 0 | 0 | 0 |
| 9 | S501-1132 ③ | Right Side | 0 | 0 | 0 | 0 | 0 | 0 |
| 10 | 501-1081-* ① | Left Side | X | X | X | X | X | X |
| 10 | 501-1087 ② | Left Side | 0 | 0 | 0 | 0 | 0 | 0 |
| 10 | 501-1079 ③ | Left Side | 0 | 0 | 0 | 0 | 0 | 0 |
| 11 | 105X1454 | Right Support Angle | X | X | X | X | X | X |
| 12 | 105Y1454 | Left Support Angle | X | X | X | X | X | X |
| 13 | 105-1455 | Coil Support | 2 | 2 | 2 | 2 | 2 | 2 |
| 14 | 147-054 | Coil Support Offset | X | X | X | X | X | X |
| 15 | 119-128-* ① | Side Grille | 2 | 2 | 2 | 2 | 2 | 2 |
| 15 | 119-134 ② | Side Grille | 2 | 2 | 2 | 2 | 2 | 2 |
| 15 | 119-138 ③ | Side Grille | 2 | 2 | 2 | 2 | 2 | 2 |
| 16 | 105-1450 | Right Control Panel Angle | X | X | X | X | X | X |
| 17 | 105-1451 | Left Control Panel Angle | X | X | X | X | X | X |
| 18 | S543-221-* ① | Heater Access Cover | X | X | X | X | X | X |
| 18 | S543-228 ② | Heater Access Cover | 0 | 0 | 0 | 0 | 0 | 0 |
| 18 | S543-229 ③ | Heater Access Cover | 0 | 0 | 0 | 0 | 0 | 0 |
| 19 | 507-382-* ① | Top | X | X | X | X | X | X |
| 19 | 507-391 ② | Top | 0 | 0 | 0 | 0 | 0 | 0 |
| 19 | 507-392 ③ | Top | 0 | 0 | 0 | 0 | 0 | 0 |
| 20 | 109-414 | Lower Back | X | X | X | X | X | X |
| 20 | 109-420 ② | Lower Back | 0 | 0 | 0 | 0 | 0 | 0 |
| 20 | 109-424 ③ | Lower Back | 0 | 0 | 0 | 0 | 0 | 0 |
| 21 | S509-499 | Upper Back | X | X | X | X | X | X |
| 21 | S509-501 ② | Upper Back | 0 | 0 | 0 | 0 | 0 | 0 |
| 21 | S509-503 ③ | Upper Back | 0 | 0 | 0 | 0 | 0 | 0 |
| 22 | S111-299 | Outlet Air Frame Assembly | X | X | X | X | X | X |
| 23 | 535-129 | Heat Shield | X | X | X | X | X | X |
| 24 | 113-150-* ① | Top Rain Flashing | X | X | X | X | X | X |
| 24 | 113-150-4 ② | Top Rain Flashing | 0 | 0 | 0 | 0 | 0 | 0 |
| 24 | 113-359 ③ | Top Rain Flashing | 0 | 0 | 0 | 0 | 0 | 0 |
| 25 | 539-406 | Fresh Air Damper Assembly | X | X | X | X | X | X |
| 25 | 543-222 | Intake Blank Off Plate | 0 | 0 | 0 | 0 | 0 | 0 |
| 26 | 543-220 | Exhaust Blank Off Plate | X | X | X | X | X | X |
| 27 | S543-248-* ① | Access Cover | X | X | X | X | X | X |
| 27 | S543-250 ② | Access Cover | 0 | 0 | 0 | 0 | 0 | 0 |
| 27 | S543-251 ③ | Access Cover | 0 | 0 | 0 | 0 | 0 | 0 |
| NS | 5252-033 | Bard Nameplate | X | X | X | X | X | X |

① Exterior cabinet parts are manufactured with various paint color options. To ensure the proper paint color is received, include the complete model and serial number of the unit for which cabinet parts are being ordered.

X – Standard Component
0 – Optional Component

This page intentionally left blank

INTERNAL PARTS



SEXP-938 A

INTERNAL PARTS – STANDARD & DEHUMIDIFICATION

| Dwg No. | Part Number | Description | W42ACPA, B, E | W42ACPC, F | W42ACMA, B | W42ACMC | W42ACEA, B | W42ACEC | W48ACPA, B, E | W48ACPC, F, Q | W48ACMA, B | W48ACMC | W48ACEA, B | W48ACEC |
|---------|---------------------|--|---------------|------------|------------|---------|------------|---------|---------------|---------------|------------|---------|------------|---------|
| 1 | 125-089 | Fan Shroud | X | X | X | X | X | X | X | X | X | X | X | X |
| 1 | 125-093 ① | Fan Shroud | 0 | 0 | 0 | 0 | 0 | 0 | 0 | 0 | 0 | 0 | 0 | 0 |
| 2 | S125-090 | Fan Shroud Side Access Cover | 2 | 2 | 2 | 2 | 2 | 2 | 2 | 2 | 2 | 2 | 2 | 2 |
| 2 | S125-094 ① | Fan Shroud Side Access Cover | 2 | 2 | 2 | 2 | 2 | 2 | 2 | 2 | 2 | 2 | 2 | 2 |
| 3 | 121-586 | Condenser Partition Insert | X | X | X | X | X | X | X | X | X | X | X | X |
| 3 | 121-600 ① | Condenser Partition Insert | 0 | 0 | 0 | 0 | 0 | 0 | 0 | 0 | 0 | 0 | 0 | 0 |
| 4 | 121-585 | Condenser Partition | X | X | X | X | X | X | X | X | X | X | X | X |
| 4 | 121-599 ① | Condenser Partition | 0 | 0 | 0 | 0 | 0 | 0 | 0 | 0 | 0 | 0 | 0 | 0 |
| 5 | 521-630 | Front Exhaust Partition | X | X | X | X | X | X | X | X | X | X | X | X |
| 6 | 521-587 | Exhaust Partition | X | X | X | X | X | X | X | X | X | X | X | X |
| 7 | Control Panel Assy. | See Control Panel Assy. Drawing & Parts List | X | X | X | X | X | X | X | X | X | X | X | X |
| 8 | S133-330 | Control Panel Cover (Inner) | X | X | X | X | X | X | X | X | X | X | X | X |
| 9 | 105-1453 | Front Vent Guide Rail | X | X | X | X | X | X | X | X | X | X | X | X |
| 10 | 105-1452 | Vent Guide Rail | X | X | X | X | X | X | X | X | X | X | X | X |
| 11 | S135-409 | Field Wire Shield | X | X | X | X | X | X | X | X | X | X | X | X |
| 12 | 131-168 | Filter Support Bracket | 2 | 2 | 2 | 2 | 2 | 2 | 2 | 2 | 2 | 2 | 2 | 2 |
| 13 | 131-170 | Filter Slide | X | X | X | X | X | X | X | X | X | X | X | X |
| 14 | 131-169 | Filter Rack Frame | X | X | X | X | X | X | X | X | X | X | X | X |
| 15 | 121-663 | Filter Partition | X | X | X | X | X | X | X | X | X | X | X | X |
| 16 | 117-412 | Upper Control Panel | X | X | X | X | X | X | X | X | X | X | X | X |
| 17 | 127-575 | Circuit Breaker Base | X | | X | | X | | X | | X | | X | |
| 17 | 127-585 | Circuit Breaker Base - 460V | | X | | X | | X | | X | | X | | X |
| 18 | S133-303 | Upper Control Panel Cover | X | | X | | X | | X | | X | | X | |
| 18 | S133-304 | Upper Control Panel Cover - 460V | | X | | X | | X | | X | | X | | X |
| 19 | 135X393 | Right Copper Chase | X | X | X | X | X | X | X | X | X | X | X | X |
| 19 | 135X397 ① | Right Copper Chase | 0 | 0 | 0 | 0 | 0 | 0 | 0 | 0 | 0 | 0 | 0 | 0 |
| 20 | 135Y393 | Left Copper Chase | X | X | X | X | X | X | X | X | X | X | X | X |
| 20 | 135Y397 ① | Left Copper Chase | 0 | 0 | 0 | 0 | 0 | 0 | 0 | 0 | 0 | 0 | 0 | 0 |
| 21 | 113-796 | Copper Retainer | 2 | 2 | 2 | 2 | 2 | 2 | 2 | 2 | 2 | 2 | 2 | 2 |
| 22 | 137-920 | Copper Fill Plate | 2 | 2 | 2 | 2 | 2 | 2 | 2 | 2 | 2 | 2 | 2 | 2 |
| 25 | 113-765 | Grommet Retainer | X | X | X | X | X | X | X | X | X | X | X | X |
| 26 | 141-492 | Blower Partition Support | X | X | X | X | X | X | X | X | X | X | X | X |
| 27 | 121-582 | Blower Partition | X | X | X | X | X | X | X | X | X | X | X | X |
| 28 | 523-161 | Drain Pan | X | X | X | X | X | X | X | X | X | X | X | X |
| 28 | 523-162 ①② | Drain Pan | 0 | 0 | 0 | 0 | 0 | 0 | 0 | 0 | 0 | 0 | 0 | 0 |
| 29 | 113-768 | EEV mounting Bracket | | | X | X | X | X | | | X | X | X | X |
| 30 | 113-787 | Airflow Switch Bracket | 0 | 0 | 0 | 0 | 0 | 0 | 0 | 0 | 0 | 0 | 0 | 0 |
| 31 | 113-788 | Filter Switch Bracket | 0 | 0 | 0 | 0 | 0 | 0 | 0 | 0 | 0 | 0 | 0 | 0 |
| 32 | 113-789 | Filter Switch Light Bracket | 0 | 0 | 0 | 0 | 0 | 0 | 0 | 0 | 0 | 0 | 0 | 0 |

① Exterior cabinet parts are manufactured from stainless steel Code "S"

② For aluminum units, order 523-162 stainless steel drain pan.

X – Standard Component

O – Optional Component

INTERNAL PARTS – STANDARD & DEHUMIDIFICATION

| Dwg No. | Part Number | Description | W60ACPA, B, E | W60ACPC, F, Q | W60ACMA, B | W60ACMC | W60ACEA, B | W60ACEC | W72ACPA, B | W72ACPC, F, Q | W72ACMA, B | W72ACMC | W72ACEA, B | W72ACEC |
|---------|---------------------|--|---------------|---------------|------------|---------|------------|---------|------------|---------------|------------|---------|------------|---------|
| 1 | 125-091 | Fan Shroud | X | X | X | X | X | X | X | X | X | X | X | X |
| 1 | 125-095 ① | Fan Shroud | 0 | 0 | 0 | 0 | 0 | 0 | 0 | 0 | 0 | 0 | 0 | 0 |
| 2 | S125-092 | Fan Shroud Side Access Cover | 2 | 2 | 2 | 2 | 2 | 2 | 2 | 2 | 2 | 2 | 2 | 2 |
| 2 | S125-096 ① | Fan Shroud Side Access Cover | 2 | 2 | 2 | 2 | 2 | 2 | 2 | 2 | 2 | 2 | 2 | 2 |
| 3 | 121-586 | Condenser Partition Insert | X | X | X | X | X | X | X | X | X | X | X | X |
| 3 | 121-600 ① | Condenser Partition Insert | 0 | 0 | 0 | 0 | 0 | 0 | 0 | 0 | 0 | 0 | 0 | 0 |
| 4 | 121-585 | Condenser Partition | X | X | X | X | X | X | X | X | X | X | X | X |
| 4 | 121-599 ① | Condenser Partition | 0 | 0 | 0 | 0 | 0 | 0 | 0 | 0 | 0 | 0 | 0 | 0 |
| 5 | 521-630 | Front Exhaust Partition | X | X | X | X | X | X | X | X | X | X | X | X |
| 6 | 521-587 | Exhaust Partition | X | X | X | X | X | X | X | X | X | X | X | X |
| 7 | Control Panel Assy. | See Control Panel Assy. Drawing & Parts List | X | X | X | X | X | X | X | X | X | X | X | X |
| 8 | S133-330 | Control Panel Cover (Inner) | X | X | X | X | X | X | X | X | X | X | X | X |
| 9 | 105-1453 | Front Vent Guide Rail | X | X | X | X | X | X | X | X | X | X | X | X |
| 10 | 105-1452 | Vent Guide Rail | X | X | X | X | X | X | X | X | X | X | X | X |
| 11 | S135-409 | Field Wire Shield | X | X | X | X | X | X | X | X | X | X | X | X |
| 12 | 131-168 | Filter Support Bracket | 2 | 2 | 2 | 2 | 2 | 2 | 2 | 2 | 2 | 2 | 2 | 2 |
| 13 | 131-170 | Filter Slide | X | X | X | X | X | X | X | X | X | X | X | X |
| 14 | 131-169 | Filter Rack Frame | X | X | X | X | X | X | X | X | X | X | X | X |
| 15 | 121-663 | Filter Partition | X | X | X | X | X | X | X | X | X | X | X | X |
| 16 | 117-412 | Upper Control Panel | X | X | X | X | X | X | X | X | X | X | X | X |
| 17 | 127-575 | Circuit Breaker Base | X | | X | | X | | X | | X | | X | |
| 17 | 127-585 | Circuit Breaker Base - 460V | | X | | X | | X | | X | | X | | X |
| 18 | S133-303 | Upper Control Panel Cover | X | | X | | X | | X | | X | | X | |
| 18 | S133-304 | Upper Control Panel Cover - 460V | | X | | X | | X | | X | | X | | X |
| 19 | 135X393 | Right Copper Chase | X | X | X | X | X | X | X | X | X | X | X | X |
| 19 | 135X397 ① | Right Copper Chase | 0 | 0 | 0 | 0 | 0 | 0 | 0 | 0 | 0 | 0 | 0 | 0 |
| 20 | 135Y393 | Left Copper Chase | X | X | X | X | X | X | X | X | X | X | X | X |
| 20 | 135Y397 ① | Left Copper Chase | 0 | 0 | 0 | 0 | 0 | 0 | 0 | 0 | 0 | 0 | 0 | 0 |
| 21 | 113-796 | Copper Retainer | 2 | 2 | 2 | 2 | 2 | 2 | 2 | 2 | 2 | 2 | 2 | 2 |
| 22 | 137-920 | Copper Fill Plate | 2 | 2 | 2 | 2 | 2 | 2 | 2 | 2 | 2 | 2 | 2 | 2 |
| 25 | 113-765 | Grommet Retainer | X | X | X | X | X | X | X | X | X | X | X | X |
| 26 | 141-492 | Blower Partition Support | X | X | X | X | X | X | X | X | X | X | X | X |
| 27 | 121-582 | Blower Partition | X | X | X | X | X | X | X | X | X | X | X | X |
| 28 | 523-161 | Drain Pan | X | X | X | X | X | X | X | X | X | X | X | X |
| 28 | 523-162 ①② | Drain Pan | 0 | 0 | 0 | 0 | 0 | 0 | 0 | 0 | 0 | 0 | 0 | 0 |
| 29 | 113-768 | EEV mounting Bracket | | | X | X | X | X | | | X | X | X | X |
| 30 | 113-787 | Airflow Switch Bracket | 0 | 0 | 0 | 0 | 0 | 0 | 0 | 0 | 0 | 0 | 0 | 0 |
| 31 | 113-788 | Filter Switch Bracket | 0 | 0 | 0 | 0 | 0 | 0 | 0 | 0 | 0 | 0 | 0 | 0 |
| 32 | 113-789 | Filter Switch Light Bracket | 0 | 0 | 0 | 0 | 0 | 0 | 0 | 0 | 0 | 0 | 0 | 0 |

① Exterior cabinet parts are manufactured from stainless steel Code "S"

② For aluminum units, order 523-162 stainless steel drain pan.

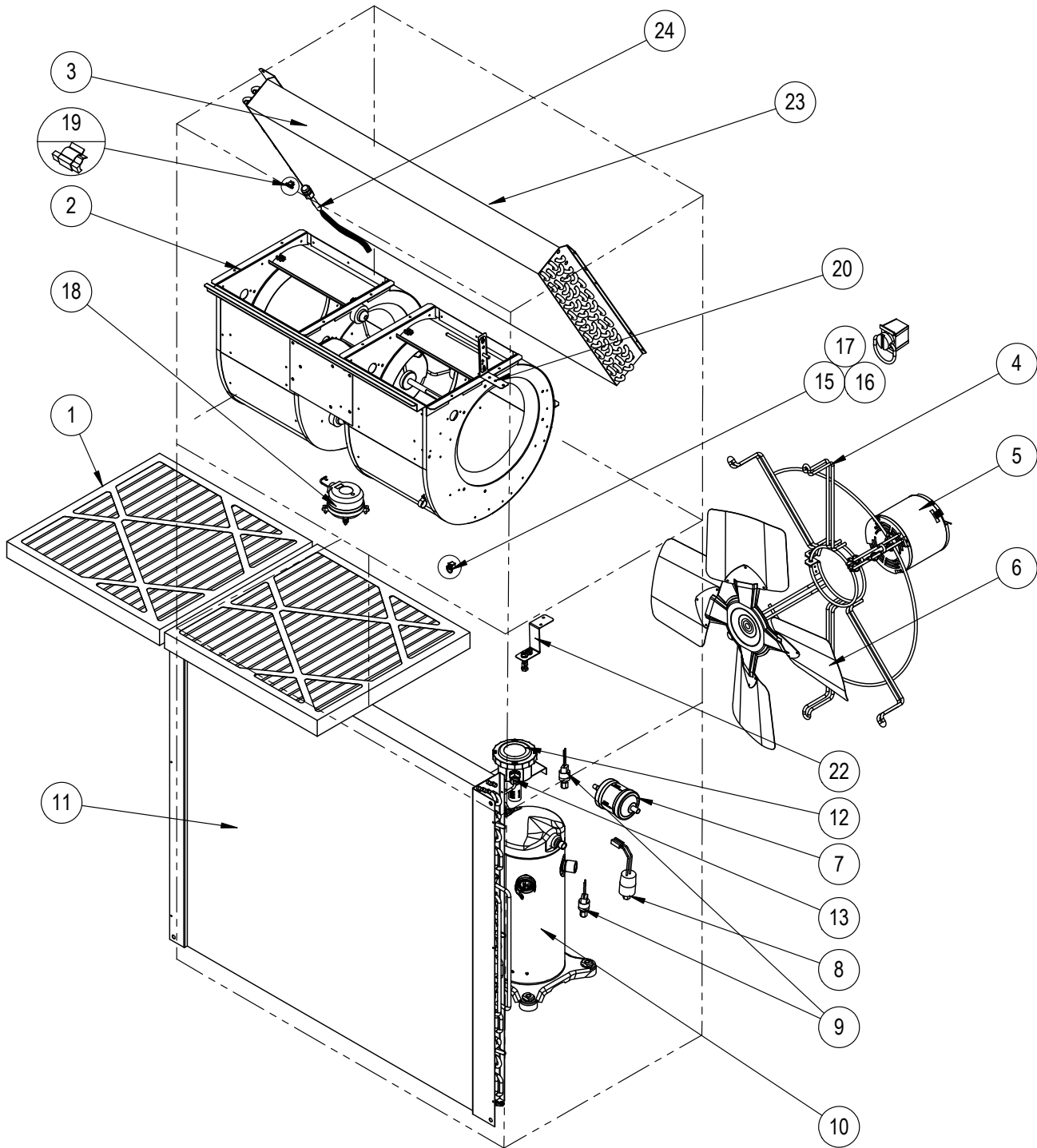
X – Standard Component

0 – Optional Component

Refer to drawing on page 6

This page intentionally left blank

FUNCTIONAL COMPONENTS



SEXP-1012 C

This drawing to be used for reference for pages 11, 12, 13 and 14

FUNCTIONAL COMPONENTS

| Dwg No. | Part Number | Description | W42ACPA | W42ACPB | W42ACPC | W42ACPE | W42ACPF | W42ACMA | W42ACMB | W42ACMC | W42ACEA | W42ACEB | W42ACEC |
|---------|----------------|---|---------|---------|---------|---------|---------|---------|---------|---------|---------|---------|---------|
| 1 | 7004-012 | Air Filter 1" Throw-Away (20 x 20 x 1) | 2 | 2 | 2 | 2 | 2 | 2 | 2 | 2 | 2 | 2 | 2 |
| 1 | 7003-085 ① | Air Filter 1" Washable (20 x 20 x 1) | 2 | 2 | 2 | 2 | 2 | 2 | 2 | 2 | 2 | 2 | 2 |
| 1 | 7004-052 ① | Air Filter 2" Merv 8 (20 x 20 x 2) | 2 | 2 | 2 | 2 | 2 | 2 | 2 | 2 | 2 | 2 | 2 |
| 1 | 7004-060 ① | Air Filter 2" Merv 11 (20 x 20 x 2) | 2 | 2 | 2 | 2 | 2 | 2 | 2 | 2 | 2 | 2 | 2 |
| 1 | 7004-063 ① | Air Filter 2" Merv 13 (20 x 20 x 2) | 2 | 2 | 2 | 2 | 2 | 2 | 2 | 2 | 2 | 2 | 2 |
| 2 | 900-366-0155BX | Blower Assembly | X | X | | X | X | X | X | X | X | X | |
| 2 | 900-367-0156BX | Blower Assembly - 460V | | | X | | | | | X | | | X |
| 3 | 917-0366BX | Evaporator Coil w/Distributor Assy. | X | X | X | X | X | X | X | X | X | X | X |
| 3 | 917-0367BX | Evaporator Coil - Coated w/Distributor Assy. | 0 | 0 | 0 | 0 | 0 | 0 | 0 | 0 | 0 | 0 | 0 |
| 4 | 8200-004 | Fan Motor Mount | X | X | X | X | X | X | X | X | X | X | X |
| 4 | 8200-051 ② | Fan Motor Mount | 0 | 0 | 0 | 0 | 0 | 0 | 0 | 0 | 0 | 0 | 0 |
| 5 | 8105-039 | Condenser Motor 1/3HP 230/208 CW PSC 825RPM | | | | X | X | | | | | | |
| 5 | 8105-068 | Condenser Motor 1/3HP 230/208 CW PSC 825RPM | X | X | | | | X | X | | X | X | |
| 5 | 8105-071 | Condenser Motor 1/3HP 460V CW PSC | | | X | | | | | X | | | X |
| 6 | 5151-060 | Fan Blade | X | X | X | X | X | X | X | X | X | X | X |
| 6 | 5151C060 ② | Fan Blade - Coated | 0 | 0 | 0 | 0 | 0 | 0 | 0 | 0 | 0 | 0 | 0 |
| 7 | 5201-022 | Filter Drier | X | X | X | X | X | X | X | X | X | X | X |
| 8 | 8406-112 | Low Ambient Control 350#/225# | X | X | X | X | X | X | X | X | X | X | X |
| 9 | 8406-142 | High Pressure Switch | X | X | X | X | X | X | X | X | X | X | X |
| 9 | 910-2135 | Low Pressure Switch Assy. | X | X | X | X | X | X | X | X | X | X | X |
| 10 | 8000-349 | Compressor | X | | | | | X | | | X | | |
| 10 | 8000-350 | Compressor | | X | | X | | | X | | | X | |
| 10 | 8000-351 | Compressor | | | X | | X | | | X | | | X |
| 11 | 5051-222BX | Condenser Coil | X | X | X | X | X | X | X | X | X | X | X |
| 11 | 5054-222BX | Condenser Coil - Coated | 0 | 0 | 0 | 0 | 0 | 0 | 0 | 0 | 0 | 0 | 0 |
| 12 | 910-2109 | Outdoor Temperature and Humidity Sensor Assy. | X | X | X | X | X | X | X | X | X | X | X |
| 13 | 8406-158 | Low Pressure Transducer | | | | | | X | X | X | | | |
| 15 | 1171-023 | 1/4 Turn Receptacle | X | X | X | X | X | X | X | X | X | X | X |
| 16 | 1171-022 | 1/4 Turn Fastener | X | X | X | X | X | X | X | X | X | X | X |
| 17 | 1171-024 | 1/4 Turn Retainer | X | X | X | X | X | X | X | X | X | X | X |
| 18 | 910-2101 | Filter Pressure Switch Assy. | X | X | X | X | X | X | X | X | X | X | X |
| 19 | 910-2113 | Freeze Protection Thermostat Assy. | X | X | X | X | X | X | X | X | X | X | X |
| 20 | 910-2106 | Mixed Air Sensor Assy. | X | X | X | X | X | X | X | X | X | X | X |
| 22 | 910-2299 | Return Air Sensor Assy. | X | X | X | X | X | X | X | X | X | X | X |
| 23 | 5051-221BX | Reheat Coil | | | | | | X | X | X | | | |
| 23 | 5054-221BX | Reheat Coil - Coated | | | | | | 0 | 0 | 0 | | | |
| 24 | 800-0482 | Distributor Assembly | X | X | X | X | X | | | | X | X | X |
| 24 | 800-0424 | Distributor Assembly | | | | | | X | X | X | | | |
| 24 | 5651S245 | Electronic Expansion Valve | | | | | | X | X | X | | | |
| 24 | 905-0737 | Electronic Expansion Valve (EEV) Assy. | | | | | | X | X | X | | | |
| NS | 5451-024 | Tubing Isolation Grommet | 2 | 2 | 2 | 2 | 2 | 2 | 2 | 2 | 2 | 2 | 2 |
| NS | 6031-009 | Coremax Valve Core | 2 | 2 | 2 | 2 | 2 | 2 | 2 | 2 | 2 | 2 | 2 |
| NS | 1171-070 | Control Panel Door Clip | 4 | 4 | 4 | 4 | 4 | 4 | 4 | 4 | 4 | 4 | 4 |
| NS | 1171-068 | Control Panel Door Screw | 4 | 4 | 4 | 4 | 4 | 4 | 4 | 4 | 4 | 4 | 4 |
| NS | 1171-069 | Control Panel Door Screw Retainer | 4 | 4 | 4 | 4 | 4 | 4 | 4 | 4 | 4 | 4 | 4 |
| NS | 3000-1698 | Transducer Wire Assy. | | | | | | X | X | X | | | |
| NS | 5651-246 | EEV Stator Cable | | | | | | X | X | X | | | |
| NS | 910-2134 | Suction Temp Sensor Assy. | | | | | | X | X | X | | | |

NS – Not Shown

① – Optional on these models

② – Used with stainless steel cabinet option

X – Standard Component

0 – Optional Component

FUNCTIONAL COMPONENTS

| Dwg No. | Part Number | Description | W48ACPA | W48ACPB | W48ACPC | W48ACPE | W48ACPF | W48ACPG | W48ACMA | W48ACMB | W48ACMC | W48ACEA | W48ACEB | W48ACEC |
|---------|----------------|---|---------|---------|---------|---------|---------|---------|---------|---------|---------|---------|---------|---------|
| 1 | 7004-012 | Air Filter 1" Throw-Away (20 x 20 x 1) | 2 | 2 | 2 | 2 | 2 | 2 | 2 | 2 | 2 | 2 | 2 | 2 |
| 1 | 7003-085 ① | Air Filter 1" Washable (20 x 20 x 1) | 2 | 2 | 2 | 2 | 2 | 2 | 2 | 2 | 2 | 2 | 2 | 2 |
| 1 | 7004-052 ① | Air Filter 2" Merv 8 (20 x 20 x 2) | 2 | 2 | 2 | 2 | 2 | 2 | 2 | 2 | 2 | 2 | 2 | 2 |
| 1 | 7004-060 ① | Air Filter 2" Merv 11 (20 x 20 x 2) | 2 | 2 | 2 | 2 | 2 | 2 | 2 | 2 | 2 | 2 | 2 | 2 |
| 1 | 7004-063 ① | Air Filter 2" Merv 13 (20 x 20 x 2) | 2 | 2 | 2 | 2 | 2 | 2 | 2 | 2 | 2 | 2 | 2 | 2 |
| 2 | 900-368-0157BX | Blower Assembly | X | X | | X | X | X | X | X | | X | X | |
| 2 | 900-369-0158BX | Blower Assembly - 460V | | | X | | | | | | X | | | X |
| 3 | 917-0370BX | Evaporator Coil w/Distributor Assy. | X | X | X | X | X | X | X | X | X | X | X | X |
| 3 | 917-0371BX | Evaporator Coil - Coated w/Distributor Assy. | 0 | 0 | 0 | 0 | 0 | 0 | 0 | 0 | 0 | 0 | 0 | 0 |
| 4 | 8200-004 | Fan Motor Mount | X | X | X | X | X | X | X | X | X | X | X | X |
| 4 | 8200-051 ② | Fan Motor Mount | 0 | 0 | 0 | 0 | 0 | 0 | 0 | 0 | 0 | 0 | 0 | 0 |
| 5 | 8105-039 | Condenser Motor 1/3HP 230/208 CW PSC 825RPM | | | | X | X | | | | | | | |
| 5 | 8105-068 | Condenser Motor 1/3HP 230/208 CW PSC 825RPM | X | X | | | | X | X | X | | X | X | |
| 5 | 8105-071 | Condenser Motor 1/3HP 460V CW PSC | | | X | | | | | X | | | | X |
| 6 | 5151-060 | Fan Blade | X | X | X | X | X | X | X | X | X | X | X | X |
| 6 | 5151C060 ② | Fan Blade - Coated | 0 | 0 | 0 | 0 | 0 | 0 | 0 | 0 | 0 | 0 | 0 | 0 |
| 7 | 5201-022 | Filter Drier | X | X | X | X | X | X | X | X | X | X | X | X |
| 8 | 8406-112 | Low Ambient Control 350#/225# | X | X | X | X | X | X | X | X | X | X | X | X |
| 9 | 8406-142 | High Pressure Switch | X | X | X | X | X | X | X | X | X | X | X | X |
| 9 | 910-2135 | Low Pressure Switch Assy. | X | X | X | X | X | X | X | X | X | X | X | X |
| 10 | 8000-332 | Compressor | X | | | | | | X | | | X | | |
| 10 | 8000-333 | Compressor | | X | | X | | | | X | | | X | |
| 10 | 8000-334 | Compressor | | | X | | X | | | X | | | | X |
| 10 | 8000-466 | Compressor | | | | | X | | | | | | | |
| 11 | 5051-222BX | Condenser Coil | X | X | X | X | X | X | X | X | X | X | X | X |
| 11 | 5054-222BX | Condenser Coil - Coated | 0 | 0 | 0 | 0 | 0 | 0 | 0 | 0 | 0 | 0 | 0 | 0 |
| 12 | 910-2109 | Outdoor Temperature and Humidity Sensor Assy. | X | X | X | X | X | X | X | X | X | X | X | X |
| 13 | 8406-158 | Low Pressure Transducer | | | | | | | X | X | X | | | |
| 15 | 1171-023 | 1/4 Turn Receptacle | X | X | X | X | X | X | X | X | X | X | X | X |
| 16 | 1171-022 | 1/4 Turn Fastener | X | X | X | X | X | X | X | X | X | X | X | X |
| 17 | 1171-024 | 1/4 Turn Retainer | X | X | X | X | X | X | X | X | X | X | X | X |
| 18 | 910-2101 | Filter Pressure Switch Assy. | X | X | X | X | X | X | X | X | X | X | X | X |
| 19 | 910-2113 | Freeze Protection Thermostat Assy. | X | X | X | X | X | X | X | X | X | X | X | X |
| 20 | 910-2106 | Mixed Air Sensor Assy. | X | X | X | X | X | X | X | X | X | X | X | X |
| 22 | 910-2299 | Return Air Sensor Assy. | X | X | X | X | X | X | X | X | X | X | X | X |
| 23 | 5051-221BX | Reheat Coil | | | | | | | X | X | X | | | |
| 23 | 5054-221BX | Reheat Coil - Coated | | | | | | | 0 | 0 | 0 | | | |
| 24 | 800-0483 | Distributor Assembly | X | X | X | X | X | X | | | | X | X | X |
| 24 | 800-0455 | Distributor Assembly | | | | | | | X | X | X | | | |
| 24 | 5651S245 | Electronic Expansion Valve | | | | | | | X | X | X | | | |
| 24 | 905-0737 | Electronic Expansion Valve (EEV) Assy. | | | | | | | X | X | X | | | |
| NS | 5451-024 | Tubing Isolation Grommet | 2 | 2 | 2 | 2 | 2 | 2 | 2 | 2 | 2 | 2 | 2 | 2 |
| NS | 6031-009 | Coremax Valve Core | 2 | 2 | 2 | 2 | 2 | 2 | 2 | 2 | 2 | 2 | 2 | 2 |
| NS | 1171-070 | Control Panel Door Clip | 4 | 4 | 4 | 4 | 4 | 4 | 4 | 4 | 4 | 4 | 4 | 4 |
| NS | 1171-068 | Control Panel Door Screw | 4 | 4 | 4 | 4 | 4 | 4 | 4 | 4 | 4 | 4 | 4 | 4 |
| NS | 1171-069 | Control Panel Door Screw Retainer | 4 | 4 | 4 | 4 | 4 | 4 | 4 | 4 | 4 | 4 | 4 | 4 |
| NS | 910-1963 | 575/230V Transformer Assy. | | | | | | X | | | | | | |
| NS | 3000-1698 | Transducer Wire Assy. | | | | | | | X | X | X | | | |
| NS | 5651-246 | EEV Stator Cable | | | | | | | X | X | X | | | |
| NS | 910-2134 | Suction Temp Sensor Assy. | | | | | | | X | X | X | | | |

NS – Not Shown

① – Optional on these models

② – Used with stainless steel cabinet option

X – Standard Component

0 – Optional Component

FUNCTIONAL COMPONENTS

| Dwg No. | Part Number | Description | W60ACPA | W60ACPB | W60ACPC | W60ACPE | W60ACPF | W60ACPQ | W60ACMA | W60ACMB | W60ACMC | W60ACEA | W60ACEB | W60ACEC |
|---------|----------------|--|---------|---------|---------|---------|---------|---------|---------|---------|---------|---------|---------|---------|
| 1 | 7004-012 | Air Filter 1" Throw-Away (20 x 20 x 1) | 2 | 2 | 2 | 2 | 2 | 2 | 2 | 2 | 2 | 2 | 2 | 2 |
| 1 | 7003-085 ① | Air Filter 1" Washable (20 x 20 x 1) | 2 | 2 | 2 | 2 | 2 | 2 | 2 | 2 | 2 | 2 | 2 | 2 |
| 1 | 7004-052 ① | Air Filter 2" Merv 8 (20 x 20 x 2) | 2 | 2 | 2 | 2 | 2 | 2 | 2 | 2 | 2 | 2 | 2 | 2 |
| 1 | 7004-060 ① | Air Filter 2" Merv 11 (20 x 20 x 2) | 2 | 2 | 2 | 2 | 2 | 2 | 2 | 2 | 2 | 2 | 2 | 2 |
| 1 | 7004-063 ① | Air Filter 2" Merv 13 (20 x 20 x 2) | 2 | 2 | 2 | 2 | 2 | 2 | 2 | 2 | 2 | 2 | 2 | 2 |
| 2 | 900-368-0159BX | Blower Assembly | X | X | | X | X | X | X | X | | X | X | |
| 2 | 900-369-0160BX | Blower Assembly - 460V | | | X | | | | | | X | | | X |
| 3 | 917-0374BX | Evaporator Coil w/Distributor Assy. | X | X | X | X | X | X | X | X | X | X | X | X |
| 3 | 917-0375BX | Evaporator Coil - Coated w/Distributor Assy. | O | O | O | O | O | O | O | O | O | O | O | O |
| 4 | 8200-004 | Fan Motor Mount | X | X | X | X | X | X | X | X | X | X | X | X |
| 4 | 8200-051 ② | Fan Motor Mount | O | O | O | O | O | O | O | O | O | O | O | O |
| 5 | 8105-039 | Condenser Motor 1/3HP 230/208 CW PSC 825RPM | | | | X | X | | | | | | | |
| 5 | 8106-053 | Condenser Motor 1/3HP 460V CW PSC 1075RPM | | | | | | X | | | | | | |
| 5 | 8105-068 | Condenser Motor 1/3HP 230/208 CW PSC 825RPM | X | X | | | | | X | X | | X | X | |
| 5 | 8105-071 | Condenser Motor 1/3HP 460V CW PSC | | | X | | | | | | X | | | X |
| 6 | 5151-060 | Fan Blade | X | X | X | X | X | X | X | X | X | X | X | X |
| 6 | 5151C060 ② | Fan Blade - Coated | O | O | O | O | O | O | O | O | O | O | O | O |
| 7 | 5201-022 | Filter Drier | X | X | X | X | X | X | X | X | X | X | X | X |
| 8 | 8406-112 | Low Ambient Control 350#/225# | X | X | X | X | X | X | X | X | X | X | X | X |
| 9 | 8406-142 | High Pressure Switch | X | X | X | X | X | X | X | X | X | X | X | X |
| 9 | 910-2135 | Low Pressure Switch Assy. | X | X | X | X | X | X | X | X | X | X | X | X |
| 10 | 8000-289 | Compressor | X | | | | | | X | | | X | | |
| 10 | 8000-292 | Compressor | | X | | X | | | | X | | | X | |
| 10 | 8000-308 | Compressor | | | X | | X | | | | X | | | X |
| 10 | 8000-467 | Compressor | | | | | X | | | | | | | |
| 11 | 5051-223BX | Condenser Coil | X | X | X | X | X | X | X | X | X | X | X | X |
| 11 | 5054-223BX | Condenser Coil - Coated | O | O | O | O | O | O | O | O | O | O | O | O |
| 12 | 8301-067 | Outdoor Temperature and Humidity Sensor | X | X | X | X | X | X | X | X | X | X | X | X |
| 13 | 8406-158 | Low Pressure Transducer | | | | | | | X | X | X | | | |
| 15 | 1171-023 | 1/4 Turn Receptacle | X | X | X | X | X | X | X | X | X | X | X | X |
| 16 | 1171-022 | 1/4 Turn Fastener | X | X | X | X | X | X | X | X | X | X | X | X |
| 17 | 1171-024 | 1/4 Turn Retainer | X | X | X | X | X | X | X | X | X | X | X | X |
| 18 | 8301-057 | Filter Pressure Switch | X | X | X | X | X | X | X | X | X | X | X | X |
| 19 | 910-2113 | Freeze Protection Thermostat Assy. | X | X | X | X | X | X | X | X | X | X | X | X |
| 20 | 910-2106 | Mixed Air Sensor | X | X | X | X | X | X | X | X | X | X | X | X |
| 22 | 910-2299 | Return Air Sensor Assembly | X | X | X | X | X | X | X | X | X | X | X | X |
| 23 | 5051-221BX | Reheat Coil | | | | | | | X | X | X | | | |
| 23 | 5054-221BX | Reheat Coil - Coated | | | | | | | O | O | O | | | |
| 24 | 800-0484 | Distributor Assembly | X | X | X | X | X | X | | | | X | X | X |
| 24 | 800-0455 | Distributor Assembly | | | | | | | X | X | X | | | |
| 24 | 5651S248 | Electronic Expansion Valve | | | | | | | X | X | X | | | |
| 24 | 905-0745 | Electronic Expansion Valve (EEV) Assy. | | | | | | | X | X | X | | | |
| NS | 5451-024 | Tubing Isolation Grommet | 2 | 2 | 2 | 2 | 2 | 2 | 2 | 2 | 2 | 2 | 2 | 2 |
| NS | 6031-009 | Coremax Valve Core | 2 | 2 | 2 | 2 | 2 | 2 | 2 | 2 | 2 | 2 | 2 | 2 |
| NS | 1171-070 | Control Panel Door Clip | 4 | 4 | 4 | 4 | 4 | 4 | 4 | 4 | 4 | 4 | 4 | 4 |
| NS | 1171-058 | Control Panel Door Screw | 4 | 4 | 4 | 4 | 4 | 4 | 4 | 4 | 4 | 4 | 4 | 4 |
| NS | 1171-069 | Control Panel Door Screw Retainer | 4 | 4 | 4 | 4 | 4 | 4 | 4 | 4 | 4 | 4 | 4 | 4 |
| NS | 910-1963 | 575/230V Transformer Assy. | | | | | | X | | | | | | |
| NS | 8605-017 | Crankcase Heater - 230V | X | X | | X | X | | X | X | | X | X | |
| NS | 8605-018 | Crankcase Heater - 460V | | | X | | | | | | X | | | X |
| NS | 8605-021 | Crankcase Heater - 575V | | | | | | X | | | | | | |
| NS | 3000-1698 | Transducer Wire Assy. | | | | | | | X | X | X | | | |
| NS | 5651-246 | EEV Stator Cable | | | | | | | X | X | X | | | |
| NS | 910-2134 | Suction Temp Sensor Assy. | | | | | | | X | X | X | | | |

NS – Not Shown
 ① – Optional on these models
 ② – Used with stainless steel cabinet option

X – Standard Component
 O – Optional Component

Refer to drawing on page 10

FUNCTIONAL COMPONENTS

| Dwg No. | Part Number | Description | W72ACPA | W72ACPB | W72ACPC | W72ACPF | W72ACPQ | W72ACMA | W72ACMB | W72ACMC | W72ACEA | W72ACEB | W72ACEC |
|---------|----------------|--|---------|---------|---------|---------|---------|---------|---------|---------|---------|---------|---------|
| 1 | 7004-012 | Air Filter 1" Throw-Away (20 x 20 x 1) | 2 | 2 | 2 | 2 | 2 | 2 | 2 | 2 | 2 | 2 | 2 |
| 1 | 7003-085 ① | Air Filter 1" Washable (20 x 20 x 1) | 2 | 2 | 2 | 2 | 2 | 2 | 2 | 2 | 2 | 2 | 2 |
| 1 | 7004-052 ① | Air Filter 2" Merv 8 (20 x 20 x 2) | 2 | 2 | 2 | 2 | 2 | 2 | 2 | 2 | 2 | 2 | 2 |
| 1 | 7004-060 ① | Air Filter 2" Merv 11 (20 x 20 x 2) | 2 | 2 | 2 | 2 | 2 | 2 | 2 | 2 | 2 | 2 | 2 |
| 1 | 7004-063 ① | Air Filter 2" Merv 13 (20 x 20 x 2) | 2 | 2 | 2 | 2 | 2 | 2 | 2 | 2 | 2 | 2 | 2 |
| 2 | 900-368-0161BX | Blower Assembly | X | X | | X | X | X | X | | X | X | |
| 2 | 900-369-0162BX | Blower Assembly - 460V | | | X | | | | | X | | | X |
| 3 | 917-0378BX | Evaporator Coil w/Distributor Assy. | X | X | X | X | X | X | X | X | X | X | X |
| 3 | 917-0379BX | Evaporator Coil - Coated w/Distributor Assy. | 0 | 0 | 0 | 0 | 0 | 0 | 0 | 0 | 0 | 0 | 0 |
| 4 | 8200-049 | Fan Motor Mount | X | X | X | X | X | X | X | X | X | X | X |
| 4 | 8200-052 ② | Fan Motor Mount | 0 | 0 | 0 | 0 | 0 | 0 | 0 | 0 | 0 | 0 | 0 |
| 5 | 8106-070 | Condenser Motor | X | X | | X | | X | X | | X | X | |
| 5 | 8106-071 | Condenser Motor - 460V | | | X | | | | | X | | | X |
| 5 | 8106-053 | Condenser Motor | | | | | X | | | | | | |
| 6 | 5151-063 | Fan Blade | X | X | X | X | X | X | X | X | X | X | X |
| 6 | 5151C063 ② | Fan Blade - Coated | 0 | 0 | 0 | 0 | 0 | 0 | 0 | 0 | 0 | 0 | 0 |
| 7 | 5201-022 | Filter Drier | X | X | X | X | X | X | X | X | X | X | X |
| 8 | 8406-112 | Low Ambient Control 350#/225# | X | X | X | X | X | X | X | X | X | X | X |
| 9 | 8406-142 | High Pressure Switch | X | X | X | X | X | X | X | X | X | X | X |
| 9 | 910-2135 | Low Pressure Switch Assy. | X | X | X | X | X | X | X | X | X | X | X |
| 10 | 8000-403 | Compressor | X | | | | | X | | | X | | |
| 10 | 8000-404 | Compressor | | X | | | | | X | | | X | |
| 10 | 8000-405 | Compressor | | | X | X | | | | X | | | X |
| 10 | 8000-418 | Compressor | | | | | X | | | | | | |
| 11 | 5051-223BX | Condenser Coil | X | X | X | X | X | X | X | X | X | X | X |
| 11 | 5054-223BX | Condenser Coil - Coated | 0 | 0 | 0 | 0 | 0 | 0 | 0 | 0 | 0 | 0 | 0 |
| 12 | 8301-067 | Outdoor Temperature and Humidity Sensor | X | X | X | X | X | X | X | X | X | X | X |
| 13 | 8406-158 | Low Pressure Transducer | | | | | | X | X | X | | | |
| 15 | 1171-023 | 1/4 Turn Receptacle | X | X | X | X | X | X | X | X | X | X | X |
| 16 | 1171-022 | 1/4 Turn Fastener | X | X | X | X | X | X | X | X | X | X | X |
| 17 | 1171-024 | 1/4 Turn Retainer | X | X | X | X | X | X | X | X | X | X | X |
| 18 | 8301-057 | Filter Pressure Switch | X | X | X | X | X | X | X | X | X | X | X |
| 19 | 910-2113 | Freeze Protection Thermostat Assy. | X | X | X | X | X | X | X | X | X | X | X |
| 20 | 910-2106 | Mixed Air Sensor | X | X | X | X | X | X | X | X | X | X | X |
| 22 | 910-2299 | Return Air Sensor Assembly | X | X | X | X | X | X | X | X | X | X | X |
| 23 | 5051-221BX | Reheat Coil | | | | | | X | X | X | | | |
| 23 | 5054-221BX | Reheat Coil - Coated | | | | | | 0 | 0 | 0 | | | |
| 24 | 800-0454 | Distributor Assembly | X | X | X | X | X | | | | X | X | X |
| 24 | 800-0455 | Distributor Assembly | | | | | | X | X | X | | | |
| 24 | 5651S248 | Electronic Expansion Valve | | | | | | X | X | X | | | |
| 24 | 905-0745 | Electronic Expansion Valve (EEV) Assy. | | | | | | X | X | X | | | |
| NS | 5451-024 | Tubing Isolation Grommet | 2 | 2 | 2 | 2 | 2 | 2 | 2 | 2 | 2 | 2 | 2 |
| NS | 6031-009 | Coremax Valve Core | 2 | 2 | 2 | 2 | 2 | 2 | 2 | 2 | 2 | 2 | 2 |
| NS | 1171-070 | Control Panel Door Clip | 4 | 4 | 4 | 4 | 4 | 4 | 4 | 4 | 4 | 4 | 4 |
| NS | 1171-058 | Control Panel Door Screw | 4 | 4 | 4 | 4 | 4 | 4 | 4 | 4 | 4 | 4 | 4 |
| NS | 1171-069 | Control Panel Door Screw Retainer | 4 | 4 | 4 | 4 | 4 | 4 | 4 | 4 | 4 | 4 | 4 |
| NS | 910-1963 | 575/230V Transformer Assy. | | | | | X | | | | | | |
| NS | 8605-017 | Crankcase Heater - 230V | X | X | | X | | X | X | | X | X | |
| NS | 8605-018 | Crankcase Heater - 460V | | | X | | | | | X | | | X |
| NS | 8605-021 | Crankcase Heater - 575V | | | | | X | | | | | | |
| NS | 3000-1698 | Transducer Wire Assy. | | | | | | X | X | X | | | |
| NS | 5651-246 | EEV Stator Cable | | | | | | X | X | X | | | |
| NS | 910-2134 | Suction Temp Sensor Assy. | | | | | | X | X | X | | | |

NS – Not Shown

① – Optional on these models

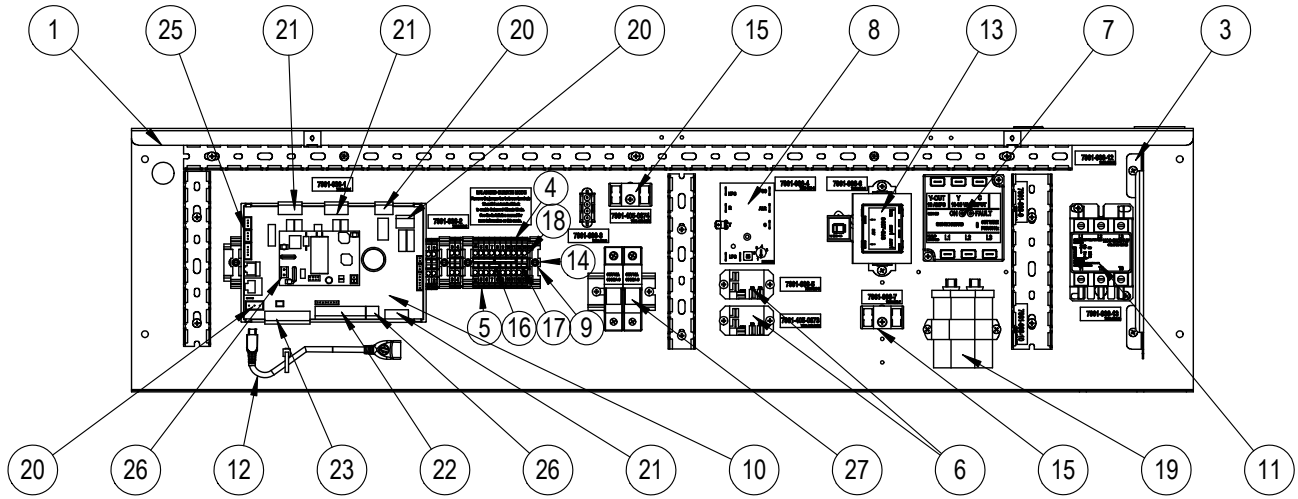
② – Used with stainless steel cabinet option

X – Standard Component

0 – Optional Component

This page intentionally left blank

CONTROL PANEL



SEXP-1007 C

This drawing to be used for reference for pages 17, 18, 19 and 20

CONTROL PANEL

| Dwg No. | Part Number | Description | W42ACPA | W42ACPB | W42ACPC | W42ACPE | W42ACPF | W42ACMA | W42ACMB | W42ACMC | W42ACEA | W42ACEB | W42ACEC |
|---------|---------------|--|---------|---------|---------|---------|---------|---------|---------|---------|---------|---------|---------|
| 1 | 117-417 | Control Panel Assembly | X | X | X | X | X | X | X | X | X | X | X |
| 3 | 135-394 | Wire Shield | X | X | X | X | X | X | X | X | X | X | X |
| 4 | 8607-055 | Terminal Designation (11-20) | X | X | X | X | X | X | X | X | X | X | X |
| 5 | 8607-056 | Terminal Designation (1-10) | X | X | X | X | X | X | X | X | X | X | X |
| 6 | 8201-130 | Relay, SPDT, Pilot Duty | X | X | X | X | X | X | X | X | X | X | X |
| 7 | 8201-174BX | 3 Phase Line Monitor 50/60 HZ | | X | X | X | X | | X | X | | X | X |
| 8 | 8201-176BX | Compressor Control Module | X | X | X | X | X | X | X | X | X | X | X |
| 9 | 8611-150 | Terminal Block DIN Rail | X | X | X | X | X | X | X | X | X | X | X |
| 10 | 8301-098-004* | UPC3-C2 MULTI-TEC | X | X | X | X | X | X | X | X | X | X | X |
| 11 | 8401-037 | Contactor 3 Pole 30 Amp w/Aux. Contact | | X | X | X | X | | X | X | | X | X |
| 11 | 8401-038 | Contactor 2 Pole 40 Amp w/Aux. Contact | X | | | | | X | | | X | | |
| 12 | 8301-075 | USB Micro Cable Female to Male | X | X | X | X | X | X | X | X | X | X | X |
| 13 | 8407-065 | Transformer 208/240-24 75VA | X | X | | X | X | X | | | X | X | |
| 13 | 8407-072 | Transformer 460/24VAC 75VA | | | X | | | | | X | | | X |
| 14 | 8611-144 | End Clamp for DIN Rail | 4 | 4 | 4 | 4 | 4 | 4 | 4 | 4 | 4 | 4 | 4 |
| 15 | 8607-017 | Terminal Block 240V 2 Terminal | X | X | X | X | X | X | X | X | X | X | X |
| 16 | 8611-194 | Jumper 2 Position | X | X | X | X | X | X | X | X | X | X | X |
| 17 | 8611-195 | Jumper 4 Position | X | X | X | X | X | X | X | X | X | X | X |
| 18 | 8611-151 | Terminal Block End Cap for DIN Rail | X | X | X | X | X | X | X | X | X | X | X |
| 19 | 8552-004 | Capacitor 7-1/2MFD 370V 1-1/4" O | | | X | | X | | | X | | | X |
| 19 | 8552-005 | Capacitor 10MFD 370V1-1/4" O | | X | | X | | | X | | | X | |
| 19 | 8552-079 | Capacitor 45/10 MFD 370V | X | | | | | X | | | X | | |
| 20 | 8611-147 | 3-Pin Circuit Board Connector | X | X | X | X | X | X | X | X | X | X | X |
| 21 | 8611-148 | 4-Pin Circuit Board Connector | X | X | X | X | X | X | X | X | X | X | X |
| 22 | 8611-149 | 9-Pin Circuit Board Connector | X | X | X | X | X | X | X | X | X | X | X |
| 23 | 8611-185 | 8-Pin Circuit Board Connector | X | X | X | X | X | X | X | X | X | X | X |
| 25 | 8611-192 | 3-Pin Circuit Board Connector | X | X | X | X | X | X | X | X | X | X | X |
| 26 | 8611-183 | 2-Pin Circuit Board Connector | X | X | X | X | X | X | X | X | X | X | X |
| NS | 4207-109 | Wiring Diagram | X | | | | | | | | X | | |
| NS | 4207-110 | Wiring Diagram | | | | | | X | | | | | |
| NS | 4207-209 | Wiring Diagram | | X | | X | | | | | | X | |
| NS | 4207-210 | Wiring Diagram | | | | | | | X | | | | |
| NS | 4207-309 | Wiring Diagram | | | X | | | | | | | | X |
| NS | 4207-310 | Wiring Diagram | | | | | | | | X | | | |
| NS | 4207-610 | Wiring Diagram | | | | | X | | | | | | |

* Replacement part will have a letter attached to the end of the part number to designate software version (Example: 8301-098-004**A**). A software upgrade of all PLCs onsite (units and controllers) should accompany any PLC replacement. Latest revisions of software, change log and instructions are available on the Bard website at <http://www.bardhvac.com/software-download/>

NS = Not Shown

CONTROL PANEL

| Dwg No. | Part Number | Description | W48ACPA | W48ACPB | W48ACPC | W48ACPE | W48ACPF | W48ACPQ | W48ACMA | W48ACMB | W48ACMC | W48ACEA | W48ACEB | W48ACEC |
|---------|---------------|--|---------|---------|---------|---------|---------|---------|---------|---------|---------|---------|---------|---------|
| 1 | 117-417 | Control Panel Assembly | X | X | X | X | X | X | X | X | X | X | X | X |
| 3 | 135-394 | Wire Shield | X | X | X | X | X | X | X | X | X | X | X | X |
| 4 | 8607-055 | Terminal Designation (11-20) | X | X | X | X | X | X | X | X | X | X | X | X |
| 5 | 8607-056 | Terminal Designation (1-10) | X | X | X | X | X | X | X | X | X | X | X | X |
| 6 | 8201-130 | Relay, SPDT, Pilot Duty | X | X | X | X | X | 2 | X | X | X | X | X | X |
| 7 | 8201-174BX | 3 Phase Line Monitor 50/60 HZ | | X | X | X | X | X | | X | X | | X | X |
| 8 | 8201-176BX | Compressor Control Module | X | X | X | X | X | X | X | X | X | X | X | X |
| 9 | 8611-150 | Terminal Block DIN Rail | X | X | X | X | X | X | X | X | X | X | X | X |
| 10 | 8301-098-004* | UPC3-C2 MULTI-TEC | X | X | X | X | X | X | X | X | X | X | X | X |
| 11 | 8401-037 | Contactor 3 Pole 30 Amp w/Aux. Contact | | X | X | X | X | X | | X | X | | X | X |
| 11 | 8401-038 | Contactor 2 Pole 40 Amp w/Aux. Contact | X | | | | | | X | | | X | | |
| 12 | 8301-075 | USB Micro Cable Female to Male | X | X | X | X | X | X | X | X | X | X | X | X |
| 13 | 8407-065 | Transformer 208/240-24 75VA | X | X | | X | X | X | X | | | X | X | |
| 13 | 8407-072 | Transformer 460/24VAC 75VA | | | X | | | | | | X | | | X |
| 14 | 8611-144 | End Clamp for DIN Rail | 4 | 4 | 4 | 4 | 4 | 4 | 4 | 4 | 4 | 4 | 4 | 4 |
| 15 | 8607-017 | Terminal Block 240V 2 Terminal | X | X | X | X | X | 2 | X | X | X | X | X | X |
| 16 | 8611-194 | Jumper 2 Position | X | X | X | X | X | X | X | X | X | X | X | X |
| 17 | 8611-195 | Jumper 4 Position | X | X | X | X | X | X | X | X | X | X | X | X |
| 18 | 8611-151 | Terminal Block End Cap for DIN Rail | X | X | X | X | X | X | X | X | X | X | X | X |
| 19 | 8552-004 | Capacitor 7-1/2MFD 370V 1-1/4" O | | | X | | X | | | | X | | | X |
| 19 | 8552-005 | Capacitor 10MFD 370V1-1/4" O | | X | | X | | X | | X | | | X | |
| 19 | 8552-089 | Capacitor 70/10 MFD 370V | X | | | | | | X | | | X | | |
| 20 | 8611-147 | 3-Pin Circuit Board Connector | X | X | X | X | X | X | X | X | X | X | X | X |
| 21 | 8611-148 | 4-Pin Circuit Board Connector | X | X | X | X | X | X | X | X | X | X | X | X |
| 22 | 8611-149 | 9-Pin Circuit Board Connector | X | X | X | X | X | X | X | X | X | X | X | X |
| 23 | 8611-185 | 8-Pin Circuit Board Connector | X | X | X | X | X | X | X | X | X | X | X | X |
| 25 | 8611-192 | 3-Pin Circuit Board Connector | X | X | X | X | X | X | X | X | X | X | X | X |
| 26 | 8611-183 | 2-Pin Circuit Board Connector | X | X | X | X | X | X | X | X | X | X | X | X |
| 27 | 8614-058 | 2-Pole Fuse Holder | | | | | | X | | | | | | |
| 27 | 8614-042 | 7 Amp Class CC Fuse | | | | | | 2 | | | | | | |
| NS | 8611-210 | 2-1/2" DIN Rail | | | | | | X | | | | | | |
| NS | 4207-109 | Wiring Diagram | X | | | | | | | | | X | | |
| NS | 4207-110 | Wiring Diagram | | | | | | | X | | | | | |
| NS | 4207-209 | Wiring Diagram | | X | | X | | | | | | | X | |
| NS | 4207-210 | Wiring Diagram | | | | | | | | X | | | | |
| NS | 4207-309 | Wiring Diagram | | | X | | | | | | | | | X |
| NS | 4207-310 | Wiring Diagram | | | | | | | | | X | | | |
| NS | 4207-610 | Wiring Diagram | | | | | X | | | | | | | |
| NS | 4207-705 | Wiring Diagram | | | | | | X | | | | | | |

* Replacement part will have a letter attached to the end of the part number to designate software version (Example: 8301-098-004**A**). A software upgrade of all PLCs onsite (units and controllers) should accompany any PLC replacement. Latest revisions of software, change log and instructions are available on the Bard website at <http://www.bardhvac.com/software-download/>

NS = Not Shown

CONTROL PANEL

| Dwg No. | Part Number | Description | W60ACPA | W60ACPB | W60ACPC | W60ACPE | W60ACPF | W60ACPQ | W60ACMA | W60ACMB | W60ACMC | W60ACEA | W60ACEB | W60ACEC |
|---------|---------------|--|---------|---------|---------|---------|---------|---------|---------|---------|---------|---------|---------|---------|
| 1 | 117-417 | Control Panel Assembly | X | X | X | X | X | X | X | X | X | X | X | X |
| 3 | 135-394 | Wire Shield | X | X | X | X | X | X | X | X | X | X | X | X |
| 4 | 8607-055 | Terminal Designation (11-20) | X | X | X | X | X | X | X | X | X | X | X | X |
| 5 | 8607-056 | Terminal Designation (1-10) | X | X | X | X | X | X | X | X | X | X | X | X |
| 6 | 8201-130 | Relay, SPDT, Pilot Duty | X | X | X | X | X | X | X | X | X | X | X | X |
| 7 | 8201-174BX | 3 Phase Line Monitor 50/60 HZ | | X | X | X | X | | X | X | | X | X | |
| 8 | 8201-176BX | Compressor Control Module | X | X | X | X | X | X | X | X | X | X | X | X |
| 9 | 8611-150 | Terminal Block DIN Rail | X | X | X | X | X | X | X | X | X | X | X | X |
| 10 | 8301-098-004* | UPC3-C2 MULTI-TEC | X | X | X | X | X | X | X | X | X | X | X | X |
| 11 | 8401-037 | Contactor 3 Pole 30 Amp w/Aux. Contact | | X | X | X | X | | X | X | | X | X | |
| 11 | 8401-038 | Contactor 2 Pole 40 Amp w/Aux. Contact | X | | | | | | X | | | X | | |
| 12 | 8301-075 | USB Micro Cable Female to Male | X | X | X | X | X | X | X | X | X | X | X | X |
| 13 | 8407-065 | Transformer 208/240-24 75VA | X | X | | X | X | X | X | | X | X | | |
| 13 | 8407-072 | Transformer 460/24VAC 75VA | | | X | | | | | | X | | | X |
| 14 | 8611-144 | End Clamp for DIN Rail | 4 | 4 | 4 | 4 | 4 | 4 | 4 | 4 | 4 | 4 | 4 | 4 |
| 15 | 8607-017 | Terminal Block 240V 2 Terminal | X | X | X | X | X | 2 | X | X | X | X | X | X |
| 16 | 8611-194 | Jumper 2 Position | X | X | X | X | X | X | X | X | X | X | X | X |
| 17 | 8611-195 | Jumper 4 Position | X | X | X | X | X | X | X | X | X | X | X | X |
| 18 | 8611-151 | Terminal Block End Cap for DIN Rail | X | X | X | X | X | X | X | X | X | X | X | X |
| 19 | 8552-004 | Capacitor 7-1/2MFD 370V 1-1/4" O | | | X | X | | | | X | | | | X |
| 19 | 8552-005 | Capacitor 10MFD 370V1-1/4" O | | X | | X | | | | X | | | X | |
| 19 | 8552-089 | Capacitor 70/10 MFD 370V | X | | | | | | X | | | X | | |
| 20 | 8611-147 | 3-Pin Circuit Board Connector | X | X | X | X | X | X | X | X | X | X | X | X |
| 21 | 8611-148 | 4-Pin Circuit Board Connector | X | X | X | X | X | X | X | X | X | X | X | X |
| 22 | 8611-149 | 9-Pin Circuit Board Connector | X | X | X | X | X | X | X | X | X | X | X | X |
| 23 | 8611-185 | 8-Pin Circuit Board Connector | X | X | X | X | X | X | X | X | X | X | X | X |
| 25 | 8611-192 | 3-Pin Circuit Board Connector | X | X | X | X | X | X | X | X | X | X | X | X |
| 26 | 8611-183 | 2-Pin Circuit Board Connector | X | X | X | X | X | X | X | X | X | X | X | X |
| 27 | 8614-058 | 2-Pole Fuse Holder | | | | | | X | | | | | | |
| 27 | 8614-042 | 7 Amp Class CC Fuse | | | | | | 2 | | | | | | |
| NS | 8611-210 | 2-1/2" DIN Rail | | | | | | X | | | | | | |
| NS | 4207-109 | Wiring Diagram | X | | | | | | | | | X | | |
| NS | 4207-110 | Wiring Diagram | | | | | | | X | | | | | |
| NS | 4207-209 | Wiring Diagram | | X | | X | | | | | | | X | |
| NS | 4207-210 | Wiring Diagram | | | | | | | | X | | | | |
| NS | 4207-309 | Wiring Diagram | | | X | | | | | | | | | X |
| NS | 4207-310 | Wiring Diagram | | | | | | | | X | | | | |
| NS | 4207-610 | Wiring Diagram | | | | X | | | | | | | | |
| NS | 4207-706 | Wiring Diagram | | | | | X | | | | | | | |

* Replacement part will have a letter attached to the end of the part number to designate software version (Example: 8301-098-004**A**). A software upgrade of all PLCs onsite (units and controllers) should accompany any PLC replacement. Latest revisions of software, change log and instructions are available on the Bard website at <http://www.bardhvac.com/software-download/>

NS = Not Shown

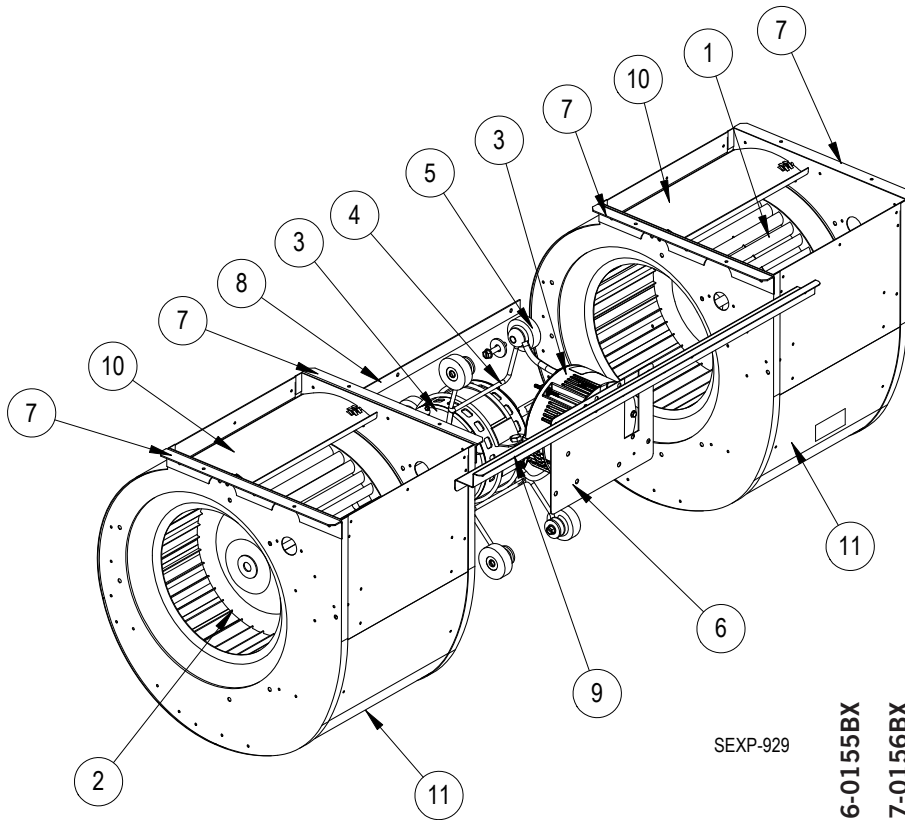
CONTROL PANEL

| Dwg No. | Part Number | Description | W72ACPA | W72ACPB | W72ACPC | W72ACPF | W72ACPQ | W72ACMA | W72ACMB | W72ACMC | W72ACEA | W72ACEB | W72ACEC |
|---------|---------------|--|---------|---------|---------|---------|---------|---------|---------|---------|---------|---------|---------|
| 1 | 117-417 | Control Panel Assembly | X | X | X | X | X | X | X | X | X | X | X |
| 3 | 135-394 | Wire Shield | X | X | X | X | X | X | X | X | X | X | X |
| 4 | 8607-055 | Terminal Designation (11-20) | X | X | X | X | X | X | X | X | X | X | X |
| 5 | 8607-056 | Terminal Designation (1-10) | X | X | X | X | X | X | X | X | X | X | X |
| 6 | 8201-130 | Relay, SPDT, Pilot Duty | X | X | X | X | X | X | X | X | X | X | X |
| 7 | 8201-174BX | 3 Phase Line Monitor 50/60 HZ | | X | X | X | X | | X | X | | X | X |
| 8 | 8201-176BX | Compressor Control Module | X | X | X | X | X | X | X | X | X | X | X |
| 9 | 8611-150 | Terminal Block DIN Rail | X | X | X | X | X | X | X | X | X | X | X |
| 10 | 8301-098-004* | UPC3-C2 MULTI-TEC | X | X | X | X | X | X | X | X | X | X | X |
| 11 | 8401-037 | Contactor 3 Pole 30 Amp w/Aux. Contact | | X | X | X | X | | X | X | | X | X |
| 11 | 8401-038 | Contactor 2 Pole 40 Amp w/Aux. Contact | X | | | | | X | | | X | | |
| 12 | 8301-075 | USB Micro Cable Female to Male | X | X | X | X | X | X | X | X | X | X | X |
| 13 | 8407-065 | Transformer 208/240-24 75VA | X | X | | X | X | X | | X | X | | |
| 13 | 8407-072 | Transformer 460/24VAC 75VA | | | X | | | | | X | | | X |
| 14 | 8611-144 | End Clamp for DIN Rail | 4 | 4 | 4 | 4 | 4 | 4 | 4 | 4 | 4 | 4 | 4 |
| 15 | 8607-017 | Terminal Block 240V 2 Terminal | X | X | X | X | 2 | X | X | X | X | X | X |
| 16 | 8611-194 | Jumper 2 Position | X | X | X | X | X | X | X | X | X | X | X |
| 17 | 8611-195 | Jumper 4 Position | X | X | X | X | X | X | X | X | X | X | X |
| 18 | 8611-151 | Terminal Block End Cap for DIN Rail | X | X | X | X | X | X | X | X | X | X | X |
| 19 | 8552-004 | Capacitor 7-1/2MFD 370V 1-1/4" O | | X | | | | | X | | | X | |
| 19 | 8552-005 | Capacitor 10MFD 370V1-1/4" O | | | X | X | | | | X | | | X |
| 19 | 8552-097 | Capacitor 80/7.5 440V 2-1/2" R | X | | | | | X | | | X | | |
| 20 | 8611-147 | 3-Pin Circuit Board Connector | X | X | X | X | X | X | X | X | X | X | X |
| 21 | 8611-148 | 4-Pin Circuit Board Connector | X | X | X | X | X | X | X | X | X | X | X |
| 22 | 8611-149 | 9-Pin Circuit Board Connector | X | X | X | X | X | X | X | X | X | X | X |
| 23 | 8611-185 | 8-Pin Circuit Board Connector | X | X | X | X | X | X | X | X | X | X | X |
| 25 | 8611-192 | 3-Pin Circuit Board Connector | X | X | X | X | X | X | X | X | X | X | X |
| 26 | 8611-183 | 2-Pin Circuit Board Connector | X | X | X | X | X | X | X | X | X | X | X |
| 27 | 8614-058 | 2-Pole Fuse Holder | | | | | X | | | | | | |
| 27 | 8614-042 | 7 Amp Class CC Fuse | | | | | 2 | | | | | | |
| NS | 8611-210 | 2-1/2" DIN Rail | | | | | X | | | | | | |
| NS | 4207-109 | Wiring Diagram | X | | | | | | | | X | | |
| NS | 4207-110 | Wiring Diagram | | | | | | X | | | | | |
| NS | 4207-209 | Wiring Diagram | | X | | | | | | | | X | |
| NS | 4207-210 | Wiring Diagram | | | | | | | X | | | | |
| NS | 4207-309 | Wiring Diagram | | | X | | | | | | | | X |
| NS | 4207-310 | Wiring Diagram | | | | | | | X | | | | |
| NS | 4207-610 | Wiring Diagram | | | | X | | | | | | | |
| NS | 4207-706 | Wiring Diagram | | | | | X | | | | | | |

* Replacement part will have a letter attached to the end of the part number to designate software version (Example: 8301-098-004A). A software upgrade of all PLCs onsite (units and controllers) should accompany any PLC replacement. Latest revisions of software, change log and instructions are available on the Bard website at <http://www.bardhvac.com/software-download/>

NS = Not Shown

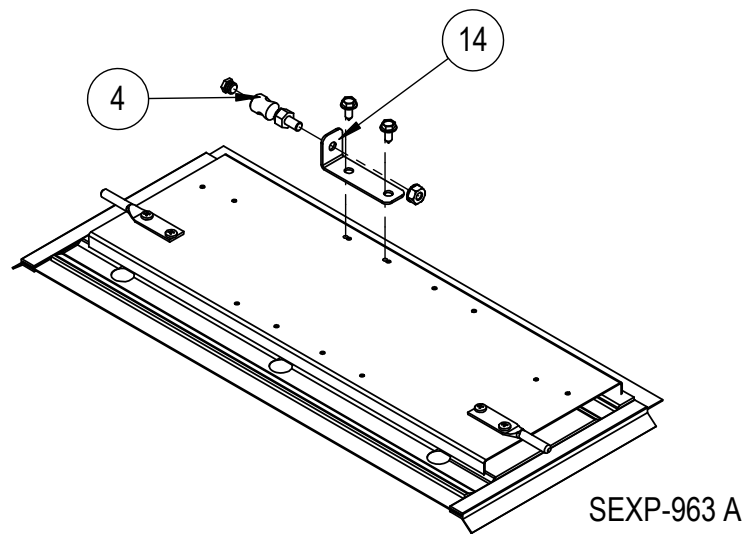
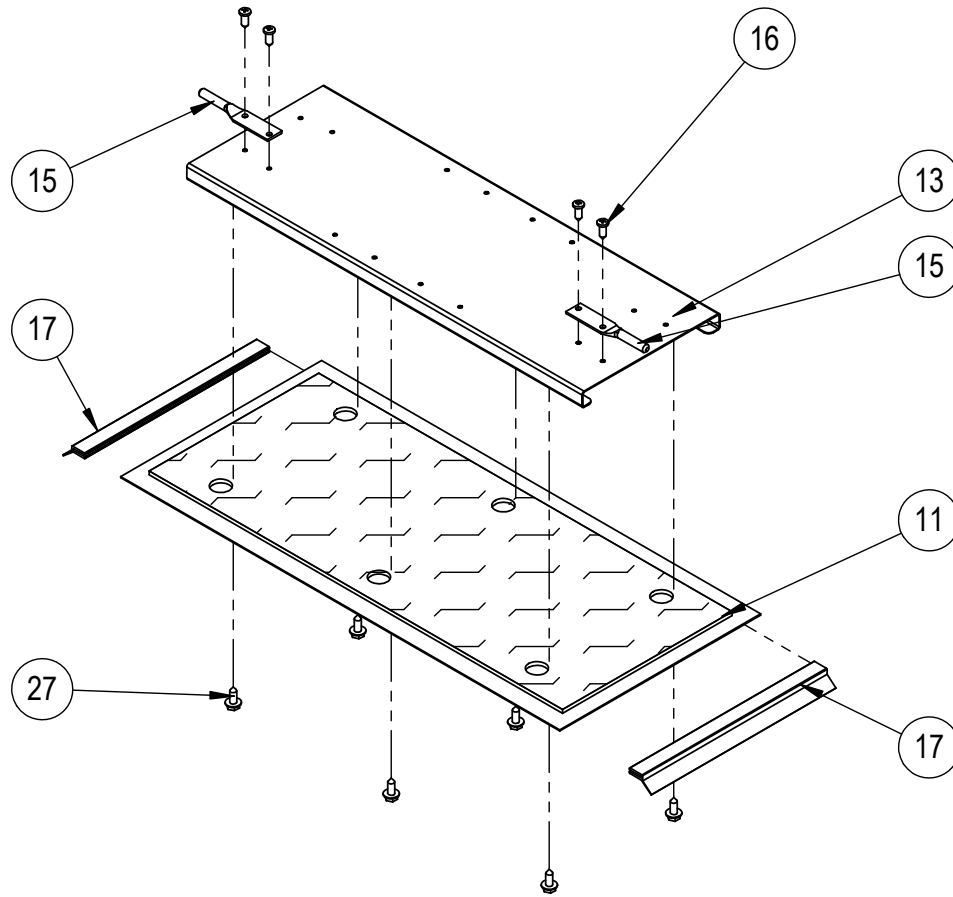
BLOWER ASSEMBLY



SEXP-929

| Dwg No. | Part Number | Description | 900-366-0155BX | 900-367-0156BX | 900-368-0157BX | 900-368-0159BX | 900-368-0161BX | 900-369-0158BX | 900-369-0160BX | 900-369-0162BX |
|---------|----------------|--|----------------|----------------|----------------|----------------|----------------|----------------|----------------|----------------|
| 1 | 5152-011 | 10 Inch Wheel (CW) | X | X | X | X | X | X | X | X |
| 2 | 5152-012 | 10 Inch Wheel (CW) | X | X | X | X | X | X | X | X |
| 3 | S8106-068-0155 | Programmed Blower Motor & Control (230/208V) | X | | | | | | | |
| 3 | S8106-069-0156 | Programmed Blower Motor & Control (460V) | | X | | | | | | |
| 3 | S8107-028-0157 | Programmed Blower Motor & Control (230/208V) | | | X | | | | | |
| 3 | S8107-028-0159 | Programmed Blower Motor & Control (230/208V) | | | | X | | | | |
| 3 | S8107-028-0161 | Programmed Blower Motor & Control (230/208V) | | | | | X | | | |
| 3 | S8107-029-0158 | Programmed Blower Motor & Control (460V) | | | | | | X | | |
| 3 | S8107-029-0160 | Programmed Blower Motor & Control (460V) | | | | | | | X | |
| 3 | S8107-029-0162 | Programmed Blower Motor & Control (460V) | | | | | | | | X |
| 3 | C8106-074-0155 | Programmed Control Only (230/208V) | 0 | | | | | | | |
| 3 | C8106-075-0156 | Programmed Control Only (460V) | | 0 | | | | | | |
| 3 | C8107-030-0157 | Programmed Control Only (230/208V) | | | 0 | | | | | |
| 3 | C8107-030-0159 | Programmed Control Only (230/208V) | | | | 0 | | | | |
| 3 | C8107-030-0161 | Programmed Control Only (230/208V) | | | | | 0 | | | |
| 3 | C8107-031-0158 | Programmed Control Only (460V) | | | | | | 0 | | |
| 3 | C8107-031-0160 | Programmed Control Only (460V) | | | | | | | 0 | |
| 3 | C8107-031-0162 | Programmed Control Only (460V) | | | | | | | | 0 |
| 4 | 8200-040 | Motor Mount | X | X | X | X | X | X | X | X |
| 5 | 5451-011 | Grommets | 6 | 6 | 6 | 6 | 6 | 6 | 6 | 6 |
| 6 | 112-775 | Motor Control Bracket | X | X | X | X | X | X | X | X |
| 7 | 105-880 | Side Angle | 4 | 4 | 4 | 4 | 4 | 4 | 4 | 4 |
| 8 | 105-881 | Back Brace | X | X | X | X | X | X | X | X |
| 9 | 103-541 | Front Mounting Offset | X | X | X | X | X | X | X | X |
| 10 | 144-166 | Diffuser | 2 | 2 | 2 | 2 | 2 | 2 | 2 | 2 |
| 11 | 151-101 | Blower Housing | 2 | 2 | 2 | 2 | 2 | 2 | 2 | 2 |

INTAKE BLADE ASSEMBLY

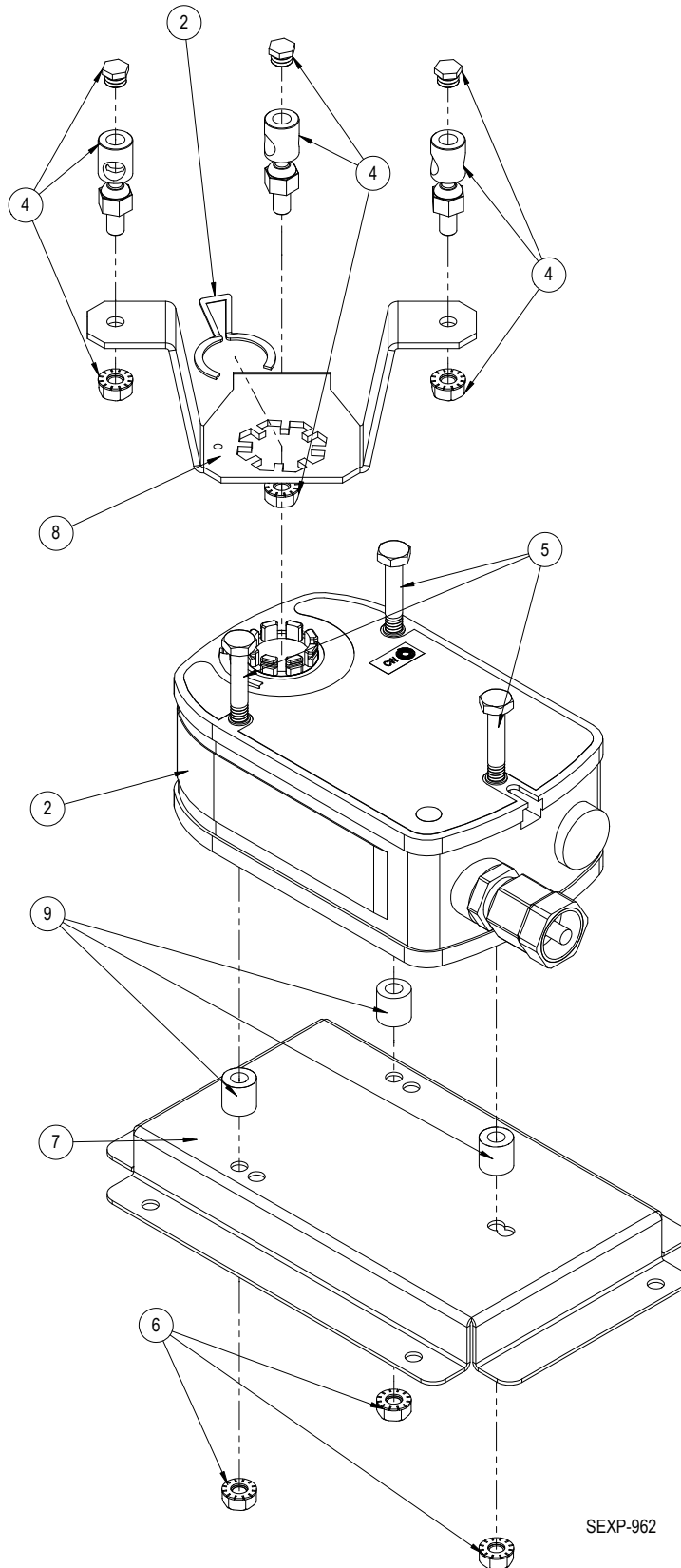


SEXP-963 A

INTAKE BLADE ASSEMBLY

| Drawing No. | Part No. | Description | |
|-------------|---------------|-----------------------------|---|
| 4 | 8602-008 | BALL JOINT | X |
| 11 | 138-419 | INTAKE BLADE | X |
| 12 | 1913-125 | INSULATION | X |
| 13 | 141-496 | INTAKE BLADE SUPPORT | X |
| 14 | 113-772 | BALL JOINT MOUNTING BRACKET | X |
| 15 | 8602-106 | 1/4" ROUND END BEARING | 2 |
| 17 | 1921-067-0700 | 7" DAMPER BLADE SEAL | 2 |

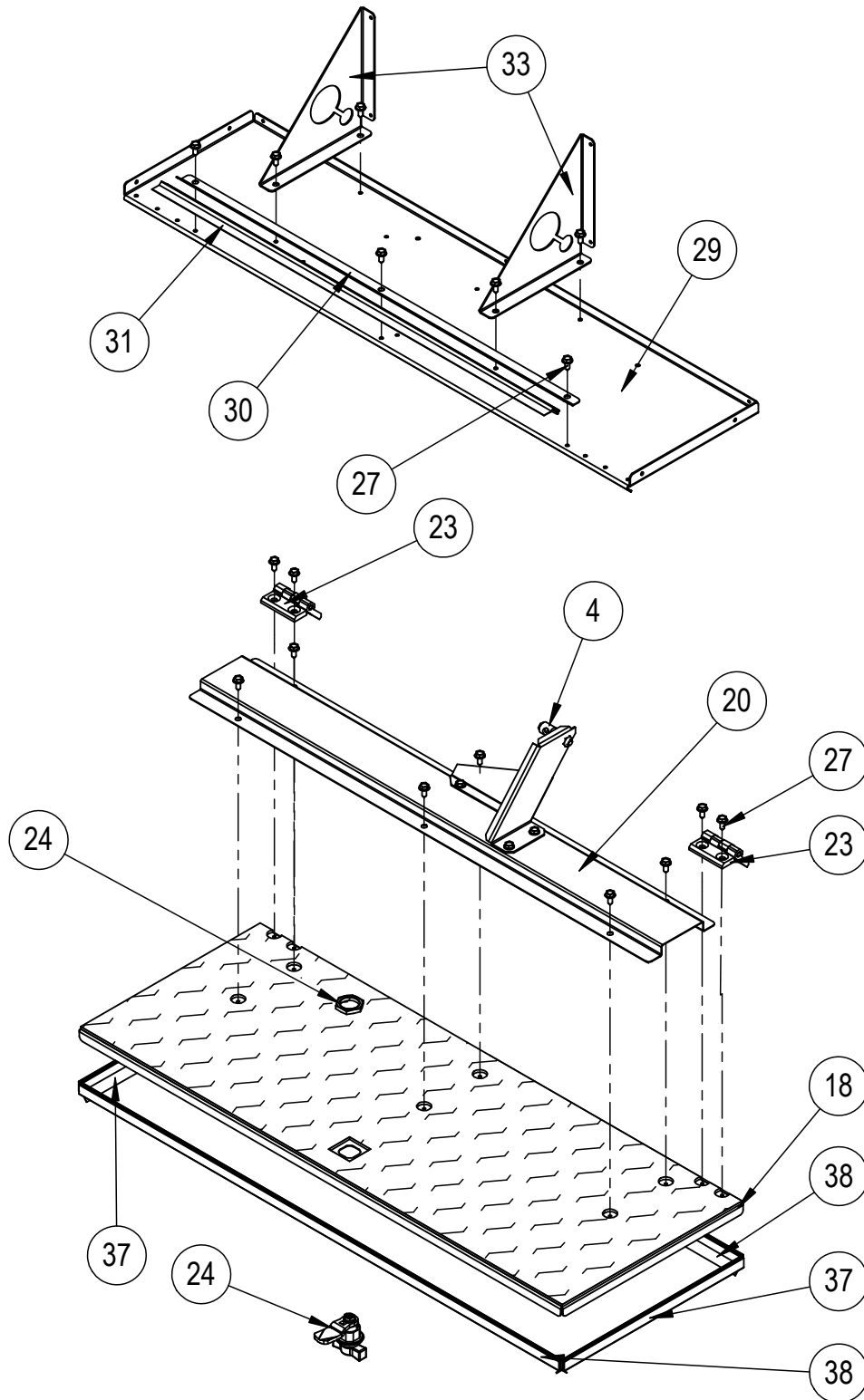
ACTUATOR ASSEMBLY



ACTUATOR ASSEMBLY

| Drawing No. | Part No. | Description | |
|-------------|----------|------------------------------------|---|
| 2 | 8602-075 | DIRECT COUPLED ACTUATOR | X |
| 4 | 8602-008 | BALL JOINTS | 3 |
| 5 | 1012-174 | 1/4"-20X3-1/4 HEX - CAP SCREW | 3 |
| 6 | 1012-201 | 1/4-20 STEEL KEPS HEX NUT ZINC | 3 |
| 7 | 141-495 | ACTUATOR SUPPORT PLATE | X |
| 8 | 139-432 | ACTUATOR TRI-ARM | X |
| 9 | 5451-029 | NYLON SLEEVE .257" I.D. X .5" LONG | 3 |

BASE ASSEMBLY AND EXHAUST BLADE ASSEMBLY

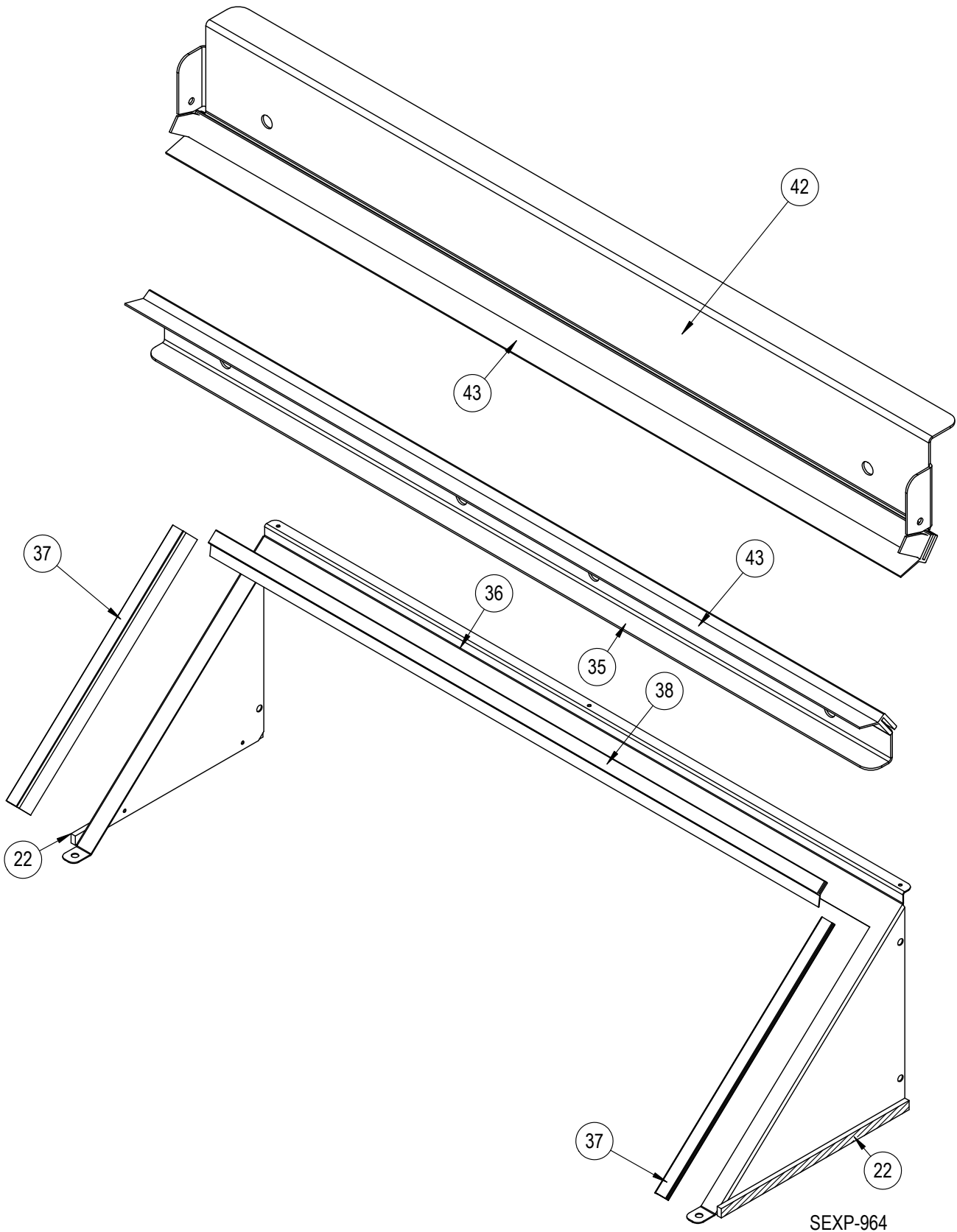


SEXP-961

BASE ASSEMBLY AND EXHAUST BLADE ASSEMBLY

| Drawing No. | Part No. | Description | |
|--------------------|-----------------|--------------------------------|---|
| 4 | 8602-008 | BALL JOINT | X |
| 18 | 139-420 | EXHAUST BLADE | X |
| 19 | 1913-126 | INSULATION | X |
| 20 | 141-497 | EXHAUST BLADE SUPPORT | X |
| 21 | 139-421 | EXHAUST BLADE ARM | X |
| 23 | 5400-010 | METAL DBL LEAF HINGE 50 X 50MM | 2 |
| 24 | 1171-072 | 1/4 TURN - WING KNOB LATCH | X |
| 29 | 127-578 | BASE | X |
| 30 | 105-1461 | EXHAUST SEAL ANGLE | X |
| 31 | 1921-067-2303 | 23-3/16" DAMPER BLADE SEAL | X |
| 33 | 141-499 | BASE SUPPORT GUSSET | 2 |
| 37 | 1921-067-1010 | 10-5/8" DAMPER BLADE SEAL | 2 |
| 38 | 1921-067-2806 | 28-3/8" DAMPER BLADE SEAL | 2 |

EXHAUST PARTITION ASSEMBLY/INTAKE SEAL ANGLE ASSEMBLY

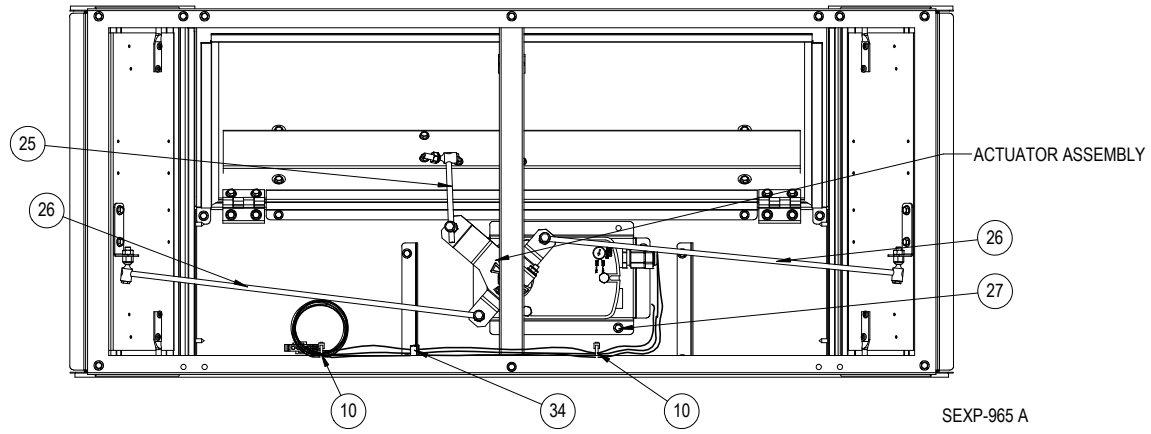
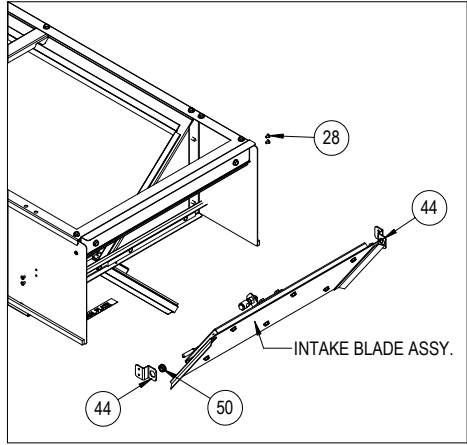
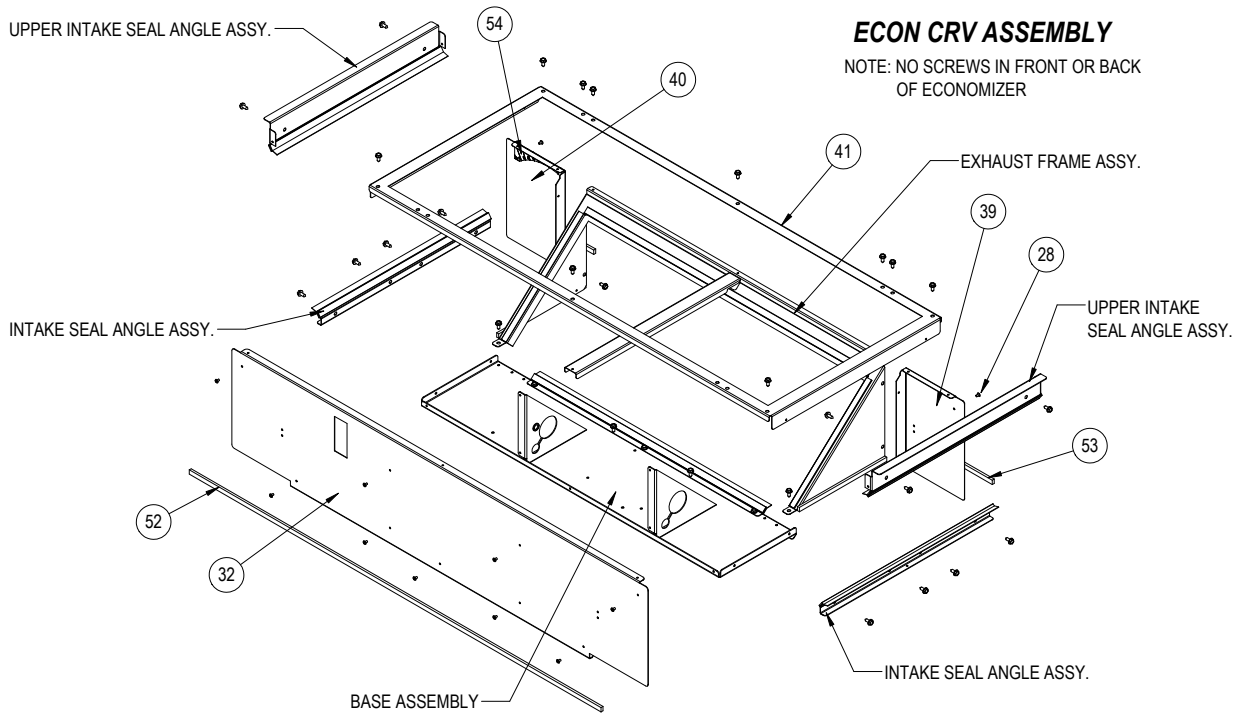


SEXP-964

EXHAUST PARTITION ASSEMBLY/INTAKE SEAL ANGLE ASSEMBLY

| Drawing No. | Part No. | Description | |
|--------------------|-----------------|------------------------------|---|
| 22 | 1913-079-0812 | 8-3/4" SFO W/PSA .197 X .375 | 2 |
| 35 | 105-1460 | LOWER INTAKE SEAL ANGLE | X |
| 36 | 139-422 | EXHAUST FRAME | X |
| 37 | 1921-067-1010 | 10-5/8" DAMPER BLADE SEAL | 2 |
| 38 | 1921-067-2806 | 28-3/8" DAMPER BLADE SEAL | X |
| 42 | 105-1459 | UPPER INTAKE SEAL ANGLE | X |
| 43 | 1921-067-1614 | 16-7/8" DAMPER BLADE SEAL | X |

VENT ASSEMBLY



VENT ASSEMBLY

| Drawing No. | Part No. | Description | |
|-------------|---------------|------------------------------------|---|
| 10 | 7950-012 | PUSH MOUNT CABLE TIE 6-1/8" | 2 |
| 25 | 8602-104 | 1/4 X 4-1/4" ROD | X |
| 26 | 8602-105 | 1/4 X 17-1/4" ROD | 2 |
| 32 | 115-332 | FRONT | X |
| 34 | 8611-047 | OPEN/CLOSE SNAP BUSHING 3/4" | X |
| 39 | 139X424 | REAR INTAKE PARTITION - RH | X |
| 40 | 139Y424 | REAR INTAKE PARTITION - LH | X |
| 41 | 107-385 | TOP | X |
| 44 | 113-773 | DAMPER PIVOT BRACKET | 4 |
| 50 | 8611-239 | 1/2" SNAP-IN SMOOTH BORE BSHNG | 4 |
| 52 | 1913-079-4104 | 41-1/4" SFO W/PSA .197 X .375 | X |
| 53 | 1913-079-0514 | 5-7/8" SFO W/PSA .197 X .375 | 2 |
| 54 | 7961-904 | CRVV-5 Position Label | X |
| NS | 7003-084 | MIST FILTER | 2 |
| NS | 7003-083 | EXHAUST BUG SCREEN | X |
| NS | 543-223 | SIDE VENT BLOCK OFF PLATE ASSEMBLY | 2 |
| NS | 539-405 | INTAKE SEALING FRAME | 2 |
| NS | 8406-150 | MAGNETIC REED SWITCH | X |
| NS | 4056-246 | WIRING DIAGRAM | X |