
REPLACEMENT PARTS MANUAL

Wall-Mounted Packaged Air Conditioner

Models:

W30AF-A	W36AF-A	W30AFDA	W36AFDA
W30AF-B	W36AF-B	W30AFDB	W36AFDB
W30AF-C	W36AF-C	W30AFDC	W36AFDC
W30AF-D	W36AFRC		W36AFDV
W30AF-F	W36AF-E		
	W36AF-F		

Contents

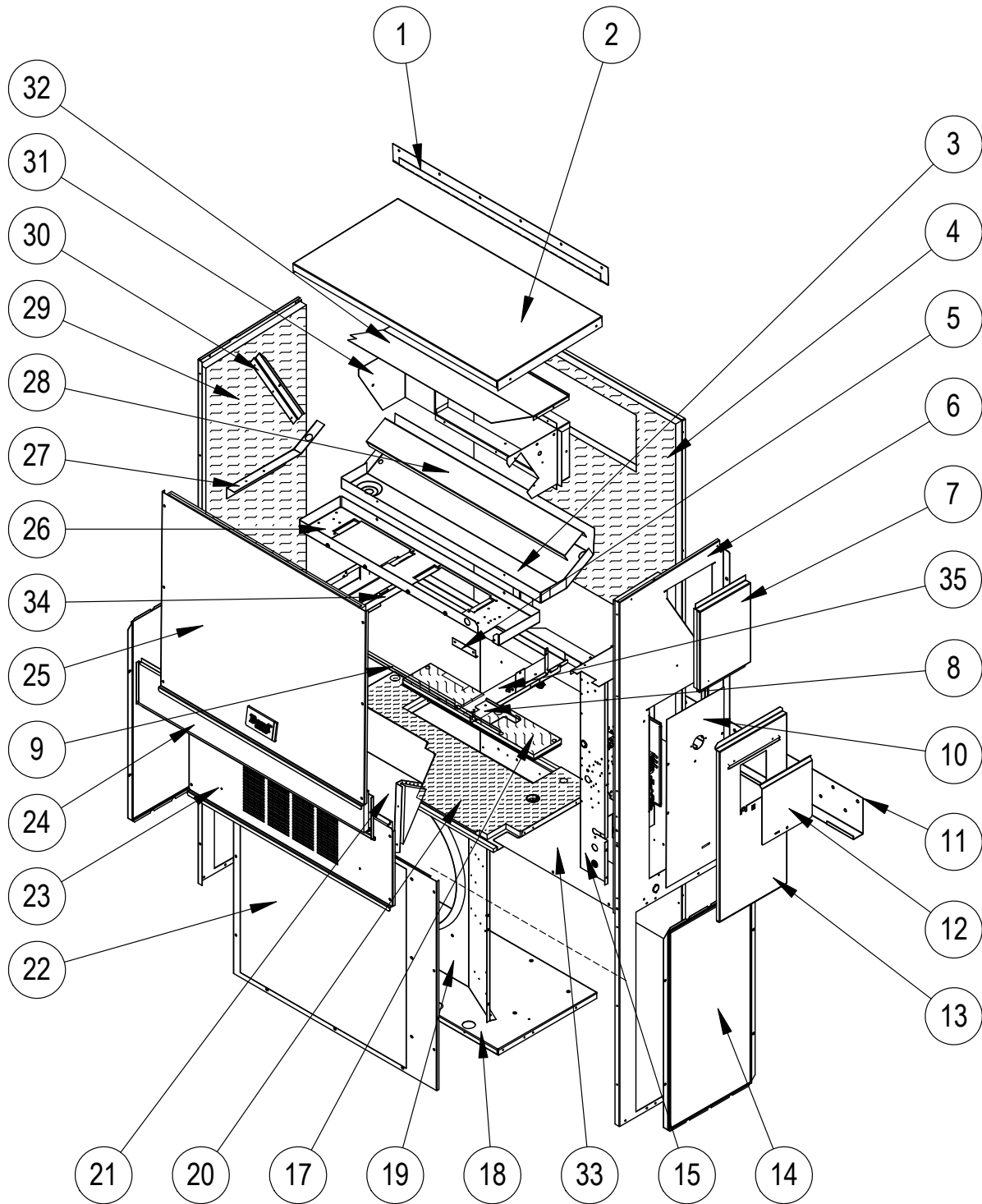
Description	Page	Description	Page
Cabinet Components – Standard & Dehum.		Blower Assembly	
♦ Exploded View	2	♦ Exploded View	14
♦ Usage List	3	♦ Usage List	14
♦ Usage List	4		
Functional Components		General Notes	
♦ Exploded View	6	➤ Revised and/or additional pages may be issued from time to time.	
♦ Usage List – Standard	7	➤ A complete and current manual consists of pages shown in the following contents section.	
♦ Usage List – Dehum.	8		
EEV Controller Assembly		Important	
♦ Exploded View	9	➤ Contact the installing and/or local Bard distributor for all parts requirements. Make sure you have the complete model and serial number available from the unit rating plates.	
♦ Usage List	9		
Control Panel – Standard			
♦ Layout View	10		
♦ Usage List	11		
Control Panel – Dehum.			
♦ Layout View	12		
♦ Usage List	13		



Bard Manufacturing Company, Inc.
Bryan, Ohio 43506
www.bardhvac.com

Manual: 2110-1483A
Supersedes: 2110-1483
Date: 11-8-24

CABINET COMPONENTS - STANDARD & DEHUMIDIFICATION



This drawing to be used for reference for pages 3 and 4

SEXP-1102

CABINET COMPONENTS – STANDARD & DEHUMIDIFICATION

Dwg No.	Part Number	Description	W30AF-A, B, D	W30AF-C, F	W30AFDA, B	W30AFDC	W36AF-A, B, E	W36AF-C, F, RC	W36AFDA, B	W36AFDC, V
1	113-149-*BX ①	Top Rain Flashing	X	X	X	X	X	X	X	X
1	113-360BX ②	Top Rain Flashing	X	X	X	X	X	X	X	X
1	113-149-4BX ③	Top Rain Flashing	X	X	X	X	X	X	X	X
2	507-308-*BX ①	Top	X	X	X	X	X	X	X	X
2	507-319BX ②	Top	X	X	X	X	X	X	X	X
2	507-320BX ③	Top	X	X	X	X	X	X	X	X
3	123-127BX	Drain Pan	X	X	X	X	X	X	X	X
3	123-141BX ②③	Drain Pan	X	X	X	X	X	X	X	X
4	509-451BX	Upper Back	X	X	X	X	X	X	X	X
4	509-455BX ②	Upper Back	X	X	X	X	X	X	X	X
4	509-453BX ③	Upper Back	X	X	X	X	X	X	X	X
5	105-1302BX	Grommet Retainer	X	X	X	X	X	X	X	X
6	501-933-*BX ①	Right Side	X	X	X	X	X	X	X	X
6	501-994BX ②	Right Side	X	X	X	X	X	X	X	X
6	501-937BX ③	Right Side	X	X	X	X	X	X	X	X
7	543-175-*BX ①	Right Side Cover Plate (Outer)	X	X	X	X	X	X	X	X
7	543-185BX ②	Right Side Cover Plate (Outer)	X	X	X	X	X	X	X	X
7	543-184BX ③	Right Side Cover Plate (Outer)	X	X	X	X	X	X	X	X
8	137X1101BX	Filter Fill Plate	X	X	X	X	X	X	X	X
9	131-194BX	Filter Partition Bracket	X	X	X	X	X	X	X	X
10	132-104BX	Control Panel Cover (Inner)	X		X		X		X	
10	132-172BX	Control Panel Cover (Inner)		X		X		X		X
11	113-140BX	Bottom Mounting Bracket	X	X	X	X	X	X	X	X
12	153-218-*BX ①	Disconnect Access Door	X	X	X	X	X	X	X	X
12	153-405BX ②	Disconnect Access Door	X	X	X	X	X	X	X	X
12	153-387BX ③	Disconnect Access Door	X	X	X	X	X	X	X	X
13	533-228-*BX ①	Control Panel Cover (Outer)	X	X	X	X	X	X	X	X
13	533-235BX ②	Control Panel Cover (Outer)	X	X	X	X	X	X	X	X
13	533-236BX ③	Control Panel Cover (Outer)	X	X	X	X	X	X	X	X
14	118-124-*BX ①	Side Grille	2	2	2	2	2	2	2	2
14	118-140BX ②	Side Grille	2	2	2	2	2	2	2	2
14	118-141BX ③	Side Grille	2	2	2	2	2	2	2	2
15	Control Panel Assembly	See Control Panel on pages 10 – 13	X	X	X	X	X	X	X	X
17	536-498BX	Cond. Partition Block Off Plate	X	X	X	X	X	X	X	X
17	536-877BX ②	Cond. Partition Block Off Plate	X	X	X	X	X	X	X	X
18	127-471BX	Lower Base	X	X	X	X	X	X	X	X
18	127-528BX ②	Lower Base	X	X	X	X	X	X	X	X
19	125-081BX	Fan Shroud	X	X	X	X	X	X	X	X
19	125-083BX ②	Fan Shroud	X	X	X	X	X	X	X	X
20	521X527BX	Condenser Partition	X	X	X	X	X	X	X	X
20	521-552BX ②	Condenser Partition	X	X	X	X	X	X	X	X
21	FAD-NE3	Fresh Air Damper Assembly	X	X	X	X	X	X	X	X

Continued on page 4

① Exterior cabinet parts are manufactured with various paint color options. To ensure the proper paint color is received, include the complete model and serial number of the unit for which cabinet parts are being ordered.

② Exterior cabinet parts are manufactured from stainless steel Code "S"

③ Exterior cabinet parts are manufactured from aluminum Code "A"

CABINET COMPONENTS – STANDARD & DEHUMIDIFICATION

Dwg No.	Part Number	Description	W30AF-A, B, D	W30AF-C, F	W30AFDA, B	W30AFDC	W36AF-A, B, E	W36AF-C, F, RC	W36AFDA, B	W36AFDC, V
<i>Continued from page 3</i>										
22	118-103-*BX ①	Condenser Grille	X	X	X	X	X	X	X	X
22	118-108BX ②	Condenser Grille	X	X	X	X	X	X	X	X
22	118-145BX ③	Condenser Grille	X	X	X	X	X	X	X	X
23	553-523-*BX ①	Vent Option Door	X	X	X	X	X	X	X	X
23	553-540-*BX ①	Vent Option Door with ERV	X	X	X	X	X	X	X	X
23	553-665-*BX ①	Vent Option Door with CRV or ECON-S	X	X	X	X	X	X	X	X
23	553-549BX ②	Vent Option Door	X	X	X	X	X	X	X	X
23	553-557BX ②	Vent Option Door with ERV	X	X	X	X	X	X	X	X
23	553-694BX ②	Vent Option Door with CRV or ECON-S	X	X	X	X	X	X	X	X
23	553-550BX ③	Vent Option Door	X	X	X	X	X	X	X	X
23	553-558BX ③	Vent Option Door with ERV	X	X	X	X	X	X	X	X
23	553-695BX ③	Vent Option Door with CRV or ECON-S	X	X	X	X	X	X	X	X
24	553-524-*BX ①	Filter Door	X	X	X	X	X	X	X	X
24	553-553BX ②	Filter Door	X	X	X	X	X	X	X	X
24	553-554BX ③	Filter Door	X	X	X	X	X	X	X	X
25	514-241-*BX ①	Upper Front	X	X	X	X	X	X	X	X
25	514-238BX ②	Upper Front	X	X	X	X	X	X	X	X
25	514-239BX ③	Upper Front	X	X	X	X	X	X	X	X
26	121X467BX	Blower Partition	X	X	X	X	X	X	X	X
27	105X850BX	Side Support	X	X	X	X	X	X	X	X
28	137-685BX	Bottom Evaporator Fill	X	X			X	X		
28	137-722BX	Bottom Evaporator Fill			X	X			X	X
29	501-934-*BX ①	Left Side	X	X	X	X	X	X	X	X
29	501-995BX ②	Left Side	X	X	X	X	X	X	X	X
29	501-940BX ③	Left Side	X	X	X	X	X	X	X	X
30	147-044BX	Evaporator Support	X	X	X	X	X	X	X	X
31	111X247BX	Outlet Air Frame Assembly	X	X	X	X	X	X	X	X
32	135X123BX	Heat Shield	X	X	X	X	X	X	X	X
33	109-450BX	Lower Back	X	X	X	X	X	X	X	X
33	109-454BX ②	Lower Back	X	X	X	X	X	X	X	X
33	109-452BX ③	Lower Back	X	X	X	X	X	X	X	X
34	131-190BX	Filter Tray Angle	X	X	X	X	X	X	X	X
35	131X189BX	Filter Partition	X	X	X	X	X	X	X	X
NS	135-329BX	Air Baffle	X	X			X	X		
NS	5252-033	Bard Nameplate	X	X	X	X	X	X	X	X

① Exterior cabinet parts are manufactured with various paint color options. To ensure the proper paint color is received, include the complete model and serial number of the unit for which cabinet parts are being ordered.

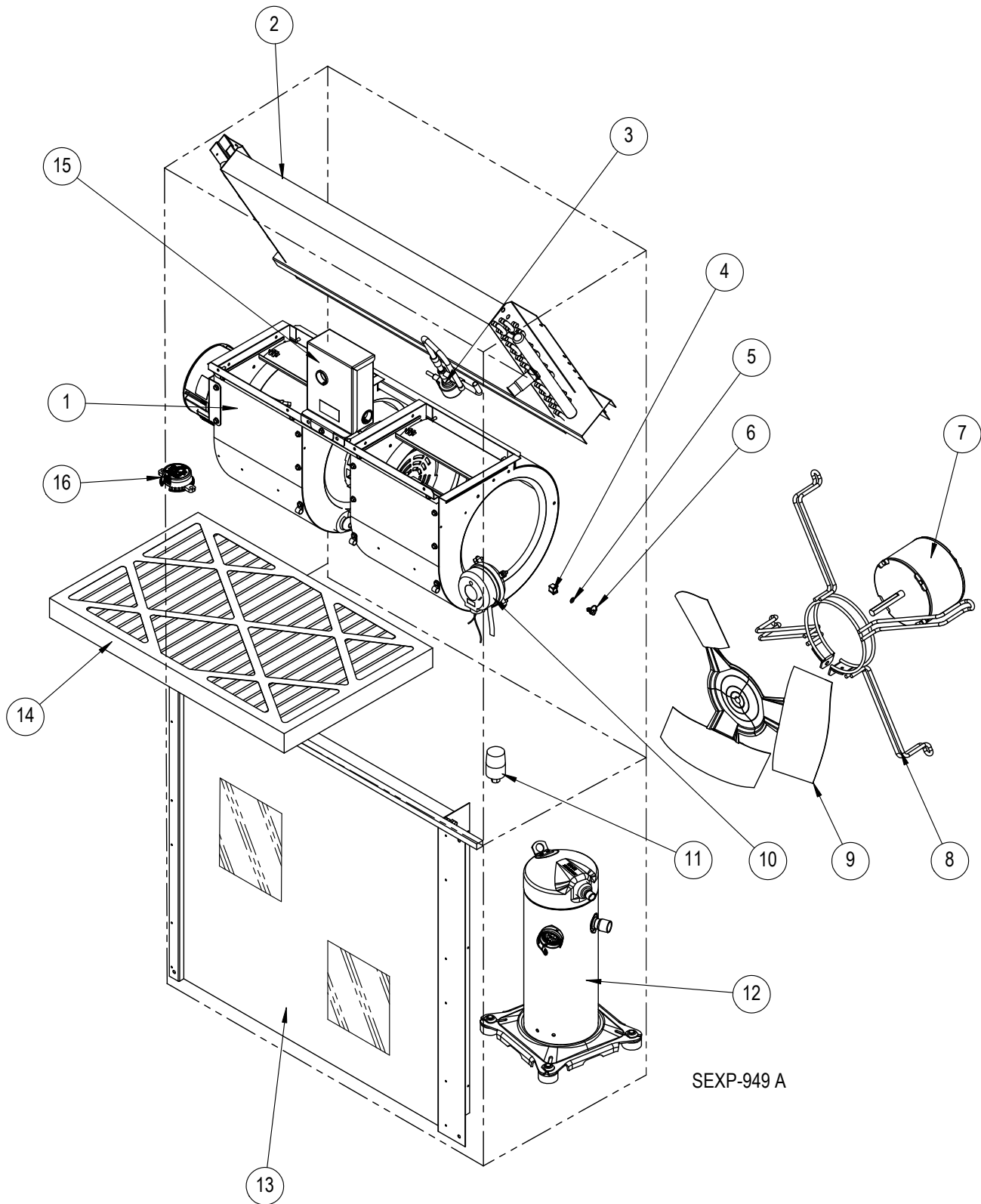
② Exterior cabinet parts are manufactured from stainless steel Code "S"

③ Exterior cabinet parts are manufactured from aluminum Code "A"

Refer to drawing on page 2

This page intentionally left blank

FUNCTIONAL COMPONENTS



This drawing to be used for reference for pages 7 and 8

FUNCTIONAL COMPONENTS - STANDARD

Dwg No.	Part Number	Description	W30AF-A	W30AF-B	W30AF-C	W30AF-D	W30AF-F	W36AF-A	W36AF-B	W36AF-C	W36AFRC	W36AF-E	W36AF-F
1	900-360-0150BX	Blower Assembly	X	X		X	X						
1	900-361-0151BX	Blower Assembly			X								
1	900-360-0152BX	Blower Assembly						X	X		X	X	X
1	900-361-0153BX	Blower Assembly								X			
2	917-0535BX	Evaporator Coil w/Distributor Assy.	X	X	X	X	X						
2	917-0536BX	Evaporator Coil - Coated w/Distributor Assy.	X	X	X	X	X						
2	917-0533BX	Evaporator Coil w/Distributor Assy.						X	X	X	X	X	X
2	917-0534BX	Evaporator Coil - Coated w/Distributor Assy.						X	X	X	X	X	X
3	800-0505BX	Distributor Assembly						X	X	X	X	X	X
3	800-0507BX	Distributor Assembly	X	X	X	X	X						
4	1171-023	1/4" Receptacle	X	X	X	X	X	X	X	X	X	X	X
5	1171-024	1/4" Turn Retainer	X	X	X	X	X	X	X	X	X	X	X
6	1171-022	1/4" Turn Fastener	X	X	X	X	X	X	X	X	X	X	X
7	8103-029BX	Condenser Motor	X	X				X	X				
7	8103-030BX	Condenser Motor			X					X	X		
7	8105-080BX	Condenser Motor				X	X					X	X
8	8200-001BX	Fan Motor Mount	X	X	X	X	X	X	X	X	X	X	X
8	8200-050BX ①	Stainless Steel Fan Motor Mount	X	X	X	X	X	X	X	X	X	X	X
9	5151-045BX	Fan Blade	X	X	X	X	X	X	X	X	X	X	X
9	5151C045BX ①	Coated Fan Blade	X	X	X	X	X	X	X	X	X	X	X
10	CMC-31	Dirty Filter Switch Kit	X	X	X	X	X	X	X	X	X	X	X
11	CMA-41	Low Ambient Control (Screw On) ②	X	X	X	X	X	X	X	X	X	X	X
12	8000-490BX	Compressor	X										
12	8000-491BX	Compressor		X									
12	8000-492BX	Compressor			X								
12	8000-497BX	Compressor				X							
12	8000-494BX	Compressor					X						
12	8000-495BX	Compressor						X					
12	8000-496BX	Compressor							X		X		
12	8000-536BX	Compressor					X					X	
12	8000-537VX	Compressor											X
13	5051-203BX	Condenser Coil	X	X	X	X	X						
13	5054-203BX	Condenser Coil - Coated	X	X	X	X	X						
13	5051-202BX	Condenser Coil						X	X	X	X	X	X
13	5054-202BX	Condenser Coil - Coated						X	X	X	X	X	X
14	7004-019	Air Filter 1" Throw-Away (16x30x1)	X	X	X	X	X	X	X	X	X	X	X
14	7003-031	Air Filter 1" Washable ② (16x30x1)	X	X	X	X	X	X	X	X	X	X	X
14	7004-026	Air Filter 2" Pleated ② (16x30x2)	X	X	X	X	X	X	X	X	X	X	X
14	7004-048	Air Filter 2" Pleated MERV 11 ② (16x30x2)	X	X	X	X	X	X	X	X	X	X	X
14	7004-062	Air Filter 2" Pleated MERV 13 ② (16x30x2)	X	X	X	X	X	X	X	X	X	X	X
16	8301-110BX	RDS Sensor	X	X	X	X	X	X	X	X	X	X	X
NS	8401-036BX	RDS Relay	X	X	X	X	X	X	X	X	X	X	X
NS	8406-167BX	High Pressure Switch (Screw On)	X	X	X	X	X	X	X	X	X	X	X
NS	8406-166BX	Low Pressure Switch (Screw On)	X	X	X	X	X	X	X	X	X	X	X
NS	5201-021BX	Filter Drier	X	X	X	X	X	X	X	X	X	X	X
NS	5451-024	Tubing Isolation Grommet	2	2	2	2	2	2	2	2	2	2	2
NS	6031-009	Coremax Valve Core	2	2	2	2	2	2	2	2	2	2	2
NS	1171-028	Filter Door Clip	2	2	2	2	2	2	2	2	2	2	2
NS	1171-057	Filter Door Screw	2	2	2	2	2	2	2	2	2	2	2
NS	1171-027	Filter Door Screw Retainer	2	2	2	2	2	2	2	2	2	2	2
NS	CMC-29	Freeze Thermostat Kit	X	X	X	X	X	X	X	X	X	X	X
NS	910-2189BX	460V Transformer Assembly									X		

NS – Not Shown

① Used with stainless steel cabinet option

② Optional on these models

FUNCTIONAL COMPONENTS – DEHUMIDIFICATION

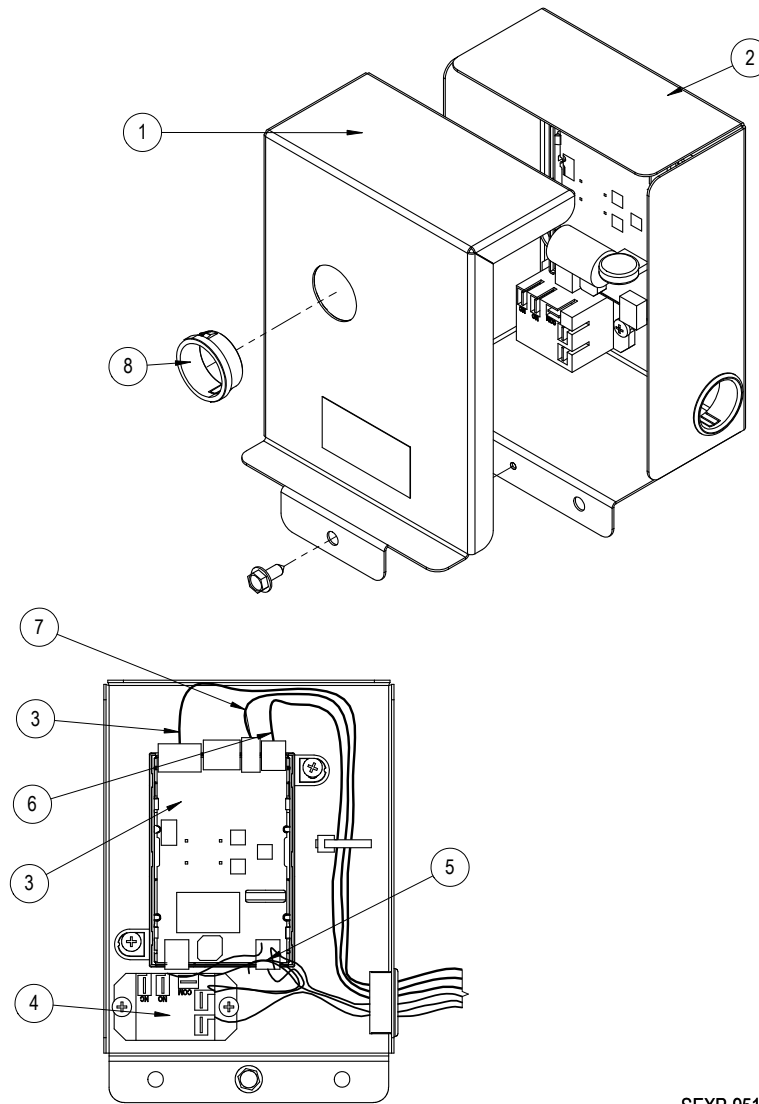
Dwg No.	Part Number	Description	W30AFDA	W30AFDB	W30AFDC	W36AFDA	W36AFDB	W36AFDC	W36AFDV
1	900-360-0150BX	Blower Assembly	X	X					
1	900-361-0151BX	Blower Assembly			X				
1	900-360-0152BX	Blower Assembly				X	X		
1	900-361-0153BX	Blower Assembly						X	X
2	917-0364BX	Evaporator Coil w/Distributor Assy.	X	X	X				
2	917-0365BX	Evaporator Coil - Coated w/Distributor Assy.	X	X	X				
2	917-0359BX	Evaporator Coil w/Distributor Assy.				X	X	X	X
2	917-0360BX	Evaporator Coil - Coated w/Distributor Assy.				X	X	X	X
3	800-0460BX	Distributor Assembly	X	X	X	X	X	X	X
3	5651S245BX	Electronic Expansion Valve	X	X	X	X	X	X	X
3	905-0732BX	Electronic Expansion Valve Assembly	X	X	X	X	X	X	X
4	1171-023	1/4" Receptacle	X	X	X	X	X	X	X
5	1171-024	1/4" Turn Retainer	X	X	X	X	X	X	X
6	1171-022	1/4" Turn Fastener	X	X	X	X	X	X	X
7	8103-029BX	Condenser Motor	X	X		X	X		
7	8103-030BX	Condenser Motor			X			X	X
8	8200-001BX	Fan Motor Mount	X	X	X	X	X	X	X
8	8200-050BX ①	Stainless Steel Fan Motor Mount	X	X	X	X	X	X	X
9	5151-045BX	Fan Blade	X	X	X	X	X	X	X
9	5151C045BX ①	Coated Fan Blade	X	X	X	X	X	X	X
10	CMC-31	Dirty Filter Switch Kit	X	X	X	X	X	X	X
11	CMA-41	Low Ambient Control (Flare) ②	X	X	X	X	X	X	X
12	8000-490BX	Compressor	X						
12	8000-491BX	Compressor		X					
12	8000-492BX	Compressor			X				
12	8000-494BX	Compressor				X			
12	8000-495BX	Compressor					X		
12	8000-496BX	Compressor						X	X
13	5051-203BX	Condenser Coil	X	X	X				
13	5054-203BX	Condenser Coil - Coated	X	X	X				
13	5051-202BX	Condenser Coil				X	X	X	X
13	5054-202BX	Condenser Coil - Coated				X	X	X	X
14	7004-019	Air Filter 1" Throw-Away (16x30x1)	X	X	X	X	X	X	X
14	7003-031	Air Filter 1" Washable ② (16x30x1)	X	X	X	X	X	X	X
14	7004-026	Air Filter 2" Pleated ② (16x30x2)	X	X	X	X	X	X	X
14	7004-048	Air Filter 2" Pleated MERV 11 ② (16x30x2)	X	X	X	X	X	X	X
14	7004-062	Air Filter 2" Pleated MERV 13 ② (16x30x2)	X	X	X	X	X	X	X
15	910-2050-004BX	EEV Controller Assembly (see page 9 for breakdown)	X	X	X	X	X	X	X
16	8301-110BX	RDS Sensor	X	X	X	X	X	X	X
NS	8401-036BX	RDS Relay	X	X	X	X	X	X	X
NS	8406-167BX	High Pressure Switch (Flare)	X	X	X	X	X	X	X
NS	8406-166BX	Low Pressure Switch (Flare)	X	X	X	X	X	X	X
NS	8406-158BX	Low Pressure Transducer	X	X	X	X	X	X	X
NS	3000-1603BX	Transducer Wire Assembly – Connects to Transducer	X	X	X	X	X	X	X
NS	5201-021BX	Filter Drier	X	X	X	X	X	X	X
NS	5650-051BX	Dehumidification Valve	X	X	X	X	X	X	X
NS	5651-219BX	Check Valve	X	X	X	X	X	X	X
NS	5451-024	Tubing Isolation Grommet	2	2	2	2	2	2	2
NS	6031-009	Coremax Valve Core	2	2	2	2	2	2	2
NS	1171-028	Filter Door Clip	2	2	2	2	2	2	2
NS	1171-057	Filter Door Screw	2	2	2	2	2	2	2
NS	1171-027	Filter Door Screw Retainer	2	2	2	2	2	2	2

NS – Not Shown

① – Used with stainless steel cabinet option

② – Optional on these models

EEV CONTROLLER ASSEMBLY

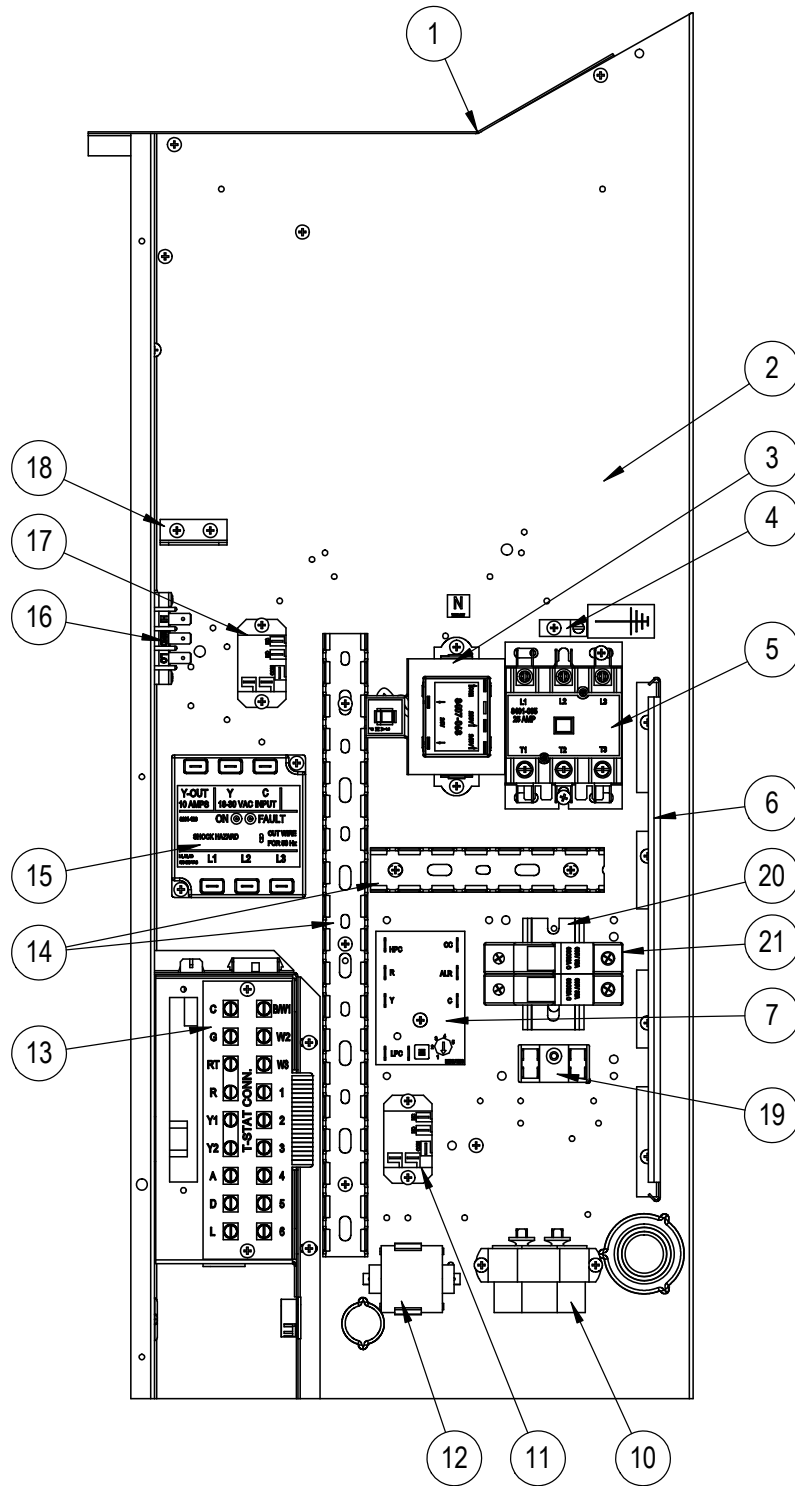


SEXP-951

910-2050-004BX

Dwg No.	Part Number	Description	
1	143-219BX	EEV Control Box Cover	X
2	127-572BX	EEV Control Box	X
3	8301-079-0005BX	EEV Control Module & Stator Cable	X
3	5651-246BX	EEV Stator Cable Only	X
4	8201-130BX	Control Relay	X
5	3000-1602BX	Main Wire Assembly	X
6	3000-1611BX	Transducer Wire Assembly – Connects to EEV Board	X
NS	3000-1603BX	Transducer Wire Assembly – Connects to Transducer	
7	8408-056BX	EEV Thermistor	X
8	8611-075	Clear Snap Plug	X

CONTROL PANEL



SEXP-908 A

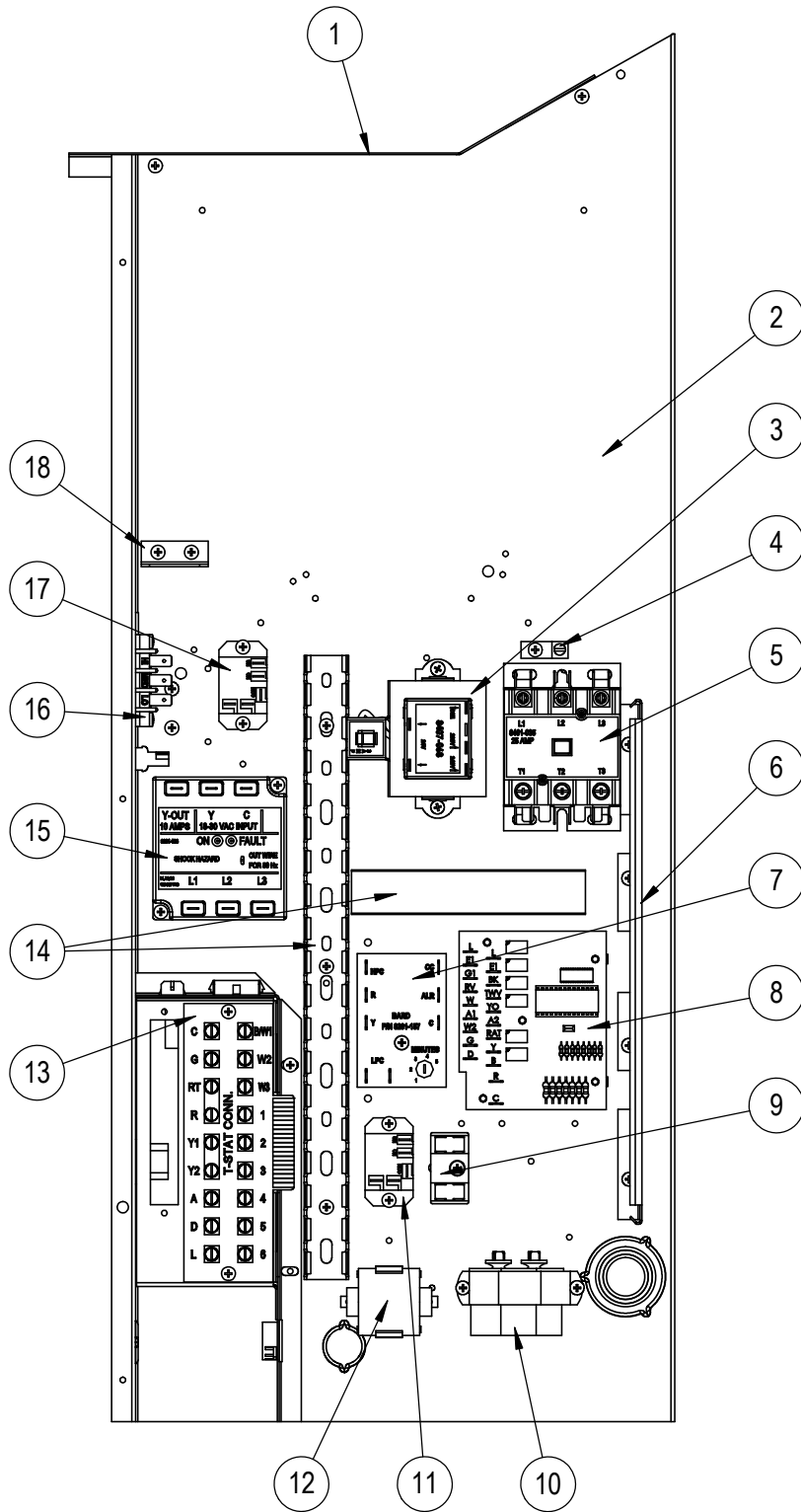
CONTROL PANEL - STANDARD

Dwg No.	Part Number	Description	W30AF-A	W30AF-B	W30AF-C	W30AF-D	W30AF-F	W36AF-A	W36AF-B	W36AF-C	W36AFRC	W36AF-E	W36AF-F
1	117X137BX	Control Panel Top	X	X	X	X	X	X	X	X	X	X	X
2	117X447BX	Control Panel	X	X	X	X	X	X	X	X	X	X	X
3	8407-068BX	Transformer	X	X		X	X	X				X	X
3	8407-069BX	Transformer			X					X	X		
4	8611-006	Ground Terminal	X	X	X	X	X	X	X	X	X	X	X
5	8401-033BX	Compressor Contactor	X			X	X						
5	8401-035BX	Compressor Contactor		X	X		X		X	X	X	X	X
6	135-122BX	Wire Shield	X	X	X	X	X	X	X	X	X	X	X
7	8201-176BX	Compressor Control Module	X	X	X	X	X	X	X	X	X	X	X
9	8607-017BX	Terminal Block (Optional)	X	X	X	X	X	X	X	X	X	X	X
10	8552-048BX	Compressor Capacitor	X			X							
10	8552-002BX	Outdoor Motor Capacitor		X	X		X		X	X	X	X	X
10	8552-050BX	Compressor Capacitor					X						
11	8201-130BX	Alarm Relay (Optional)	X	X	X	X	X	X	X	X	X	X	X
12	8551-004BX	Start Device (PTCR) (Optional)	X			X		X					
13	8607-063BX	Low Voltage Terminal Strip	X	X	X	X	X	X	X	X	X	X	X
14	8611-140-1400	Cable Duct – 14" Piece	X	X	X	X	X	X	X	X	X	X	X
14	8611-140-0500	Cable Duct – 5" Piece	X	X	X	X	X	X	X	X	X	X	X
15	8201-174BX	Phase Monitor		X	X		X		X	X	X	X	X
16	8607-042	Blower Speed Terminal	X	X	X	X	X	X	X	X	X	X	X
17	8201-130BX	Blower Control Relay	X	X	X	X	X	X	X	X	X	X	X
18	141-595BX	Plug Support Bracket	X	X	X	X	X	X	X	X	X	X	X
19	8607-017BX	Terminal Block									X		
20	8611-210BX	DIN Rail									X		
21	8614-058	Fuse Block									X		
21	8614-047	3.2A Fuse									2		
NS	8615-036BX	Circuit Breaker 25A 2 Pole (Opt.) ①	X										
NS	8615-037BX	Circuit Breaker 30A 2 Pole (Opt.) ①				X							
NS	8615-038BX	Circuit Breaker 35A 2 Pole (Opt.) ①					X						
NS	8615-054BX	Circuit Breaker 20A 3 Pole (Opt.) ①		X									
NS	8615-051BX	Circuit Breaker 25A 3 Pole (Opt.) ①						X					
NS	8615-052BX	Circuit Breaker 30A 3 Pole (Opt.) ①										X	
NS	8615-095BX	Toggle Disconnect (Optional) ①			X		X			X	X		X
NS	8607-013BX	Terminal Block 2 Pole					X						X
NS	113-601BX	Terminal Block Bracket					X						X
NS	4213-128	Wiring Diagram	X			X		X					
NS	4213-228	Wiring Diagram		X				X				X	
NS	4213-328	Wiring Diagram			X				X				
NS	4213-331	Wiring Diagram								X			
NS	4213-628	Wiring Diagram					X						X
NS	3000-1598BX	Blower Power Plug	X	X	X	X	X	X	X	X	X	X	X
NS	3000-1599BX	Blower Speed Plug	X	X	X	X	X	X	X	X	X	X	X
NS	3000-1524BX	Vent Jumper Plug	X	X	X	X	X	X	X	X	X	X	X
NS	3000-1224BX	Compressor Plug/Harness	X			X	X						
NS	3000-1231BX	Compressor Plug/Harness		X	X		X		X	X	X	X	X
NS	3003-150BX	Control Panel Harness	X			X	X						
NS	3003-151BX	Control Panel Harness		X	X			X	X	X	X		
NS	3003-152BX	Control Panel Harness				X							X
NS	3000-1608BX	Low Voltage Terminal Block Harness	X	X	X	X	X	X	X	X	X	X	X
NS	910-2047BX	Complete Low Voltage Box Assembly (Sheet Metal, LVTS & Wire Harness)	X	X	X	X	X	X	X	X	X	X	X

NS = Not Shown

① Circuit breakers listed are for units without electric heat, "OZ" models. See heater replacement parts manual for units with electric heat.

CONTROL PANEL



SEXP-948

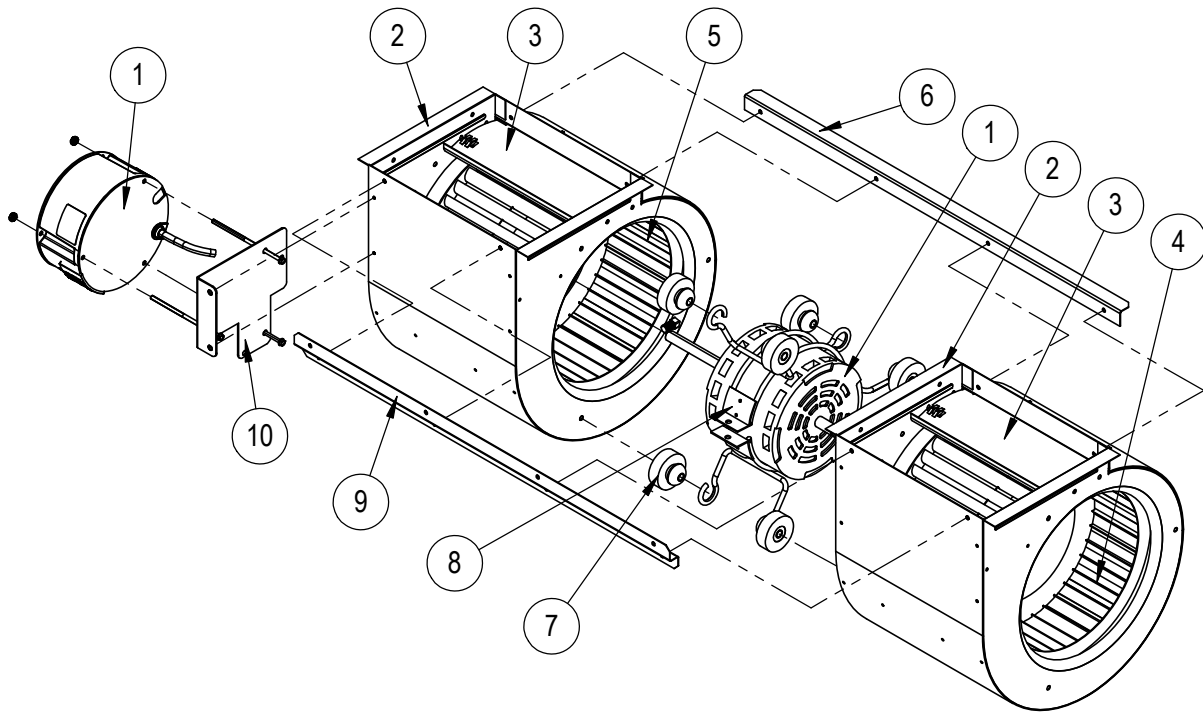
CONTROL PANEL – DEHUMIDIFICATION

Dwg No.	Part Number	Description	W30AFDA	W30AFDB	W30AFDC	W36AFDA	W36AFDB	W36AFDC	W36AFDV
1	117X137BX	Control Panel Top	X	X	X	X	X	X	X
2	117-447BX	Control Panel	X	X	X	X	X	X	X
3	8407-068BX	Transformer	X	X		X	X		
3	8407-069BX	Transformer			X			X	X
4	8611-006	Ground Terminal	X	X	X	X	X	X	X
5	8401-033BX	Compressor Contactor	X			X			
5	8401-035BX	Compressor Contactor		X	X		X	X	X
6	135-122BX	Wire Shield	X	X	X	X	X	X	X
7	8201-176BX	Compressor Control Module	X	X	X	X	X	X	X
8	8201-113BX	Dehum. Logic Control	X	X	X	X	X	X	X
9	8607-017BX	Terminal Block (Optional)	X	X	X	X	X	X	X
10	8552-048BX	Compressor Capacitor	X						
10	8552-002BX	Outdoor Motor Capacitor		X	X		X	X	X
10	8552-050BX	Compressor Capacitor				X			
11	8201-130BX	Dehumidification Control Relay	X	X	X	X	X	X	X
12	8551-004BX	Start Device (PTCR) (Optional)	X			X			
13	8607-063BX	Low Voltage Terminal Strip	X	X	X	X	X	X	X
14	8611-140-1400	Cable Duct – 14" Piece	X	X	X	X	X	X	X
14	8611-140-0500	Cable Duct – 5" Piece	X	X	X	X	X	X	X
15	8201-174BX	Phase Monitor		X	X		X	X	X
16	8607-042	Blower Speed Terminal	X	X	X	X	X	X	X
17	8201-130BX	Blower Control Relay	X	X	X	X	X	X	X
18	141-595BX	Plug Support Bracket	X	X	X	X	X	X	X
NS	8615-036BX	Circuit Breaker 25A 2 Pole (Optional) ①	X						
NS	8615-038BX	Circuit Breaker 35A 2 Pole (Optional) ①				X			
NS	8615-054BX	Circuit Breaker 20A 3 Pole (Optional) ①		X					
NS	8615-051BX	Circuit Breaker 25A 3 Pole (Optional) ①					X		
NS	8615-095BX	Toggle Disconnect (Optional) ①			X			X	X
NS	4213-129	Wiring Diagram	X			X			
NS	4213-229	Wiring Diagram		X			X		
NS	4213-329	Wiring Diagram			X			X	
NS	4213-629	Wiring Diagram							X
NS	3000-1598BX	Blower Power Plug	X	X	X	X	X	X	X
NS	3000-1599BX	Blower Speed Plug	X	X	X	X	X	X	X
NS	3000-1524BX	Vent Jumper Plug	X	X	X	X	X	X	X
NS	3000-1224BX	Compressor Plug/Harness	X			X			
NS	3000-1231BX	Compressor Plug/Harness		X	X		X	X	X
NS	3003-153BX	Control Panel Harness	X			X			
NS	3003-154BX	Control Panel Harness		X	X		X	X	X
NS	3000-1608BX	Low Voltage Terminal Block Harness	X	X	X	X	X	X	X
NS	910-2047BX	Complete Low Voltage Box Assembly (Sheet Metal, LVTS & Wire Harness)	X	X	X	X	X	X	X

NS = Not Shown

① Circuit breakers listed are for units without electric heat, "OZ" models. See heater replacement parts manual for units with electric heat.

BLOWER ASSEMBLY



SEXP-909

Dwg No.	Part Number	Description	900-360-0150BX	900-360-0152BX	900-361-0151BX	900-361-0153BX
1	8106-068-0150BX	Blower Motor & Control (230/208V)	X			
1	8106-068-0152BX	Blower Motor & Control (230/208V)		X		
1	8106-069-0151BX	Blower Motor & Control (460V)			X	
1	8106-069-0153BX	Blower Motor & Control (460V)				X
1	C8106-068-0150	Programmed Control Only (230/208V)	0			
1	C8106-068-0152	Programmed Control Only (230/208V)		0		
1	C8106-069-0151	Programmed Control Only (460V)			0	
1	C8106-069-0153	Programmed Control Only (460V)				0
2	151-111BX	Housing	2	2	2	2
3	144-174BX	Diffuser	2	2	2	2
4	5152-090BX	Wheel CW	X	X	X	X
5	5152-091BX	Wheel CCW	X	X	X	X
6	105-870BX	Back Brace	X	X	X	X
7	5451-011	Grommets	6	6	6	6
8	8200-031BX	Motor Mount	X	X	X	X
9	103-401BX	Front Brace	X	X	X	X
10	113-721BX	Motor Control Bracket	X	X	X	X

X – Standard Component
O – Optional Component