



Bard Manufacturing Company, Inc.  
Bryan, Ohio 43506

# INSTALLATION INSTRUCTIONS

## CMA-5

### COMPRESSOR TIME DELAY RELAY

#### DESCRIPTION

The CMA-5 is a field installable five (5) minute delay on break compressor time delay relay. The CMA-5 consists of:

1. Installation Instructions 7960-235
2. Compressor time delay relay 8201-050
3. Mounting screw
4. Unit Label 7961-312-0002

#### INSTALLATION INSTRUCTIONS

Disconnect all power to unit. Remove control panel inner and outer covers. Circled numbers on Figure 2 correspond to installation instruction steps. Dashed lines indicate that a wire has been disconnected from this terminal and reconnected to another terminal.

Step 1. Mount compressor TDR in position shown in Figure 2, Step 1 with screw provided.

Step 2. Disconnect yellow low voltage (Y) wire at the compressor contactor coil and reconnect to the Y1 or #3 terminal of the TDR. See Figure 2, Step 2.

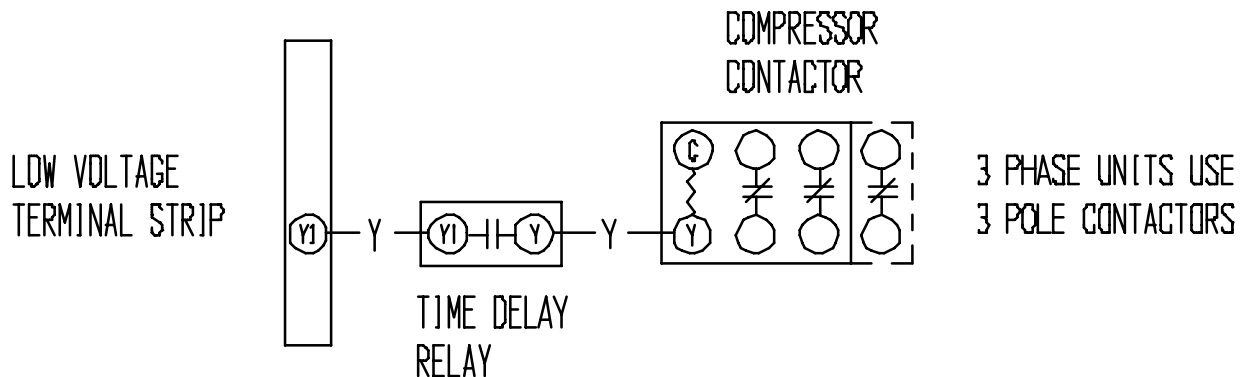
Step 3. Connect yellow wire from terminal (Y) of the TDR to the (Y) terminal of the compressor contactor coil. This is the terminal that the wire was removed from in Step 2. Route wires through wire holder as shown in Figure 2, Step 3.

Step 4. Recheck wiring. Refer to Figure 1. Energize unit. Compressor should start. Remove power and reapply. Compressor should not start until the 5 minute time delay has expired.

Step 5. Apply "This unit equipped with CMA-5 control module" label to inside of the inner control panel cover above wiring diagram..

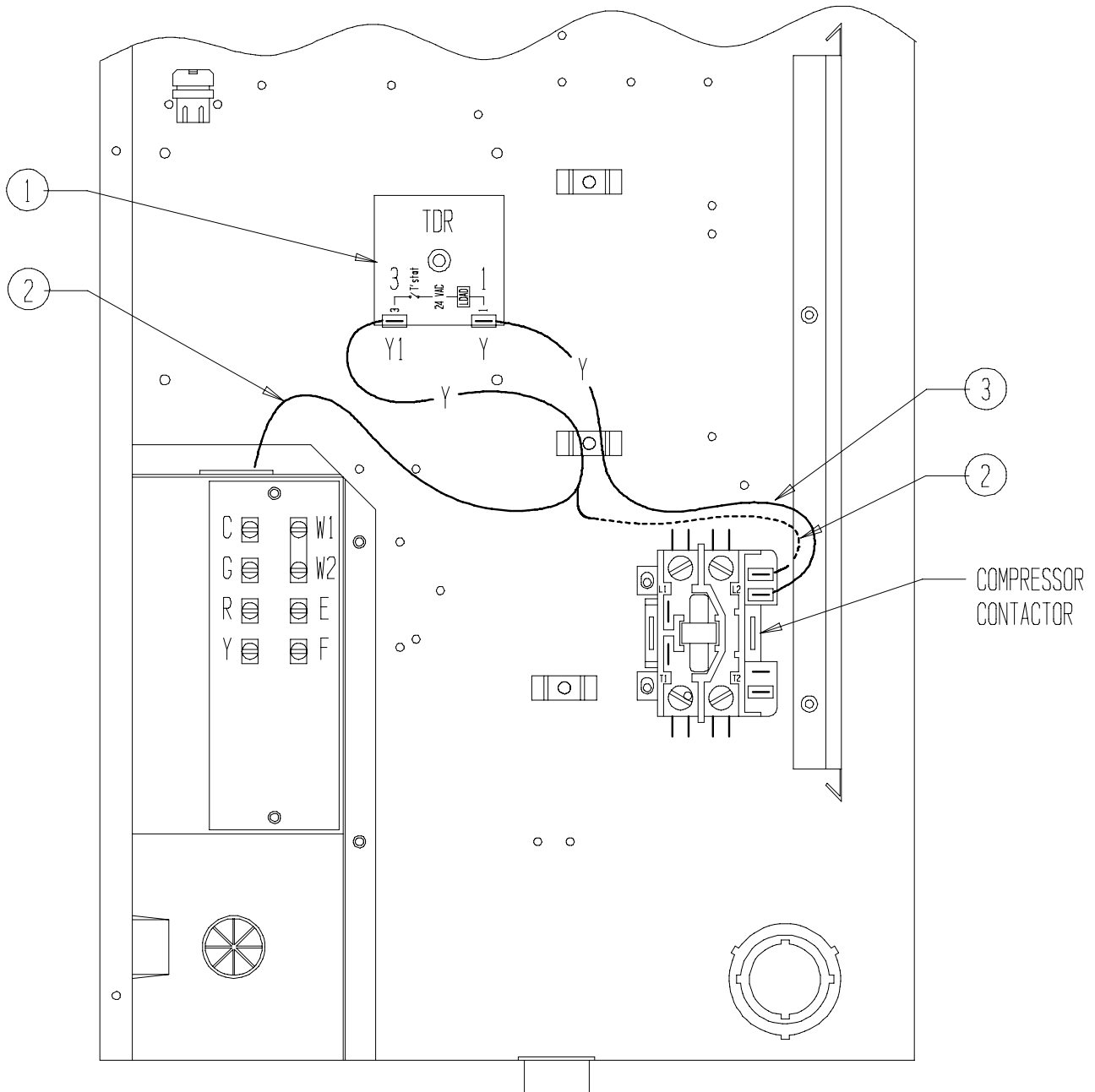
Step 6. Replace all panel and covers. This completes installation.

FIGURE 1



MIS-379

FIGURE 2



MD-1850