



Climate Control Solutions

Bard Manufacturing Company, Inc.

Bryan, Ohio 43506

INSTALLATION INSTRUCTIONS

CMA-14

OUTDOOR THERMOSTAT KIT

DESCRIPTION

The CMA-14 is a field installable outdoor thermostat suitable for use as a compressor cutoff thermostat. This thermostat stops the compressor operation at the test temperature. The CMA-14 consists of:

1. 910-1272 Outdoor Thermostat
2. 7960-321 Installation Instructions
3. 7961-312-0078 CMA-14 Label

For use with all WA181 – WA601 HI-BOY WALL MOUNT AIR CONDITIONERS and 18WA – 60WA HI-BOY WALL MOUNT AIR CONDITIONERS.

INSTALLATION INSTRUCTIONS

Disconnect all power to unit. Remove control panel inner and outer covers, right side condenser inlet grille, and front service access panel.

- Step 1. Mount outdoor thermostat 910-1272 to side of control panel with screws provided as shown in Figure 2 or 3.
Figure 2 depicts installation into a WA181 - WA601. Figure 3 depicts installation into an 18WA - 60WA.
- Step 2. Route wires through bushing in side of control panel into the low voltage terminal strip area.
- Step 3. Route thermostat bulb through bushing in condenser partition and mount to the fan shroud with the clamps and screws provided.
- Step 4. Connect wires to the low voltage terminal strip as shown in Figure 1. There are two connection diagrams shown. One for use with a wall mount without economizer and one for use with a wall mount with economizer. Use the appropriate diagram for your application.
- Step 5. Recheck wiring. Refer to Figure 1. Set thermostat to the desired cutout temperature for the compressor. 0° or above is recommended.
- Step 6. Replace all panels and covers. This completes installation.

FIGURE 1

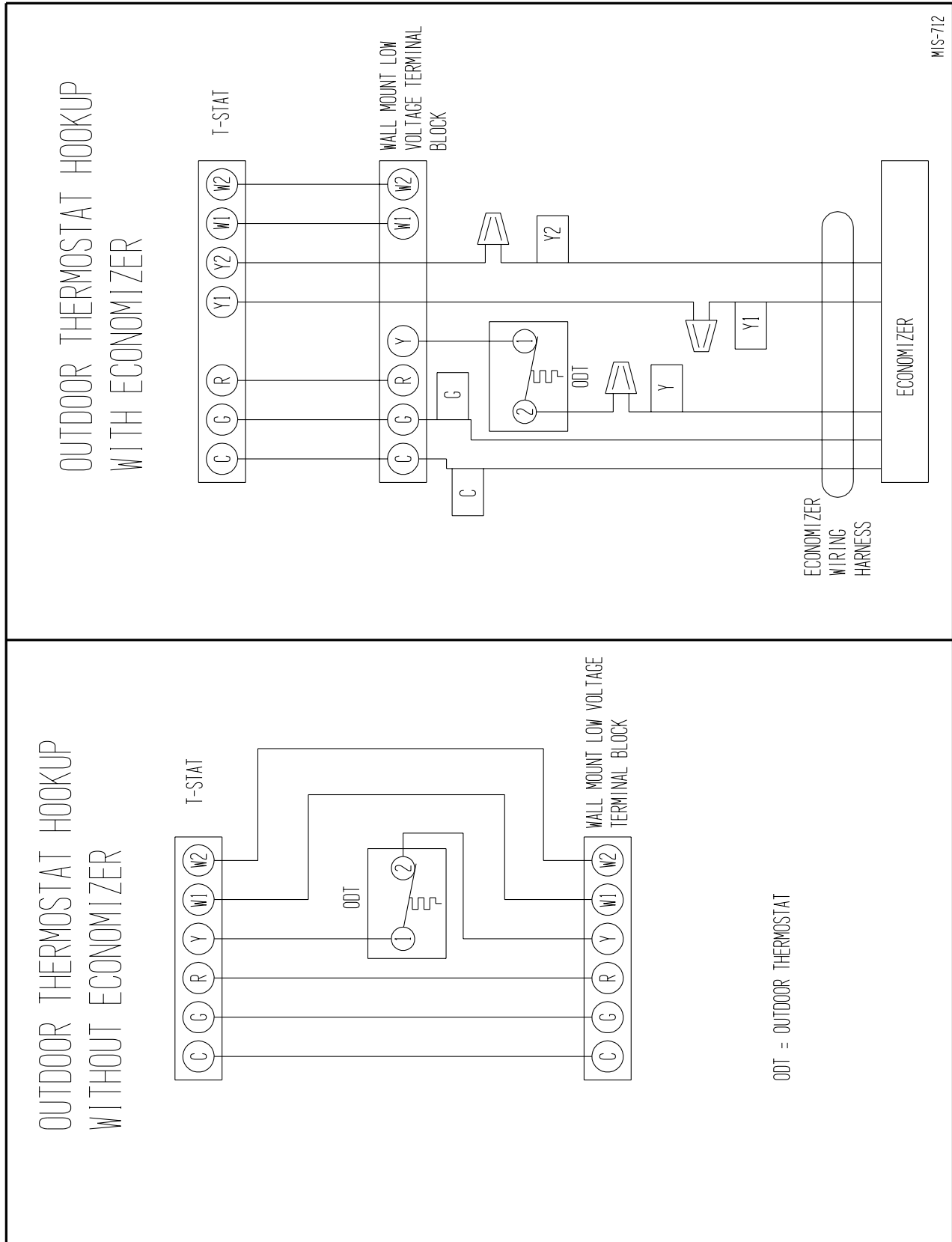
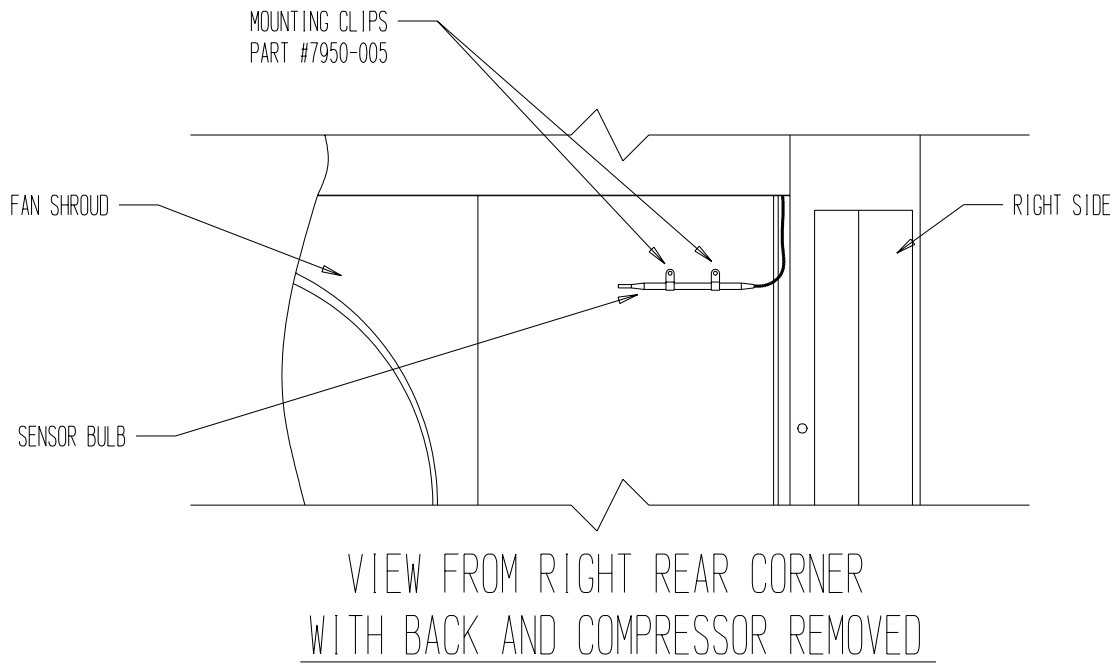
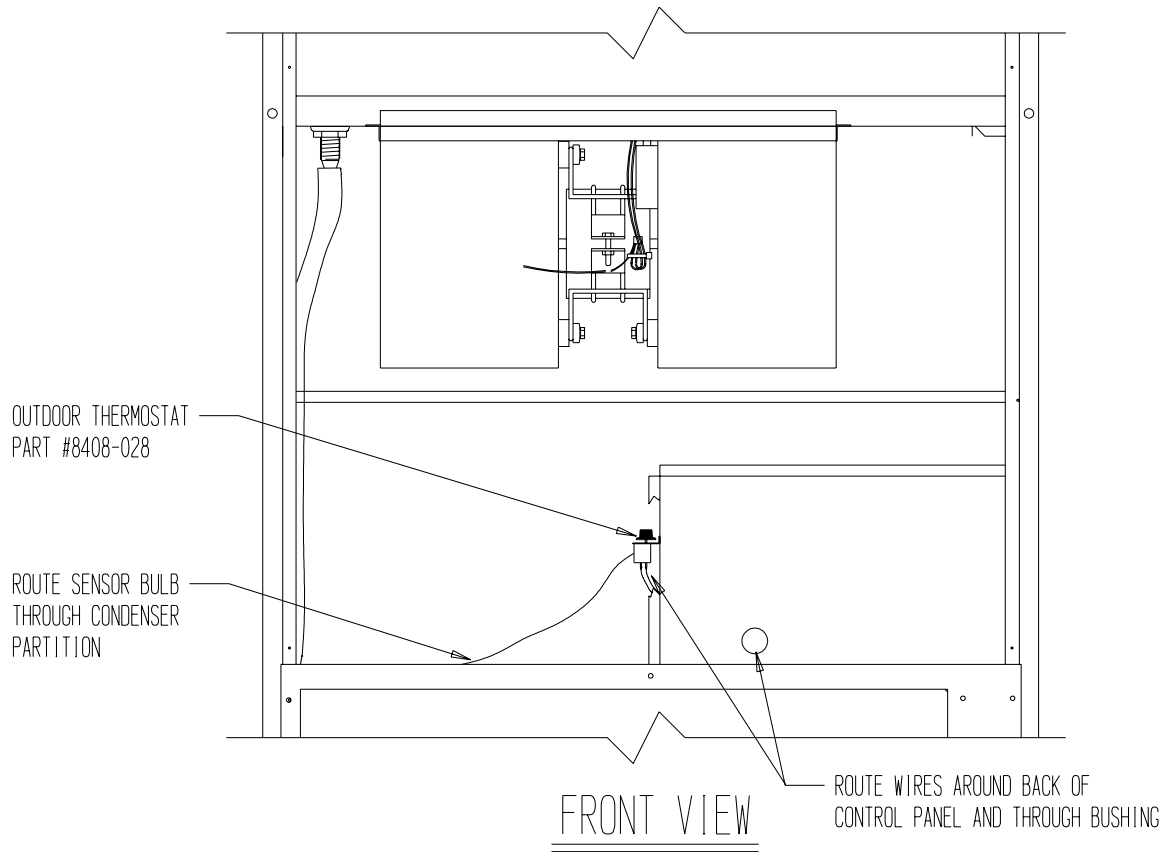
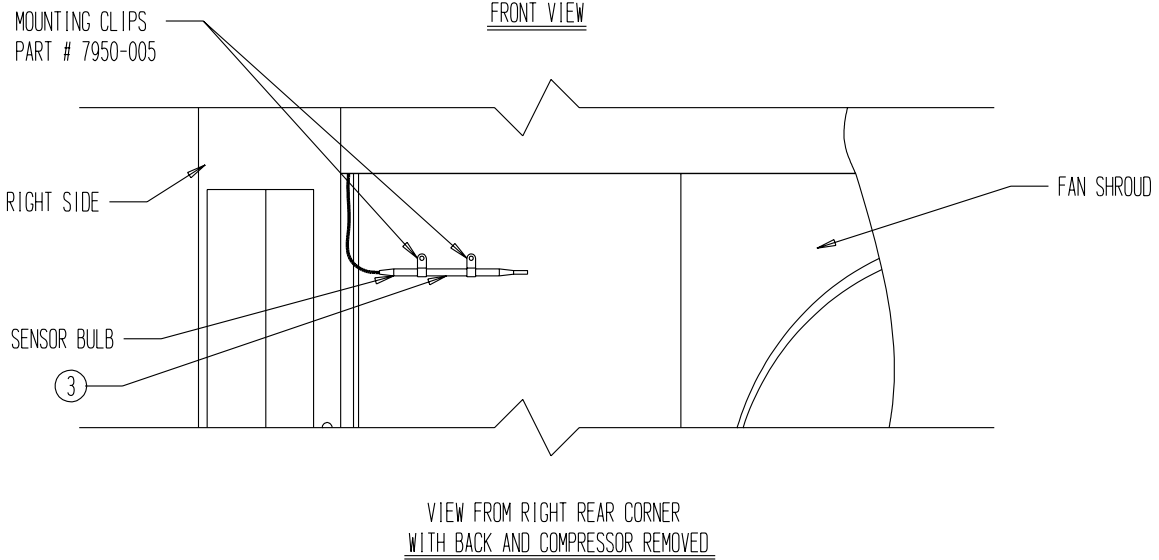
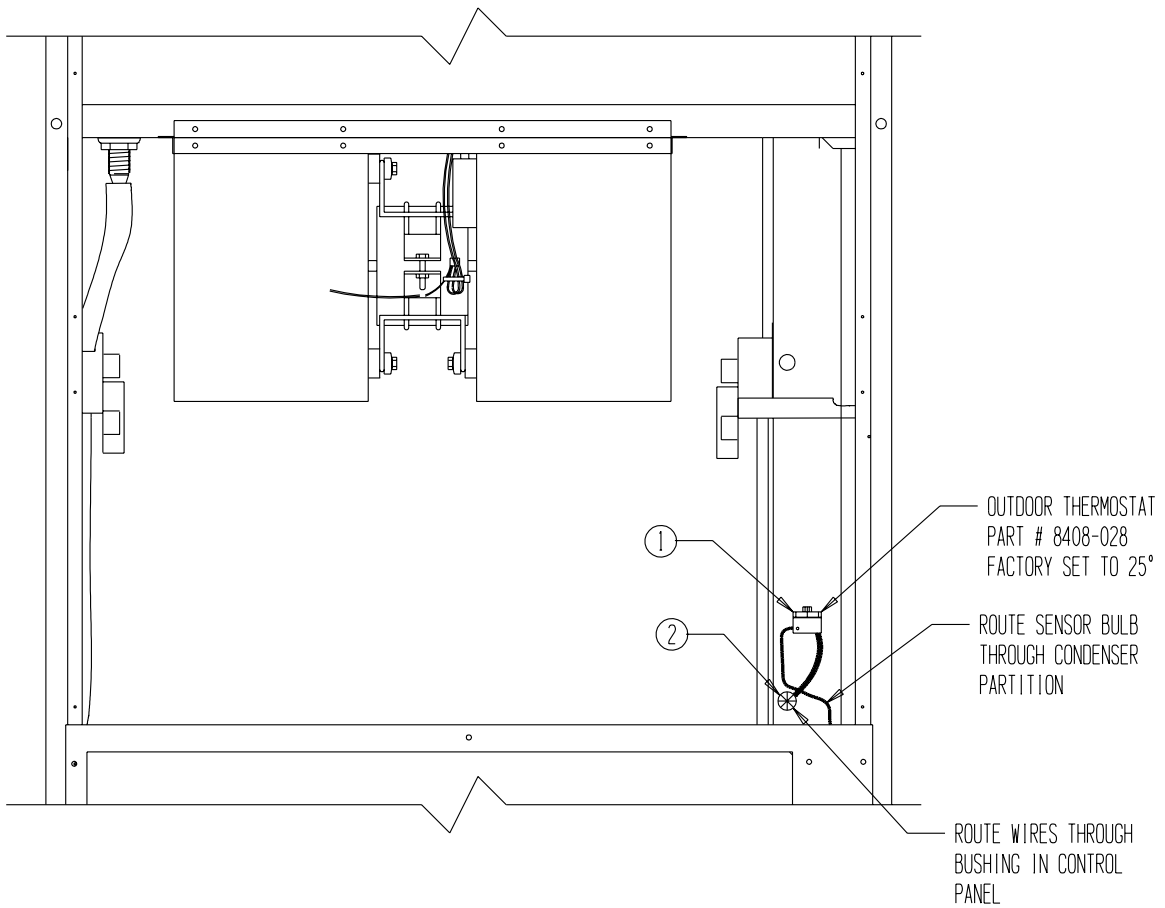


FIGURE 2



MIS-713

FIGURE 3



MIS-1042