

---

# SUPPLEMENTAL INSTRUCTIONS

---

## TCURBF, TCURBT, TFCF, TFCT T-FLEX Curbs

---

### CONTENTS

Overview .....	1
Wall Curb Application Guide .....	3
Installation.....	7
New Installations.....	7
Retrofit Installations .....	8
Replacement Parts .....	22
Wall Curb.....	22
Top Box Assembly.....	24

### Figures

Figure 1	TCURBF2430A .....	4
Figure 2	TCURBF3642A .....	4
Figure 3	TCURBF4860A .....	4
Figure 4	TCURBT2430A .....	4
Figure 5	TCURBT3642A .....	5
Figure 6	TCURBT4860A .....	5
Figure 7	TFCF-32B .....	6
Figure 8	TFCF-53B .....	6
Figure 9	TFCT-32B .....	6
Figure 10	TFCT-53B .....	6
Figure 11	Wall Mounting Instructions .....	9
Figure 12	Wall Mounting Instructions .....	9
Figure 13	Electric Heat Clearance .....	10
Figure 14	TCURBF2430A Supply and Return Openings.....	11
Figure 15	TCURBT2430A Supply and Return Openings.....	12
Figure 16	TCURBT3642A and TCURBT4860A Supply and Return Openings.....	13
Figure 17	TCURBF3642A and TCURBF4860A Supply and Return Openings.....	14
Figure 18	TFCF-32B Supply and Return Openings..	15
Figure 19	TFCT-32B Supply and Return Openings..	16
Figure 20	TFCF-53B Supply and Return Openings..	17
Figure 21	TFCT-53B Supply and Return Openings..	18
Figure 22	Fastening Unit to Curb .....	19
Figure 23	Sealing with Caulk .....	20
Figure 24	Sealing with Caulk (Top Outlet Curb)...	21

### Overview

Wall curb products are an optional accessory that can be installed between the Bard wall mount product and an exterior wall surface to replace equipment on an existing building or provide the lowest indoor sound level possible for new construction projects. The wall curb designs included in this manual are designed to provide an easy-to-use method of reducing sound levels inside a room being conditioned by the wall mount and to provide unit upgrade options with minimal wall modifications. Bard sound and isolation curbs are designed, tested and patented to provide a unique solution with the best possible sound reduction results.

### Curb Construction

Curb models are available in Beige (-X), White (-1), Gray (-4), Desert Brown (-5) and Dark Bronze (-8). Curb model numbers will be followed by the color code when ordering. Painted cabinet construction is comprised of 16 gauge or 20 gauge zinc coated steel. Parts are cleaned, rinsed, sealed and dried before a polyurethane primer is applied. The cabinet coating is completed with a baked-on textured enamel. The resulting finish is designed to withstand 1000 hours of salt spray tests per ASTM B117-03. All curb models in this manual ship pre-assembled on a wood skid.

Curb design uses an inner frame that attaches to the building wall and an outer frame that attaches to the new wall-mount unit. Rubber isolators separate the inner and outer frames. This patented design provides advanced vibration isolation between the unit and wall surface and reduces the transfer of vibration from the compressor, indoor fan and outdoor fan into the indoor area. Sound from vibration sources is commonly known as a “drumming effect.” Commercial grade rubber gaskets are used to prevent air leakage between the inner and outer curb frame.



Bard Manufacturing Company, Inc.  
Bryan, Ohio 43506  
www.bardhvac.com

Manual: 7960-689J  
Supersedes: 7960-689I  
Date: 6-25-24

The curb is insulated with an anti-microbial flame/smoke resistant non-fiberglass cotton material. Back panels and middle partitions are used in all curb designs that seal and separate the return and supply air paths. Curb designs include the ability to remove the back panels and adjust the return opening location (see chart and curb figures for alternate back return opening locations). This provides a means of offsetting the return opening of the unit and the return air path in the room. By using an offset air path, sound levels can be reduced by minimizing the direct path of sound travelling into the room through the return air grille. If offsetting the return air path is not possible due to existing wall construction, the back panels can be adjusted to match existing wall opening locations (see chart and curb figures for alternate back return opening locations).

Two inch duct flanges are integrated into the curb back for duct installation. The curb is suitable for applications requiring a ducted supply and return. Refer to unit installation instructions for acceptable total unit supply and return static information.

Fasteners required to attach the Bard wall-mount unit to the curb are supplied from the factory. These include carriage bolts and Keps nuts that will be used to install the unit to the curb. The curb frame will have expanded brass cage nuts on the front curb surface for unit installation. A foam seal is provided between the unit flanges and curb front surface.

Fasteners required to attach the curb to the wall are field supplied and are specific to wall construction. Installation and seismic requirements must follow all national, state and local codes. Review the wall mount installation instructions and all other documentation provided with the wall mount unit for further guidelines before installing this product.

### **Curb Models**

The TCURBF model series provides a curb solution that can be used to reduce sound and vibration with normal unit applications. The back panels can be configured to either reduce (6.125") or use the same (17.93" or 30") supply and return spacing as the new unit being installed. When used with the reduced supply and return spacing, the return air path is offset for increased sound reduction.

The TCURBT model series provides a curb solution that can be used to reduce sound and vibration where the supply air path extends into an overhang or soffit. Back configuration is not normally necessary as the return air path is offset for sound reduction while still keeping the new unit supply and return opening spacing. The upper portion of the TCURBT ships disassembled on the skid alongside the curb to meet shipping height requirements.

The TFCF model series provides a curb solution that can be used to reduce sound and vibration with normal unit applications. Back configuration is not normally necessary as the return air path is offset and return and

supply opening spacing is configured to match existing equipment dimensions (see chart and figure of curb).

The TFCT model series provides a curb solution that can be used to reduce sound and vibration where the supply air path extends into an overhang or soffit. Back configuration is not normally necessary as the return air path is offset and return and supply opening spacing is configured to match existing equipment dimensions (see chart and figure of curb). The upper portion of the TCURBT ships disassembled on the skid alongside the curb on some models to meet shipping height requirements.

### **Curb Use with the CH Series Wall Mount**

The TCURB and TFC curb models are designed to work with the CH product and include many features that are exclusively used to enhance CH ventilation options. An exhaust air path is located in the lower section of the curb that allows room air to be exhausted away from the fresh air entering the structure. A coarse bug screen filter is located on the bottom of the curb that slides out the left or right side. Be sure to review the bug screen rack installation at the bottom of the curb and configure it for needed screen access for cleaning. All CH unit economizers and all commercial room ventilators (CRV) except for the C24H and C30H models (CHCRV-3) use the curb exhaust vent path for ventilation. All CH unit energy recovery ventilators (ERV) do not use the curb exhaust vent path for ventilation. Be sure to review and follow all installation instructions provided with the CH wall mount product.

### **Curb Use with the TS Series Wall Mount**

The TCURB and TFC curb models are designed to work with the TS product and will use the sound and vibration reduction properties of the curb. The exhaust air path will not be utilized when using the TS unit with the wall curb. The wall mount includes all needed requirements to provide ventilation to the indoor area. Be sure to review and follow all installation instructions provided with the TS wall mount product.

### **Curb Use with the WG Series Wall Mount**

The TCURBF curb models are designed to work with the WG gas electric wall mount product and will use the sound and vibration reduction properties of the curb. The exhaust air path will not be utilized when using the WG unit with the wall curb. The WG wall mount includes all needed requirements to provide ventilation to the indoor area. A top adapter panel is required to make the top of the TCURB align with the top of the WG wall mount. The W24G, W30G and W36G gas electric wall mounts will use the TCURBF2430 curb with a WG9CA3 top adapter panel. The W42G, W48G, W60G, WG3S, WG4S, and WG5S gas electric wall mounts will use the TCURBF4860 curb with a WG9CA5 top adapter panel. Be sure to review and follow all installation instructions provided with the WG gas electric wall mount product.

## Wall Curb Application Guide

Use the following charts to review the following: New unit compatibility when using the curb, unit and curb supply and return spacing, supply and return opening sizes for the wall, and supply and return opening sizes for the new unit.

### TCURBF Sound and Vibration Isolation Curbs – Standard Wall Supply Opening Location

Fig. #	Curb Model	Unit Model	New Unit Connections			Curb Connections			Application
			Supply	Return	Supply and Return	Supply	Return	Supply and Return	
1	TCURBF2430A	C24H C30H, T30S W24G - W36G	7.88 x 27.88	13.88 x 27.88	17.93	7.88 x 27.88	13.88 x 27.88	6.125 or 17.93	Used to offset the return opening for new construction or replace W18 through W36 units. WG products require WG4CA3 top adapter panel.
2	TCURBF3642A	C36H - C42H T36S - T42S	9.88 x 29.88	15.88 x 29.88	30.00	9.88 x 29.88	15.88 x 29.88	6.125 or 30.00	Used to offset the return opening for new construction or replace CH3S1, W42 through W72 units.
3	TCURBF4860A	C48H - C60H T48S - T60S W42G - W60G WGS	9.88 x 29.88	15.88 x 29.88	30.00	9.88 x 29.88	15.88 x 29.88	6.125 or 30.00	Used to offset the return opening for new construction or replace CH4S1, CH5S1, W42 through W72 units. WG products require WG9CA5 top adapter panel.

### TCURBT Sound and Vibration Isolation Curbs – Soffit Supply Opening Location

Fig. #	Curb Model	Unit Model	New Unit Connections			Curb Connections			Application
			Supply	Return	Supply and Return	Supply	Return	Supply and Return	
4	TCURBT2430A	C24H C30H, T30S	7.88 x 27.88	13.88 x 27.88	17.93	7.88 x 27.88	13.88 x 27.88	17.93	Used to replace W18 thru W36 or other units in a soffit/new construction with a higher supply opening.
5	TCURBT3642A	C36H - C42H T36S - T42S	9.88 x 29.88	15.88 x 29.88	30.00	9.88 x 29.88	15.88 x 29.88	30.00	Used to replace W42 thru W72 or other units in a soffit/new construction with a higher supply opening.
6	TCURBT4860A	C48H - C60H T48S - T60S	9.88 x 29.88	15.88 x 29.88	30.00	9.88 x 29.88	15.88 x 29.88	30.00	Used to replace W42 thru W72 or other units in a soffit/new construction with a higher supply opening.

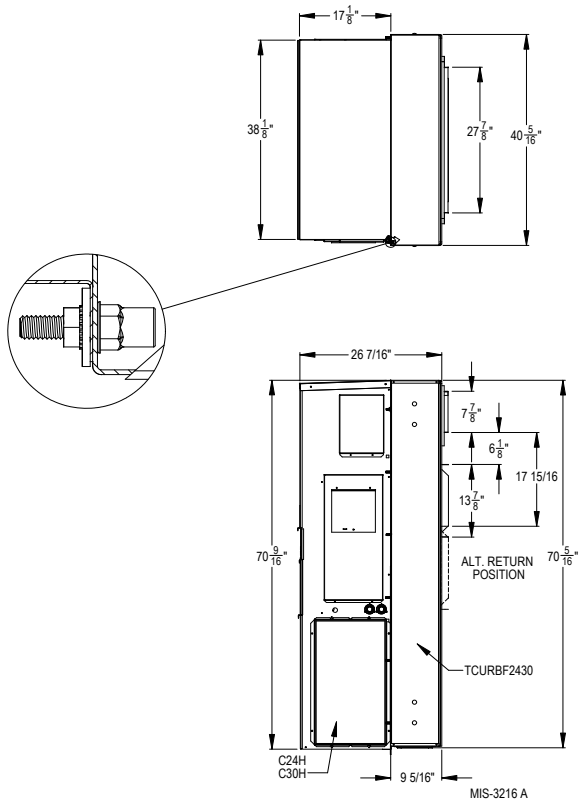
### TFCT Sound and Vibration Isolation Curbs – Unit Size Upgrade with Soffit Supply Opening Location

Fig. #	Curb Model	Unit Model	New Unit Connections			Curb Connections			Application
			Supply	Return	Supply and Return	Supply	Return	Supply and Return	
7	TFCT-32B	C24H C30H, T30S	7.88 x 27.88	13.88 x 27.88	17.93	7.88 x 19.88	11.88 x 19.88	20.56	Used to replace W18 thru W24 or same size units in a soffit with CH or TS products that use a larger cabinet size.
8	TFCT-53B	C36H - C42H T36S - T42S	9.88 x 29.88	15.88 x 29.88	30.00	7.88 x 27.88	13.88 x 27.88	17.93	Used to replace W30 thru W36 or other same size units in a soffit with CH or TS products that use a larger cabinet size.

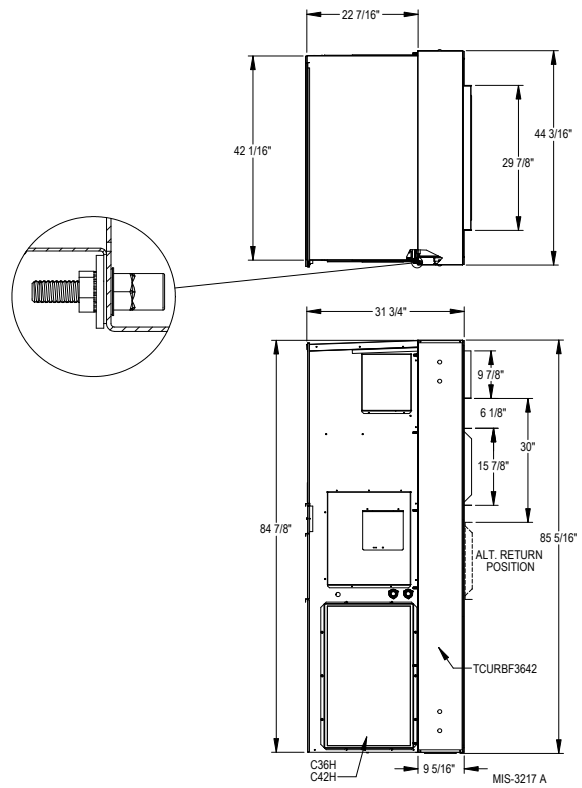
### TFCF Sound and Vibration Isolation Curbs – Unit Size Upgrade with Standard Wall Supply Opening Location

Fig. #	Curb Model	Unit Model	New Unit Connections			Curb Connections			Application
			Supply	Return	Supply and Return	Supply	Return	Supply and Return	
7	TFCF-32B	C24H C30H, T30S	7.88 x 27.88	13.88 x 27.88	17.93	7.88 x 19.88	11.88 x 19.88	20.56	Used to replace W18 thru W24 or same size units with CH or TS products that use a larger cabinet size.
8	TFCF-53B	C36H - C42H T36S - T42S	9.88 x 29.88	15.88 x 29.88	30.00	7.88 x 27.88	13.88 x 27.88	17.93	Used to replace W30 thru W36 or other same size units with CH or TS products that use a larger cabinet size.

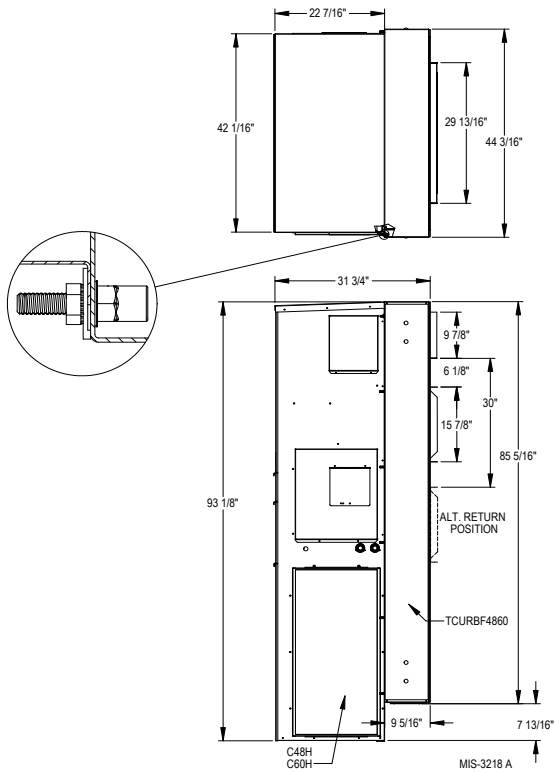
**FIGURE 1**  
**TCURBF2430A**



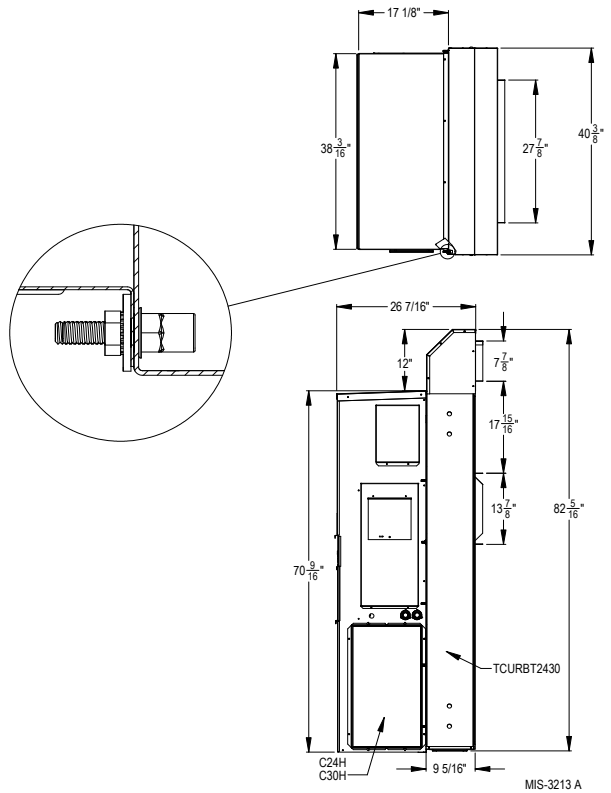
**FIGURE 2**  
**TCURBF3642A**



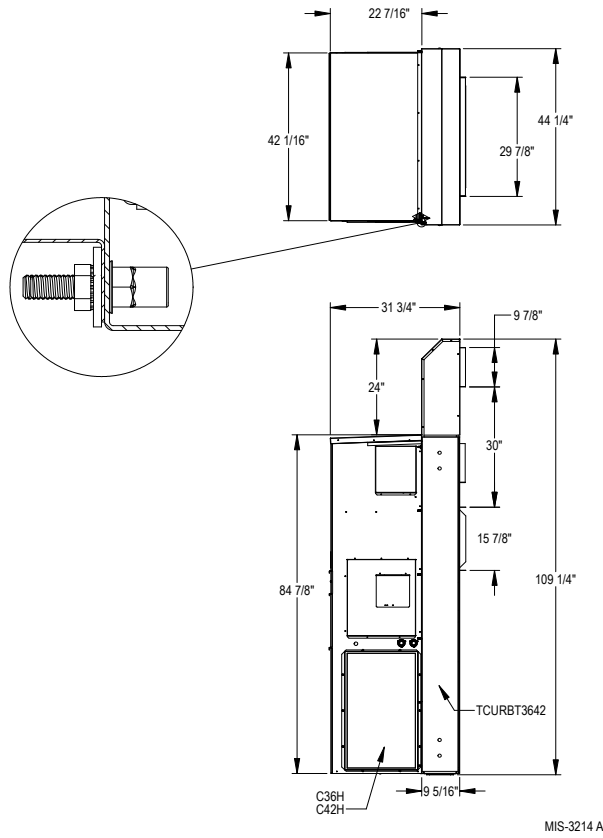
**FIGURE 3**  
**TCURBF4860A**



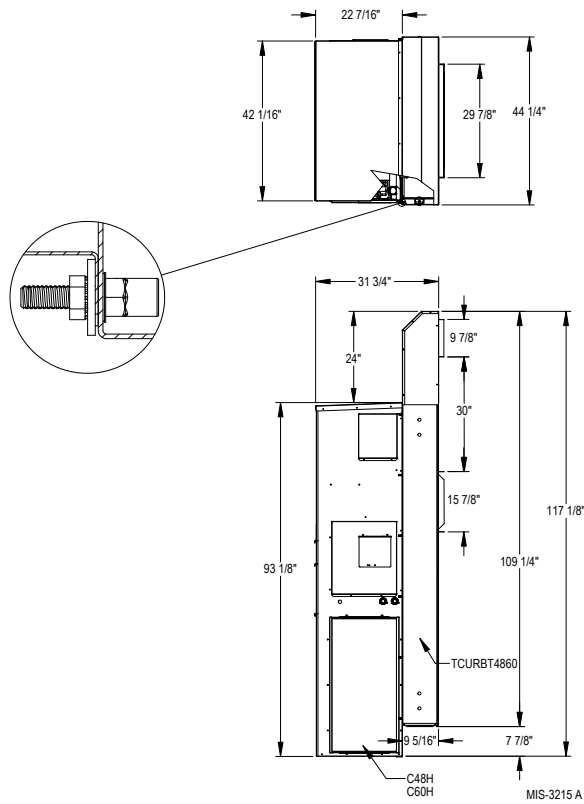
**FIGURE 4**  
**TCURBT2430A**



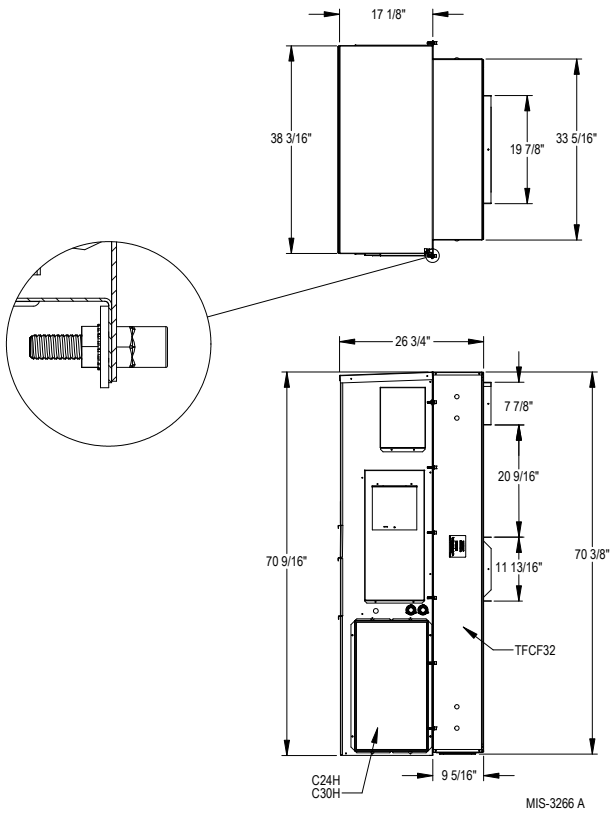
**FIGURE 5**  
**TCURBT3642A**



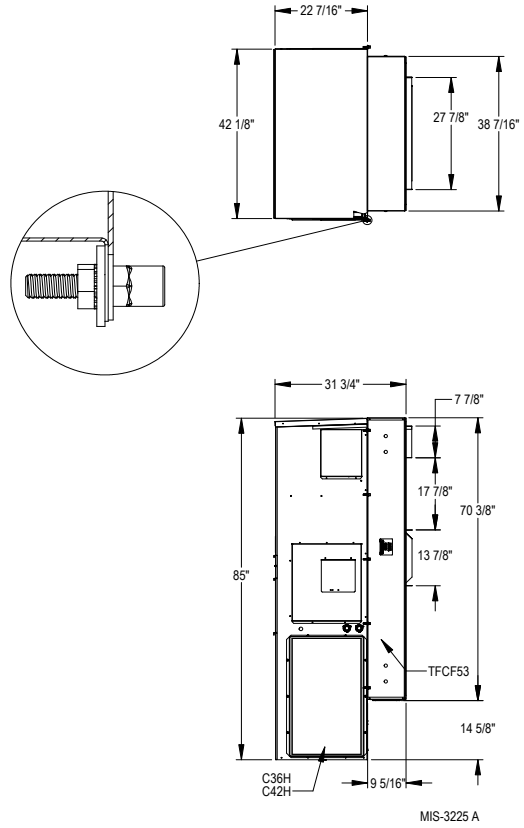
**FIGURE 6**  
**TCURBT4860A**



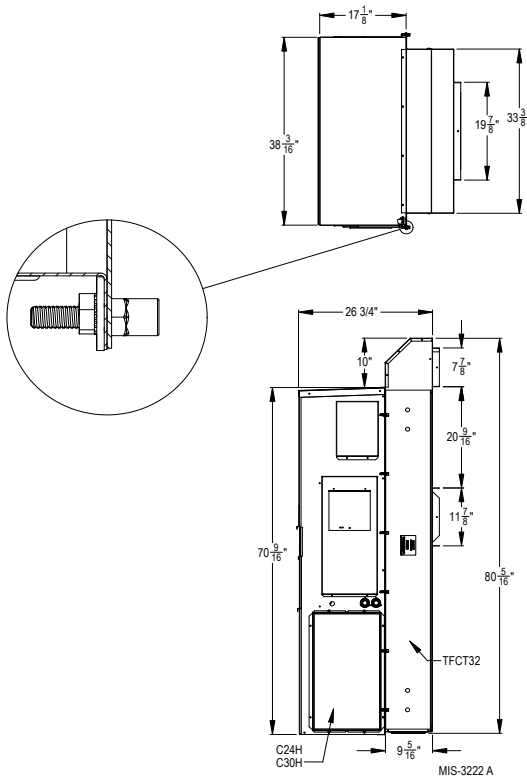
**FIGURE 7  
TFCF-32B**



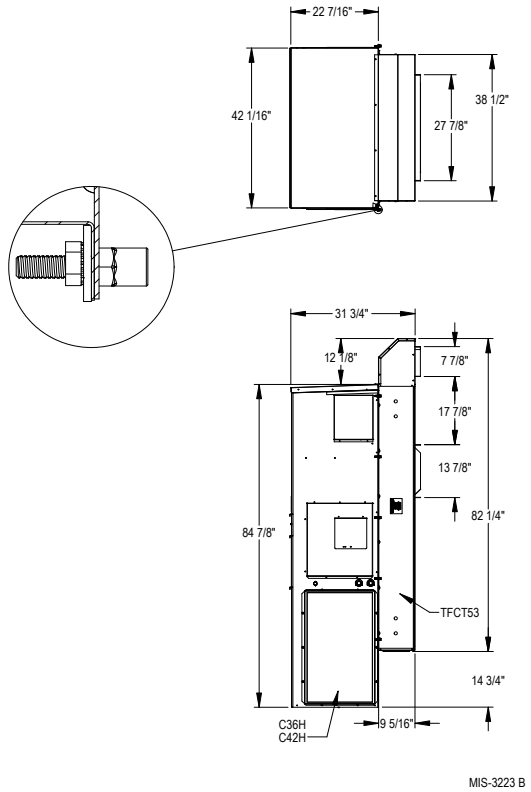
**FIGURE 8  
TFCF-53B**



**FIGURE 9  
TFCT-32B**



**FIGURE 10  
TFCT-53B**



## Installation

Field-supplied tools needed for installation:

- Appropriate personal protection equipment, including gloves and safety glasses
- 5/16" nut driver
- 1/2" (13mm) wrench or deep well socket
- 3/4" (19mm) wrench or socket
- Safe method of lifting equipment
- Outdoor-rated silicone caulk

### TCURBF\*\*\*\*\*-\*, TCURFT\*\*\*\*\*-\* New Installations

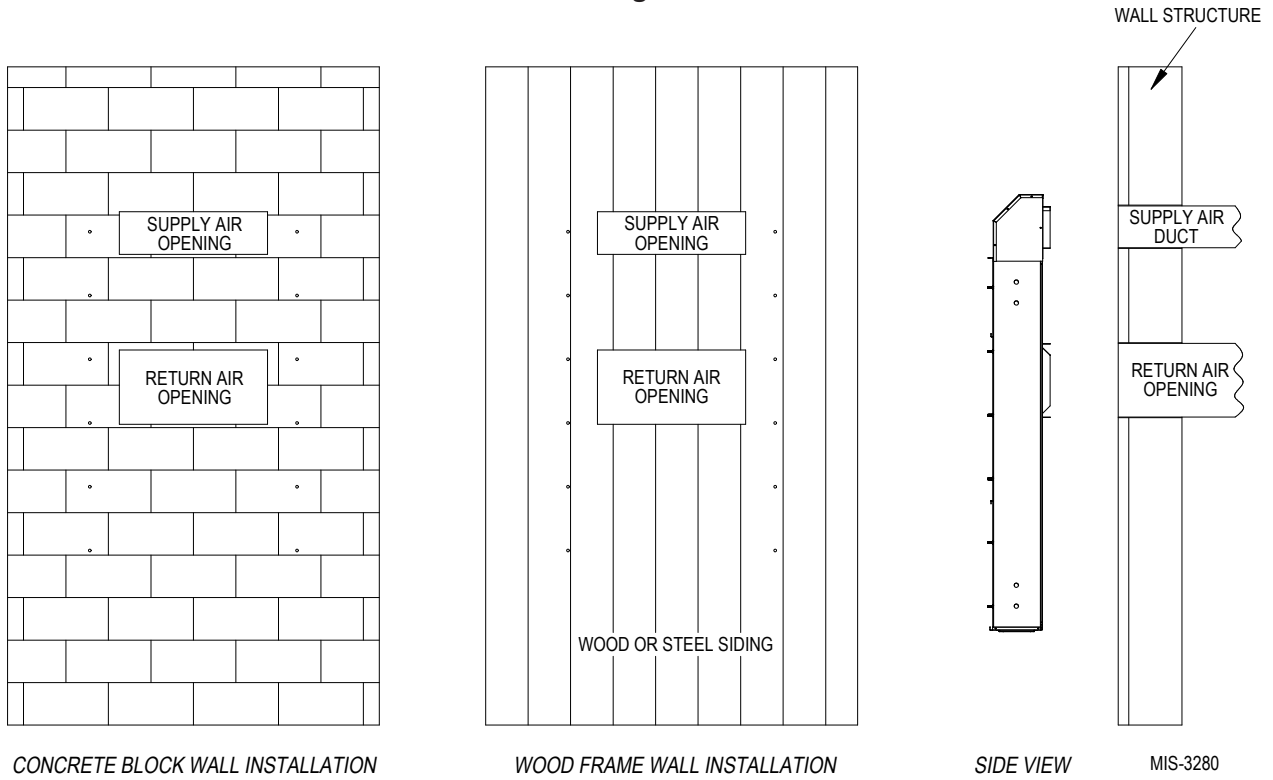
1. Frame the wall in accordance with these installation instructions. See Figures 11-17.
2. Remove the packaging from the curb but leave attached to the skid for now.
- 3a. **TCURB\*2430A models:** Measure the distance between the SA (supply air) and RA (return air) opening in the wall and verify the curb has the correct back orientation for the wall. The curbs come out of the box set up for nominal 6" spacing between SA and RA. To convert to nominal 18" spacing, remove the RA panel from the back, rotate the RA panel 180° and place into position covering the lower open area. There should now be nominal 18" spacing between the SA and RA openings. Once verified, replace all screws securing the RA panel into place.
- 3b. **TCURB\*3642A and TCURB\*4860A models:** Measure the distance between the SA (supply air) and RA (return air) opening in the wall and verify the curb has the correct back orientation for the wall. The curbs come out of the box set up for nominal 6" spacing between SA and RA. To convert to nominal 30" spacing, remove the solid panel and RA panels from the back, move the solid panel up and attach to the bottom of the SA panel. Rotate the RA panel 180° and place into position covering lower open area. There should now be nominal 30" spacing between the SA and RA openings. Once verified, replace all screws securing the RA panel into place.
4. Remove curb from skid and lay flat on the back on the ground or on saw horses.
5. Attach the bug screen frame to the bottom of the curb with screws provided. Insert the bug screen.
6. Remove the four (4) bolts and lock washers holding the outer frame to the inner frame.
7. On top outlet versions, leave the upper support angle on the outer frame at this time.
8. Slide the outer frame off of the inner frame and set aside.
9. On the TCURBT3642A-\* and TCURBT4860A-X, mount the top box to the inner frame using the screws provided. The top box is shipped attached on all other curbs.
10. On the inner frame, locate the TL side indicating Top Left. On the rear of the mounting flange, apply a liberal amount of silicone caulk to weather seal the inner curb to the structure.
11. Mount the inner frame to the wall using lag bolts. Be sure to center the supply and return flanges of the back in the wall openings. Verify the curb is square.
12. Remove the lower partition blank-off plate if the unit has an economizer installed in it. On C24H and C30H units, also remove the lower partition blank-off plate if the unit has a CHCRV-3 installed in it.
13. Slide the outer frame back over the inner frame and reattach using the four (4) bolts and lock washers removed in Step 6. The bug screen should be at the bottom of the curb. The top outlet sides must slide under the top outlet box sides.  
***NOTE:** The outside curb will need to be compressed slightly to get the bolts started. Clamps or pliers may be needed to compress the rear seal to align the bolt holes. It is necessary for the seal to be under compression so when the wall mount is installed, adequate weather sealing is maintained.*
14. Remove the upper support angle now if a top outlet curb.
15. Verify the curb is square.
16. Raise the unit to the curb with a suitable lift and engage the top of the unit to the curb first by slightly tipping the unit toward the curb. On top outlet curbs, ensure the unit is underneath the lip on the top outlet box. Caulk may be applied under the lip of the top outlet box if desired.
17. Engage nuts and washers (supplied) loosely to the top two (2) bolts in the curb to help keep the top of the unit in position.
18. Pivot the unit down to engage the remainder of the bolts and fasten securely to the curb with nuts and washers (supplied). See Figure 22.
19. Apply a liberal amount of caulk across the top seam of the curb where it meets the unit or top outlet box. Also apply caulk where the curb or top box meet the wall (see Figures 23 and 24).
20. Connect power wires and thermostat wires to the unit. Use flexible conduit to maintain vibration isolation. Use of rigid conduit is not recommended and could cancel the benefits of the curb.
21. Connect ductwork per standard practices.

**TFCT-32B-\*, TFCF-32B-\*, TFCT-53B-\*, TFCF-53B-\***  
**Retrofit installations**

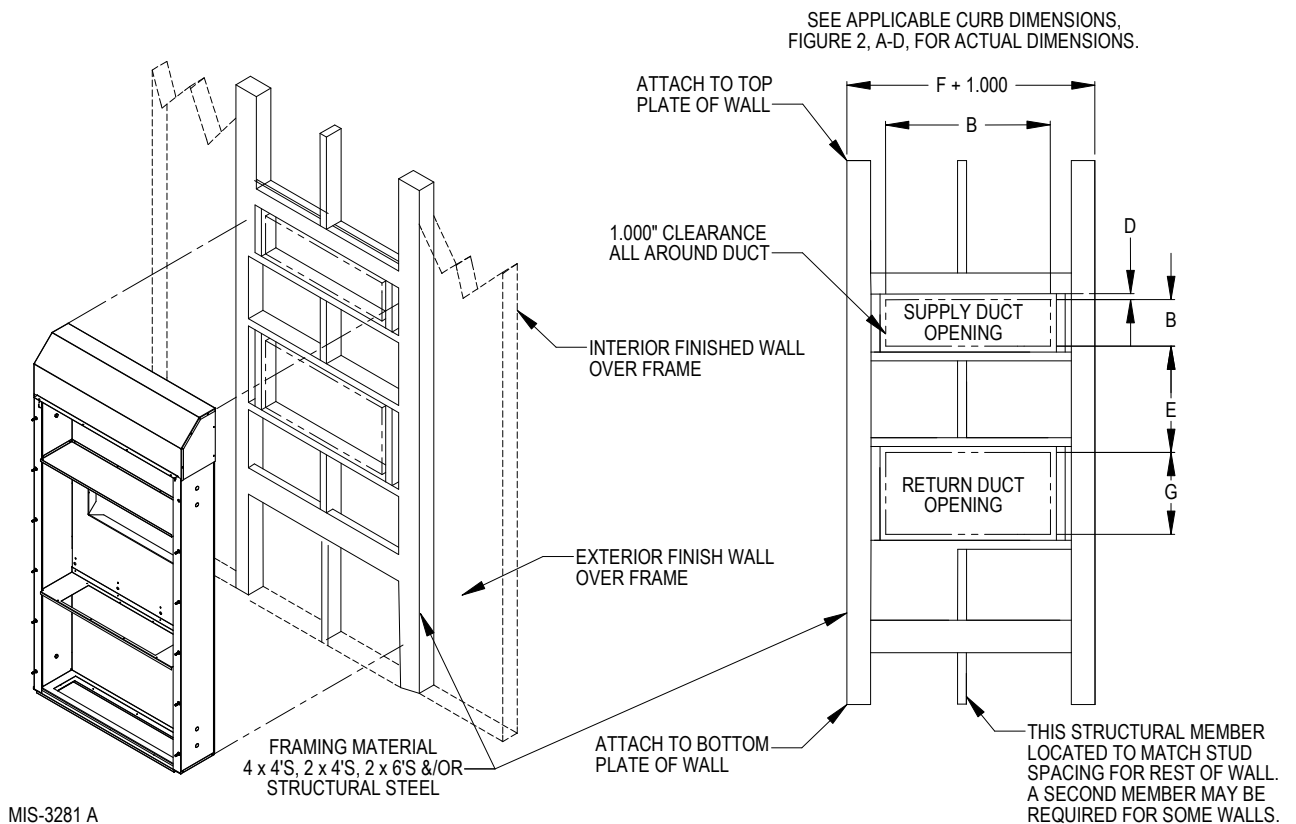
***Adding to Existing Installation***

1. Disconnect the electrical entrance and thermostat wires from the old unit.
2. Disconnect the duct work as required from the old unit.
3. Supporting the unit, remove the mechanical fasteners retaining the wall mount unit to the structure, then lower the unit and move it off to the side.
4. Remove and discard bottom mounting bracket for wall mount.
5. Remove the packaging from the curb, but leave attached to the skid for now.
6. Verify that the wall is structurally sound. Make sure the new curb mounting holes will allow lag screws or other fastening devices to be inserted into supporting wall structure.
7. Measure the distance between the supply and return opening in the wall and verify the curb has the correct back orientation for the wall. If not, remove the inner back, turn 180° and reattach (see Figure 22). Verify the correct dimensions are correct.
8. Remove curb from skid and lay flat on the back on the ground or on saw horses.
9. Attach the bug screen frame to the bottom of the curb with screws provided. Insert the bug screen.
10. On top outlet versions, leave the upper support angle on the outer frame at this time.
11. On the curb, locate the TL side indicating Top Left. On the rear of the wall mounting flange, apply a liberal amount of silicone caulk to weather seal the inner curb to the wall structure.
12. Mount the curb to the wall using lag bolts. The rubber plugs installed in the outer curb side flanges can be removed for lag hole access. Use a long drill driver extension (12") to reach lag holes. Be sure to center the supply and return flanges of the back in the wall openings. Verify the curb is square.
13. Remove the lower partition blank-off plate if the unit has an economizer installed in it. On C24H and C30H units, also remove the lower partition blank-off plate if the unit has a CHCRV-3 installed in it.
14. Remove the upper support angle now if a top outlet curb.
15. Verify the curb is square.
16. Raise the unit to the curb with a suitable lift and engage the top of the unit to the curb first by slightly tipping the unit toward the curb. On top outlet curbs, ensure the unit is underneath the lip on the top outlet box. Caulk may be applied under the lip of the top outlet box if desired.
17. Engage nuts and washers (supplied) loosely to the top two (2) bolts in the curb to help keep the top of the unit in position.
18. Pivot the unit down to engage the remainder of the bolts and fasten securely to the curb with nuts and washers (supplied). See Figure 22.
19. Apply a liberal amount of caulk across the top seam of the curb where it meets the unit or top outlet box. Also apply caulk where the curb or top box meet the wall (see Figures 23 and 24).
20. Connect power wires and thermostat wires to the units. Use flexible conduit to maintain vibration isolation. Use of rigid conduit is not recommended and could cancel the benefits of the curb.
21. Connect ductwork per standard practices.

**FIGURE 11**  
Wall Mounting Instructions

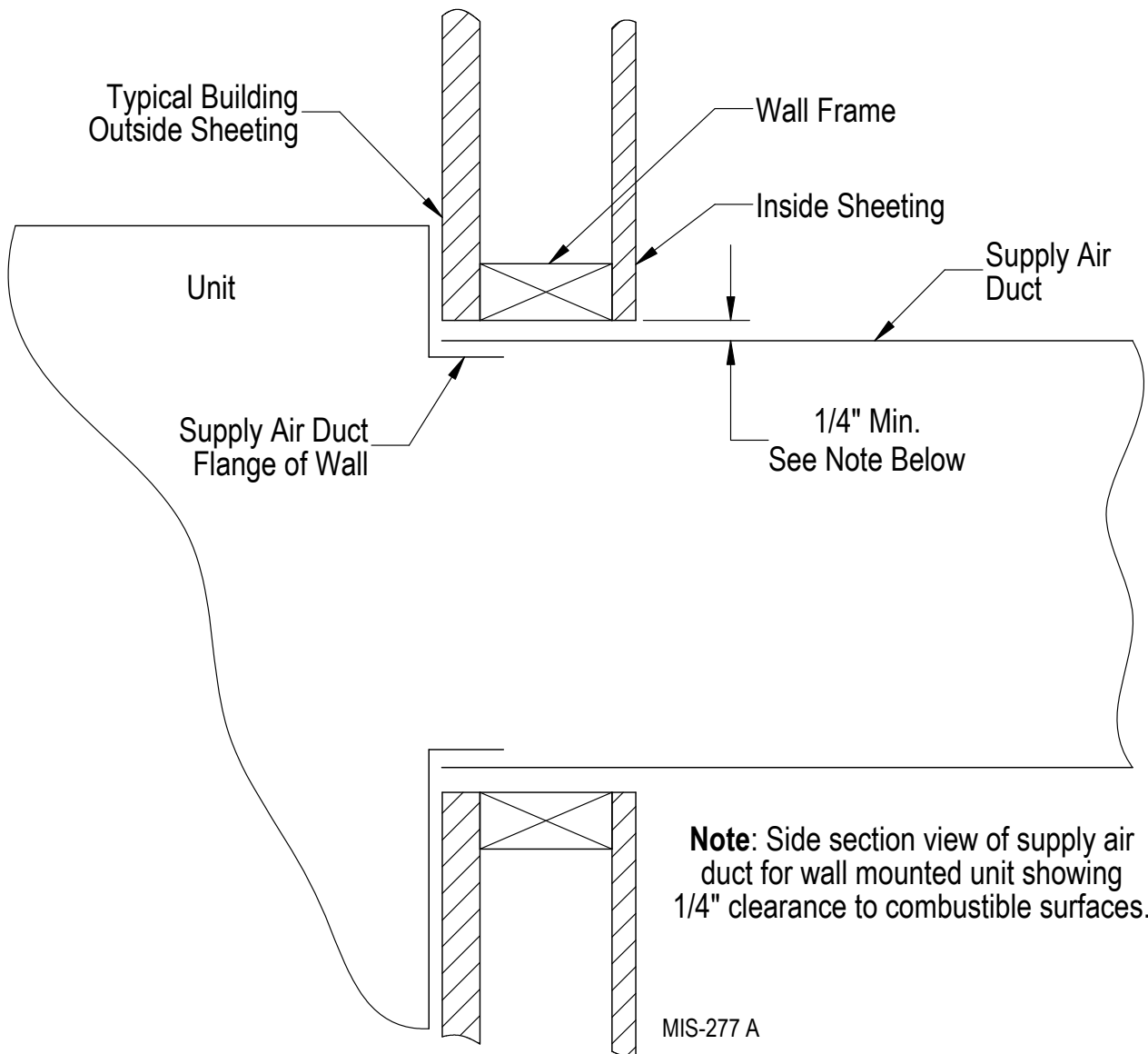


**FIGURE 12**  
Wall Mounting Instructions



MIS-3281 A

**FIGURE 13**  
**Electric Heat Clearance**



## **WARNING**

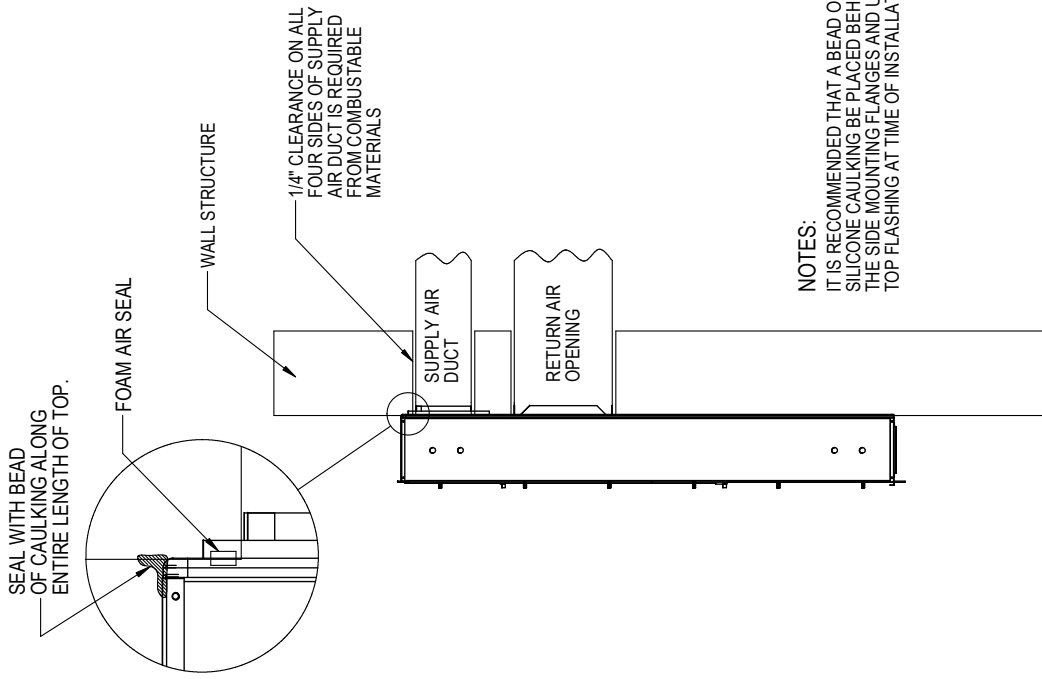
A **minimum** of 1/4" clearance must be maintained between the supply air duct and combustible materials. This is required for the first 3' of ducting.

It is important to ensure that the 1/4" minimum spacing is maintained at all points.

Failure to do this could result in overheating the combustible material and may result in a fire causing damage, injury or death.

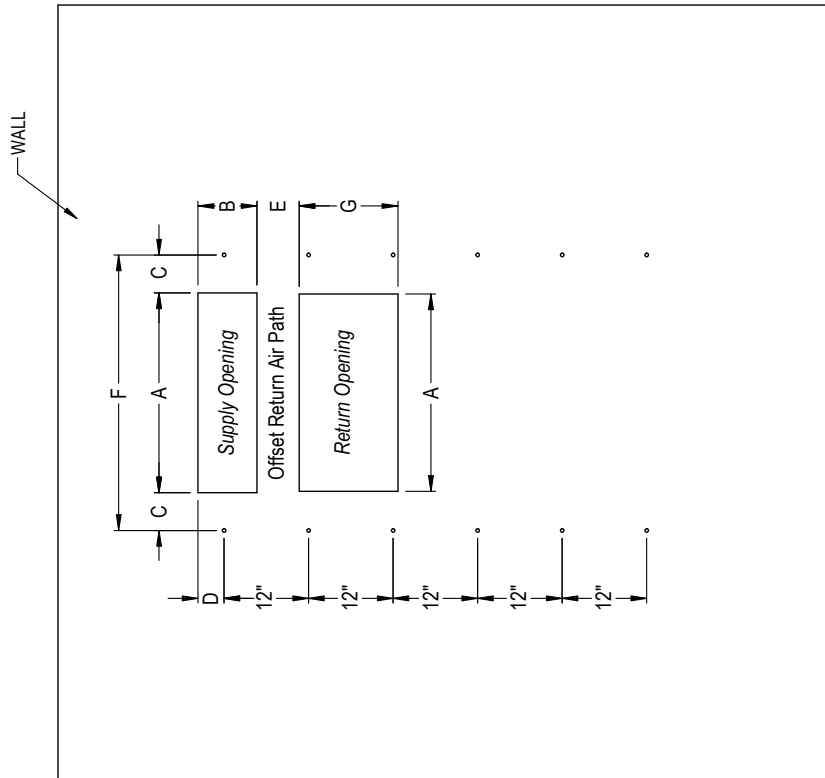
**FIGURE 14**  
**TCURBF2430A**  
**Supply and Return Openings**

	A	B	C	D	E	F	G
REQUIRED DIMENSIONS TO MAINTAIN 1/4" MIN. CLEARANCE FROM COMBUSTIBLE MATERIALS	28 3/8	8 3/8	5 3/8	3 11/16	5 3/4	39 1/8	14
REQUIRED DIMENSIONS TO MAINTAIN RECOMMENDED 1" CLEARANCE FROM COMBUSTIBLE MATERIALS	29 7/8	9 7/8	4 5/8	4 7/16	5	39 1/8	14



**NOTES:**  
 IT IS RECOMMENDED THAT A BEAD OF SILICONE CAULKING BE PLACED BEHIND THE SIDE MOUNTING FLANGES AND UNDER TOP FLASHING AT TIME OF INSTALLATION.

Right Side View

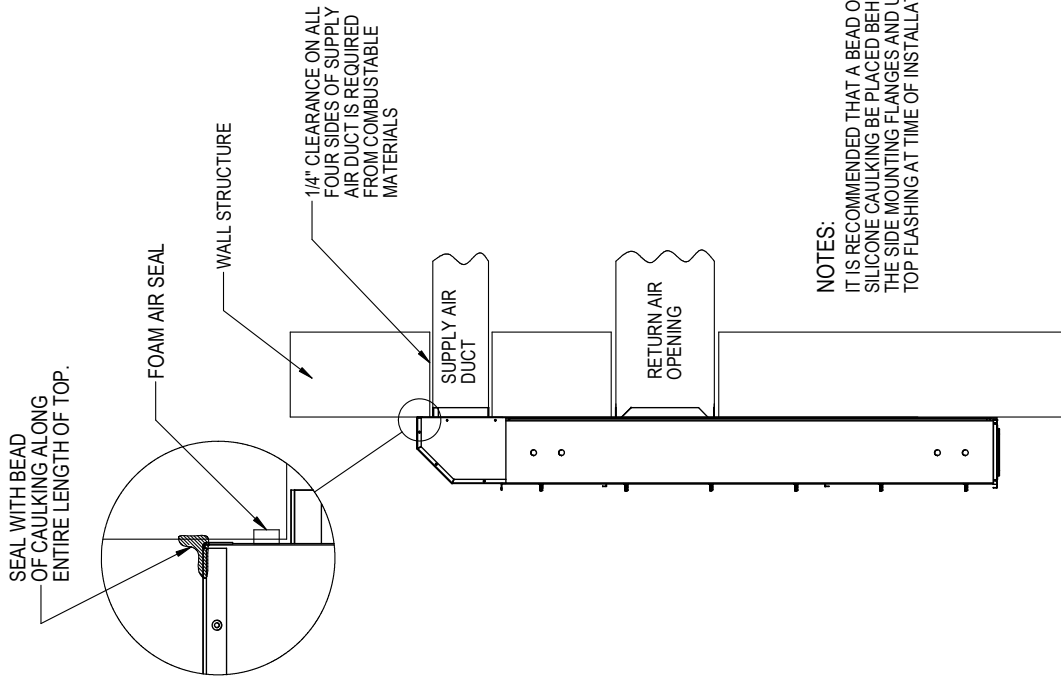


Wall Opening and Hole Location View

MIS-3276 B

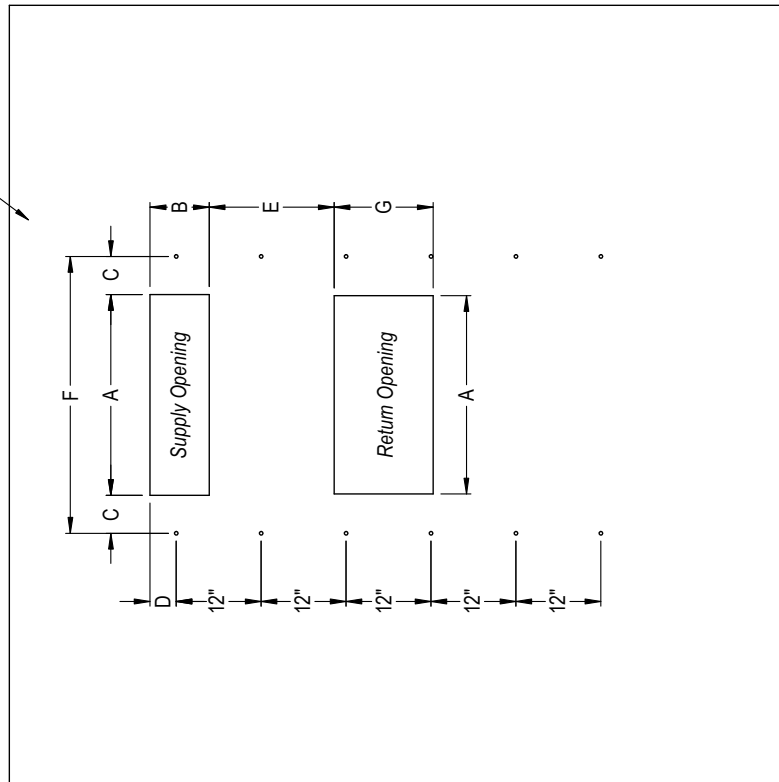
**FIGURE 15**  
**TCURBT2430A**  
**Supply and Return Openings**

	A	B	C	D	E	F	G
REQUIRED DIMENSIONS TO MAINTAIN 1/4" MIN. CLEARANCE FROM COMBUSTIBLE MATERIALS	28 3/8	8 3/8	5 3/8	3 11/16	17 5/8	39 1/8	14
REQUIRED DIMENSIONS TO MAINTAIN RECOMMENDED 1" CLEARANCE FROM COMBUSTIBLE MATERIALS	29 7/8	9 7/8	4 5/8	4 7/16	16 7/8	39 1/8	14



**NOTES:**  
 IT IS RECOMMENDED THAT A BEAD OF SILICONE CAULKING BE PLACED BEHIND THE SIDE MOUNTING FLANGES AND UNDER TOP FLASHING AT TIME OF INSTALLATION.

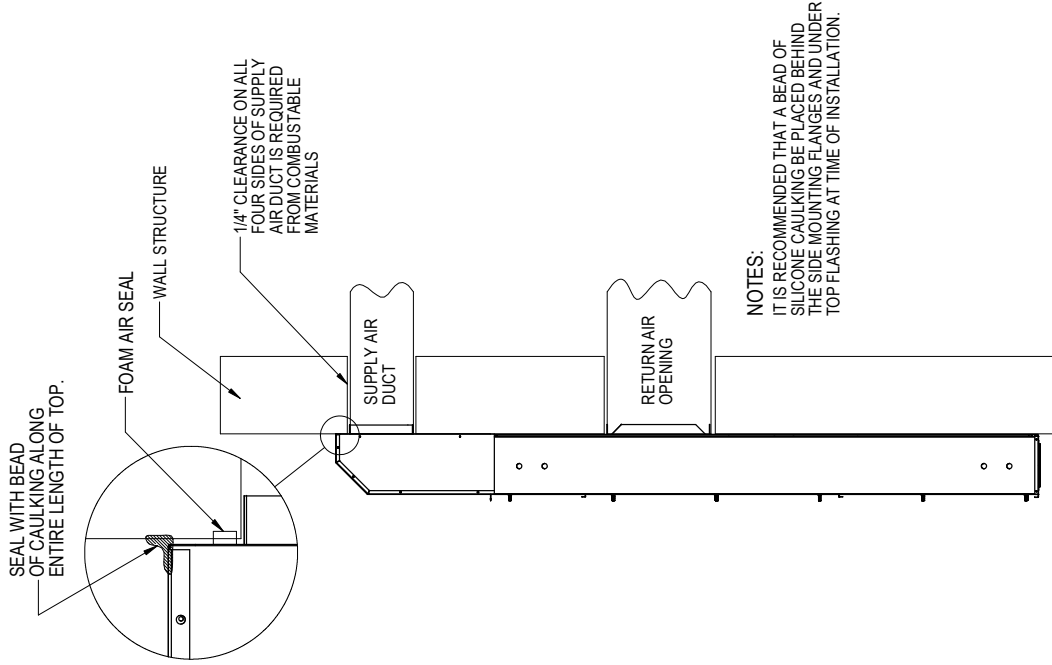
*Right Side View*



*Wall Opening and Hole Location View*

MIS-3277 B

**FIGURE 16**  
**TCURBT3642A and TCURBT4860A**  
**Supply and Return Openings**

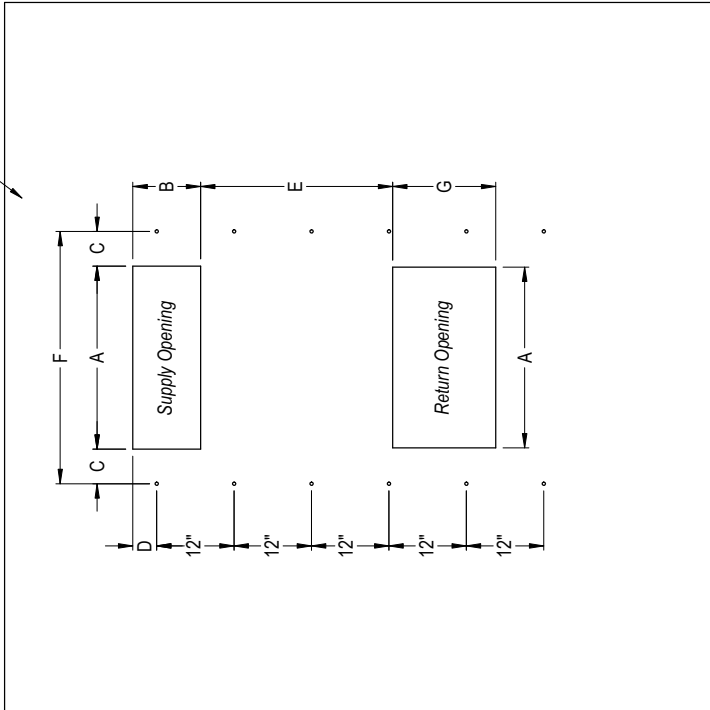


**NOTES:**  
 IT IS RECOMMENDED THAT A BEAD OF SILICONE CAULKING BE PLACED BEHIND THE SIDE MOUNTING FLANGES AND UNDER TOP FLASHING AT TIME OF INSTALLATION.

*Right Side View*

	A	B	C	D	E	F	G
REQUIRED DIMENSIONS TO MAINTAIN 1/4" MIN. CLEARANCE FROM COMBUSTIBLE MATERIALS	30 1/2	10 1/2	6 1/4	1 1/4	29 3/4	43	16
REQUIRED DIMENSIONS TO MAINTAIN RECOMMENDED 1" CLEARANCE FROM COMBUSTIBLE MATERIALS	32	12	5 1/2	2	29	43	16

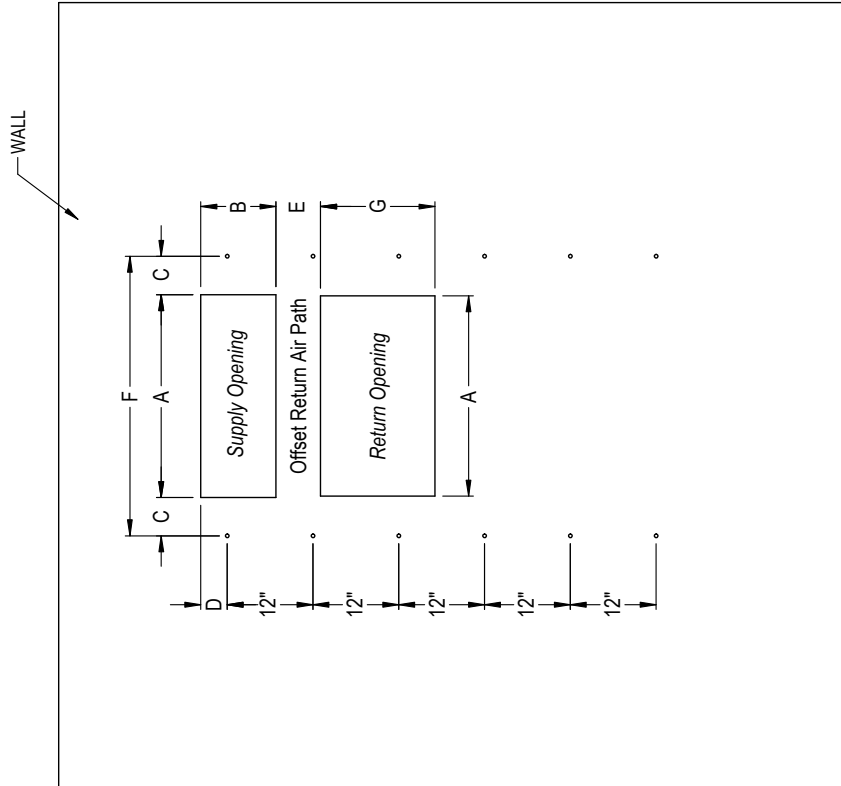
WALL



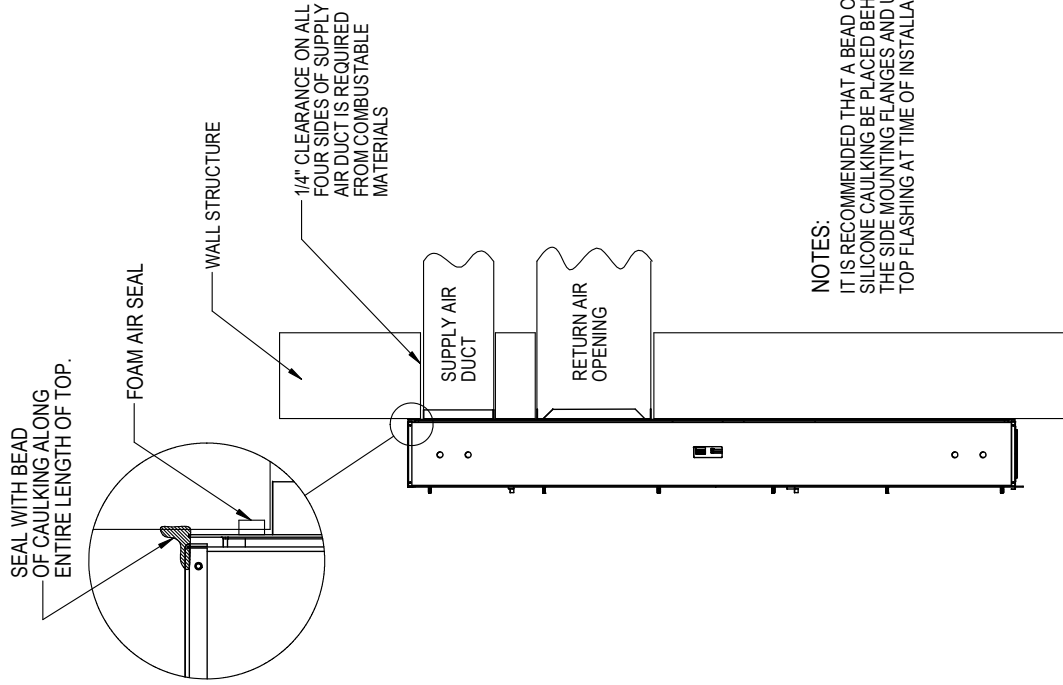
*Wall Opening and Hole Location View*

**FIGURE 17**  
**TCURBF3642A and TCURBF4860A**  
**Supply and Return Openings**

	A	B	C	D	E	F	G
REQUIRED DIMENSIONS TO MAINTAIN 1/4" MIN. CLEARANCE FROM COMBUSTIBLE MATERIALS	30 1/2	10 1/2	6 1/4	1 1/4	5 3/4	43	16
REQUIRED DIMENSIONS TO MAINTAIN RECOMMENDED 1" CLEARANCE FROM COMBUSTIBLE MATERIALS	32	12	5 1/2	2	5	43	16



*Wall Opening and Hole Location View*



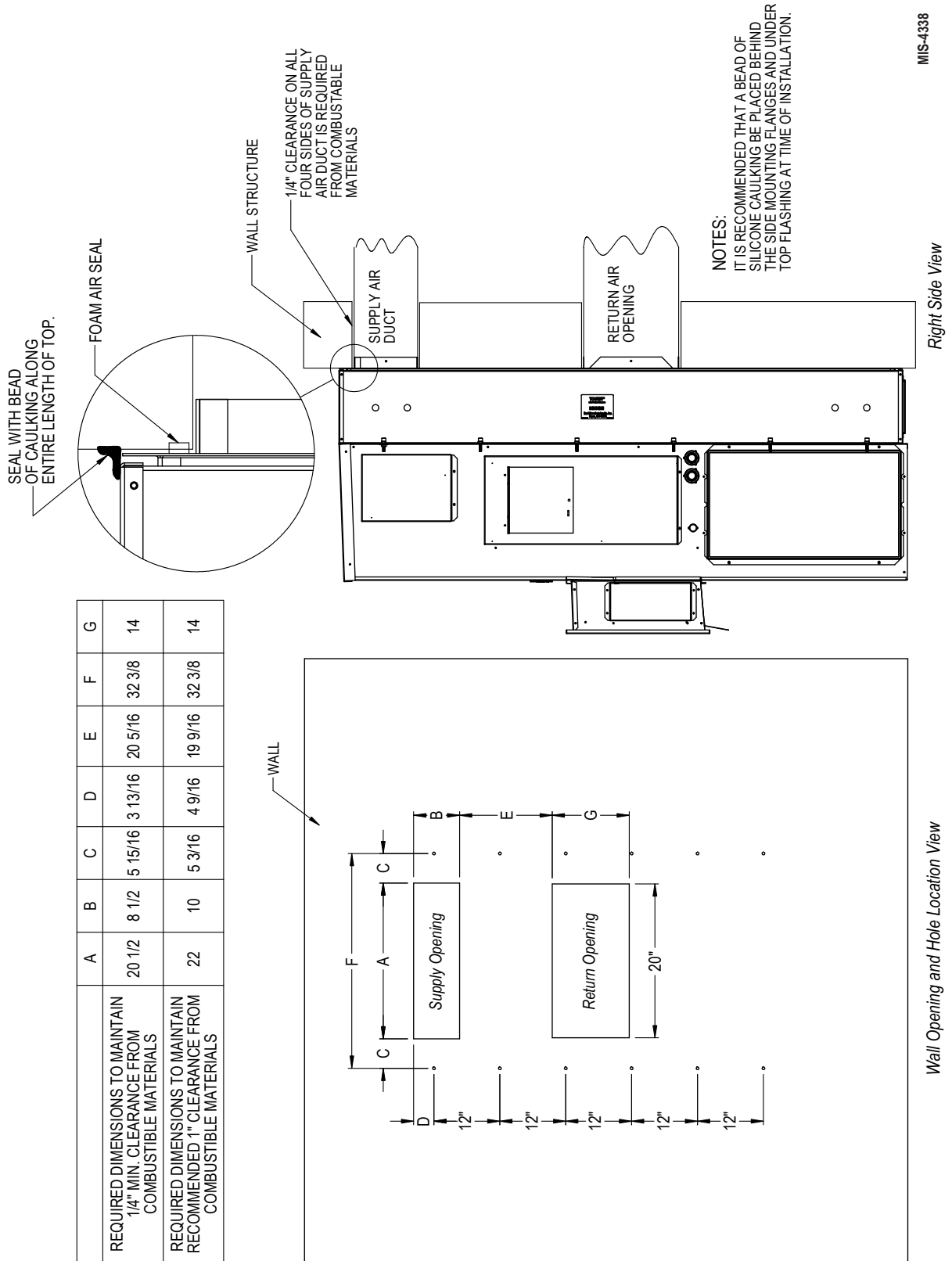
*Right Side View*

**NOTES:**  
 IT IS RECOMMENDED THAT A BEAD OF SILICONE CAULKING BE PLACED BEHIND THE SIDE MOUNTING FLANGES AND UNDER TOP FLASHING AT TIME OF INSTALLATION.

MIS-3279 B

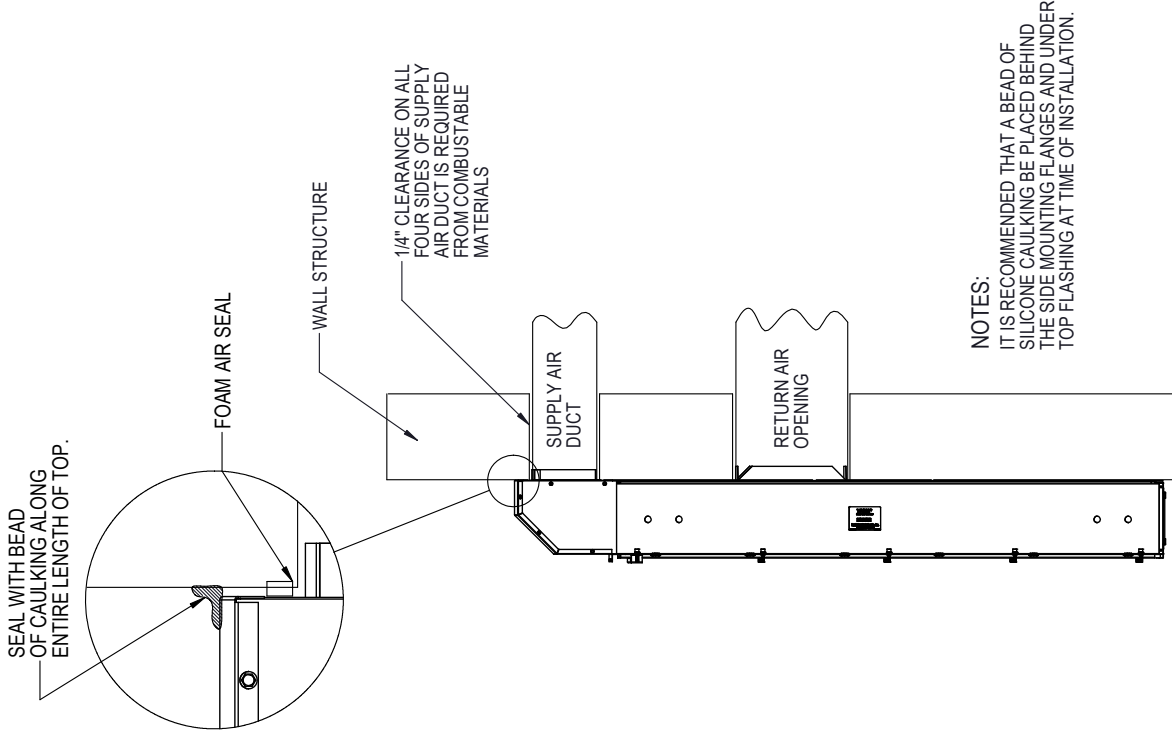
**FIGURE 18**  
**TFCF-32B Supply and Return Openings**

	A	B	C	D	E	F	G
REQUIRED DIMENSIONS TO MAINTAIN 1/4" MIN. CLEARANCE FROM COMBUSTIBLE MATERIALS	20 1/2	8 1/2	5 15/16	3 13/16	20 5/16	32 3/8	14
REQUIRED DIMENSIONS TO MAINTAIN RECOMMENDED 1" CLEARANCE FROM COMBUSTIBLE MATERIALS	22	10	5 3/16	4 9/16	19 9/16	32 3/8	14



MIS-4338

**FIGURE 19**  
**TFCT-32B Supply and Return Openings**

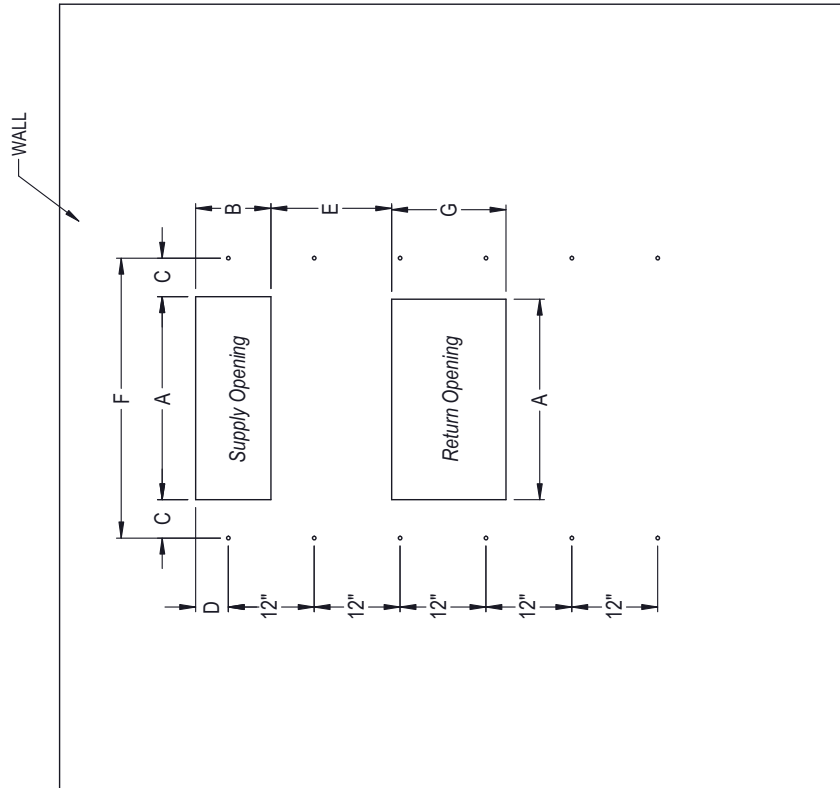


**NOTES:**  
IT IS RECOMMENDED THAT A BEAD OF SILICONE CAULKING BE PLACED BEHIND THE SIDE MOUNTING FLANGES AND UNDER TOP FLASHING AT TIME OF INSTALLATION.

Right Side View

MIS-4340

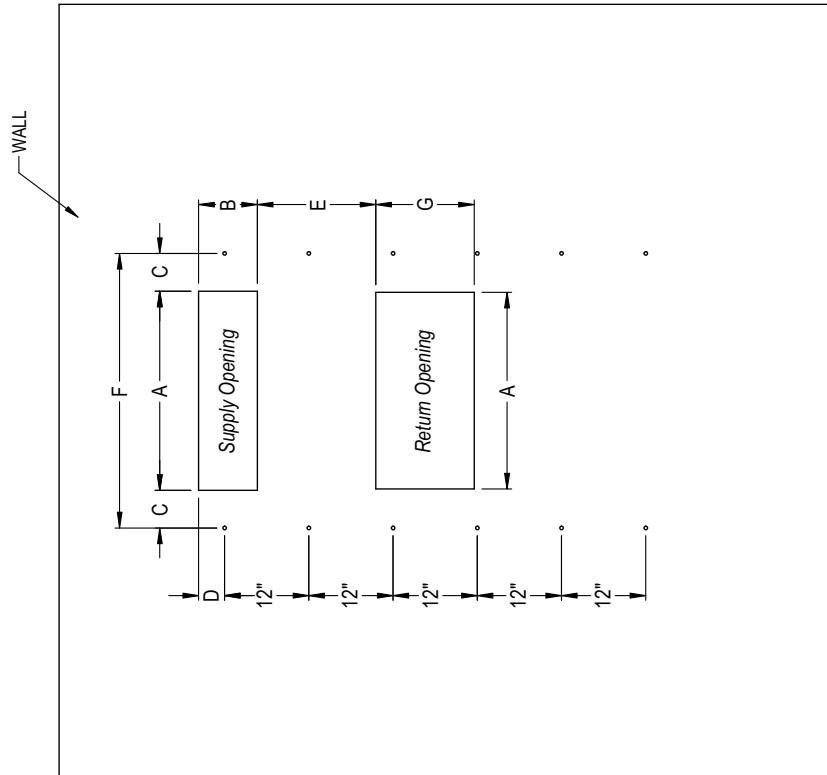
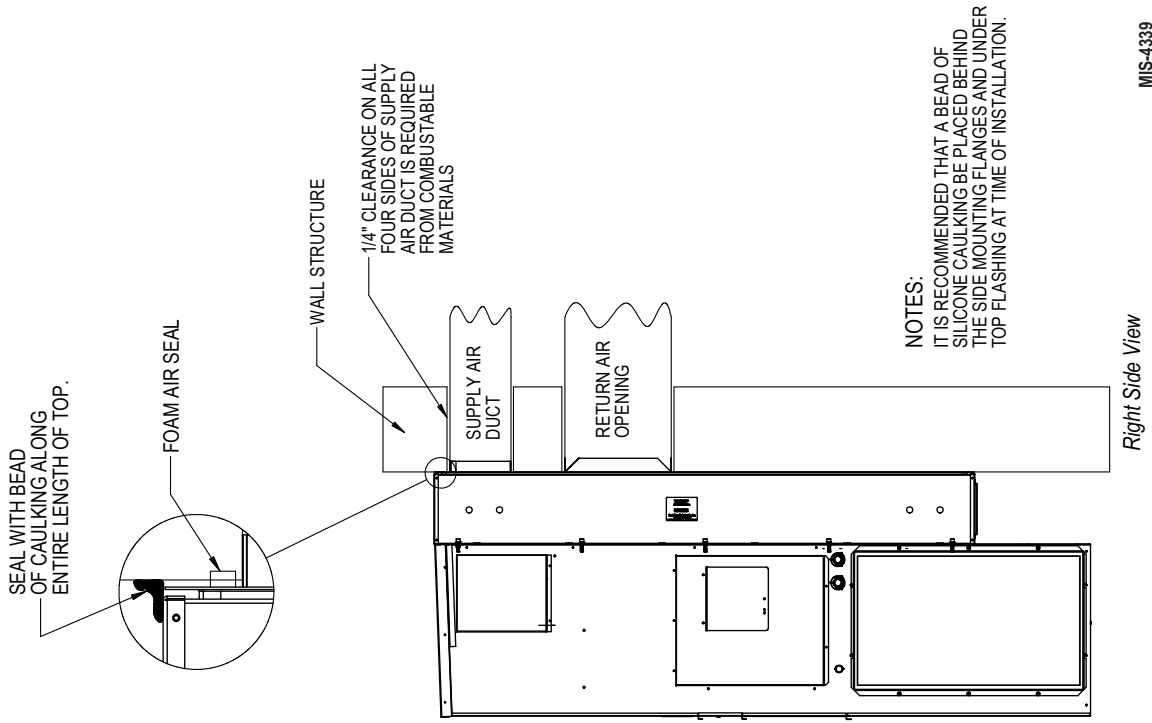
	A	B	C	D	E	F	G
REQUIRED DIMENSIONS TO MAINTAIN 1/4" MIN. CLEARANCE FROM COMBUSTIBLE MATERIALS	20 1/2	8 1/2	5 15/16	3 13/16	20 5/16	32 3/8	14
REQUIRED DIMENSIONS TO MAINTAIN RECOMMENDED 1" CLEARANCE FROM COMBUSTIBLE MATERIALS	22	10	5 3/16	4 9/16	19 9/16	32 3/8	14



Wall Opening and Hole Location View

**FIGURE 20**  
**TFCF-53B Supply and Return Openings**

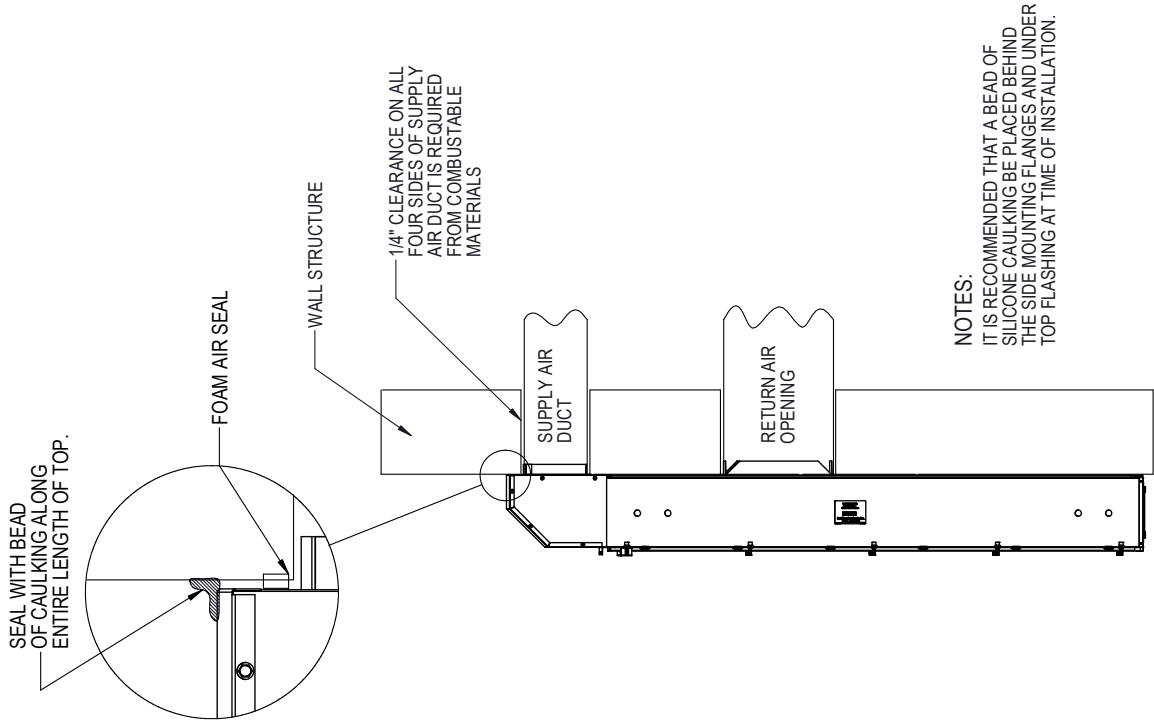
	A	B	C	D	E	F	G
REQUIRED DIMENSIONS TO MAINTAIN 1/4" MIN. CLEARANCE FROM COMBUSTIBLE MATERIALS	28 1/2	8 1/2	5 5/16	3 13/16	17 5/8	39 1/8	14
REQUIRED DIMENSIONS TO MAINTAIN RECOMMENDED 1" CLEARANCE FROM COMBUSTIBLE MATERIALS	30	10	4 9/16	4 9/16	16 7/8	39 1/8	14



MIS-4339

**FIGURE 21**  
**TFCT-53B Supply and Return Openings**

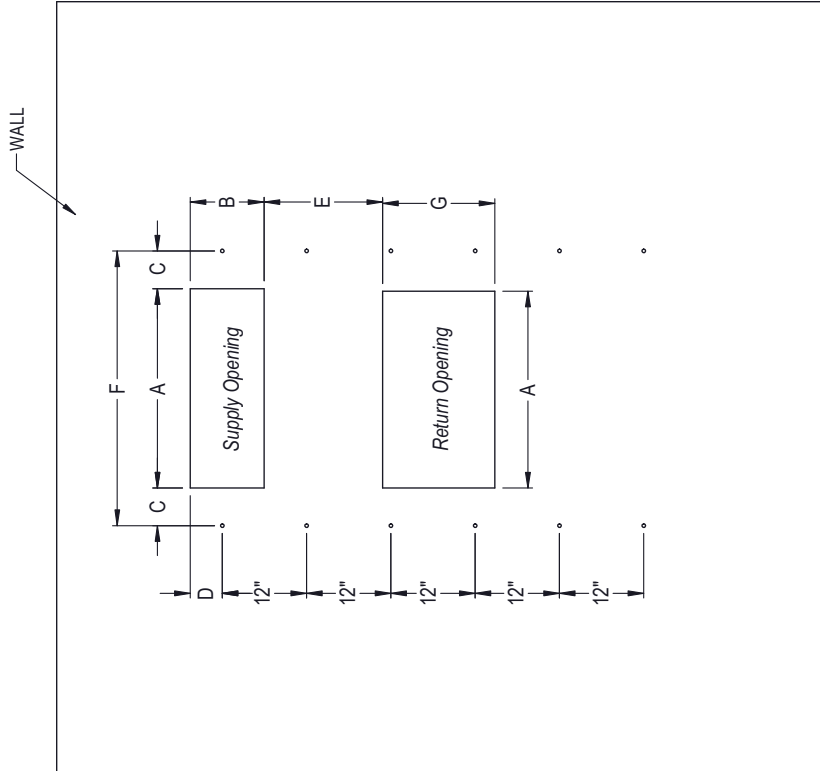
	A	B	C	D	E	F	G
REQUIRED DIMENSIONS TO MAINTAIN 1/4" MIN. CLEARANCE FROM COMBUSTIBLE MATERIALS	28 1/2	8 1/2	5 15/16	3 13/16	17 5/8	39 1/8	14
REQUIRED DIMENSIONS TO MAINTAIN RECOMMENDED 1" CLEARANCE FROM COMBUSTIBLE MATERIALS	30	10	4 9/16	4 9/16	16 7/8	39 1/8	14



**NOTES:**  
IT IS RECOMMENDED THAT A BEAD OF SILICONE CAULKING BE PLACED BEHIND THE SIDE MOUNTING FLANGES AND UNDER TOP FLASHING AT TIME OF INSTALLATION.

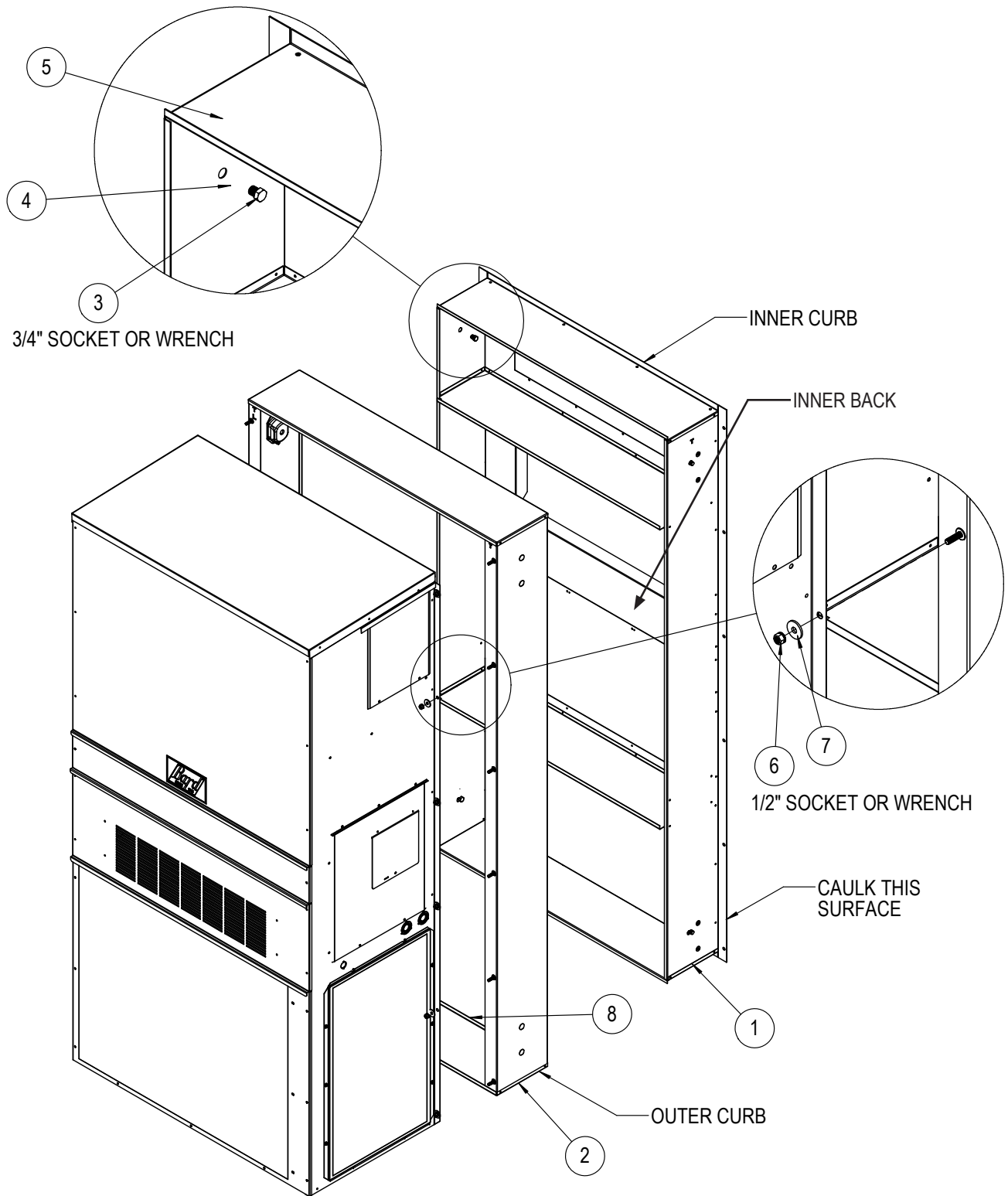
MIS-3841B

Right Side View



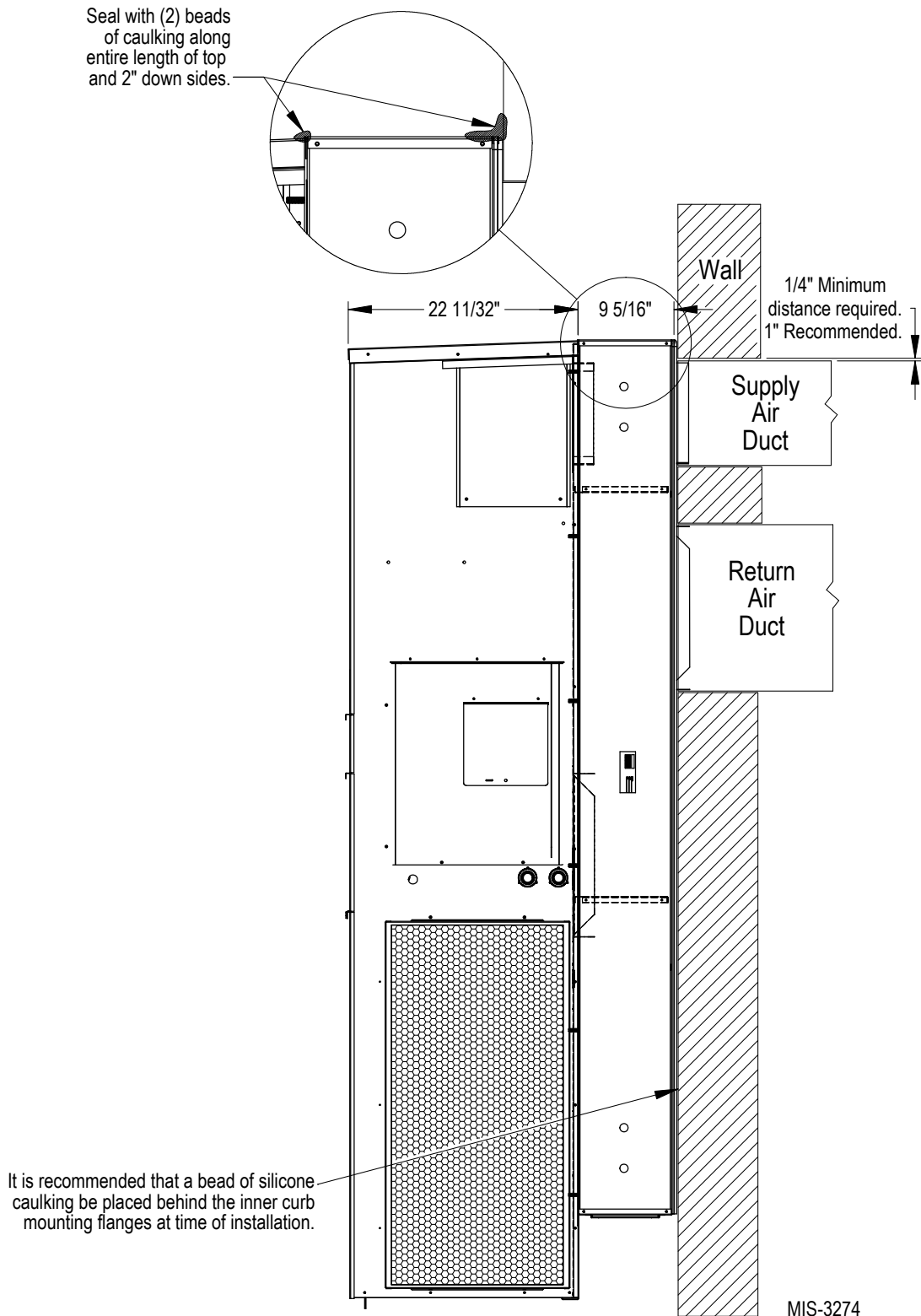
Wall Opening and Hole Location View

**FIGURE 22**  
**Fastening Unit to Curb**

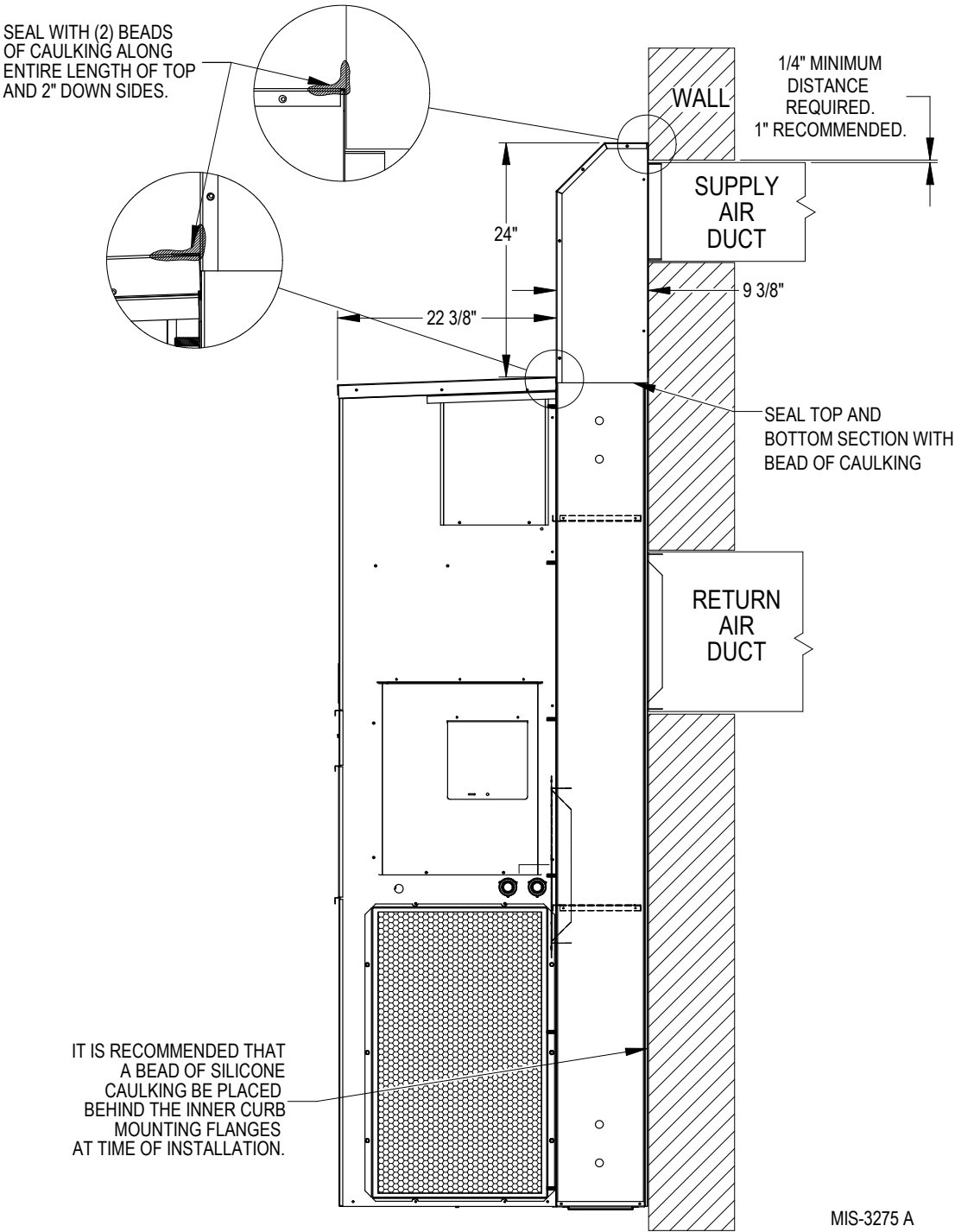


MIS-3086 A

**FIGURE 23**  
**Sealing with Caulk**

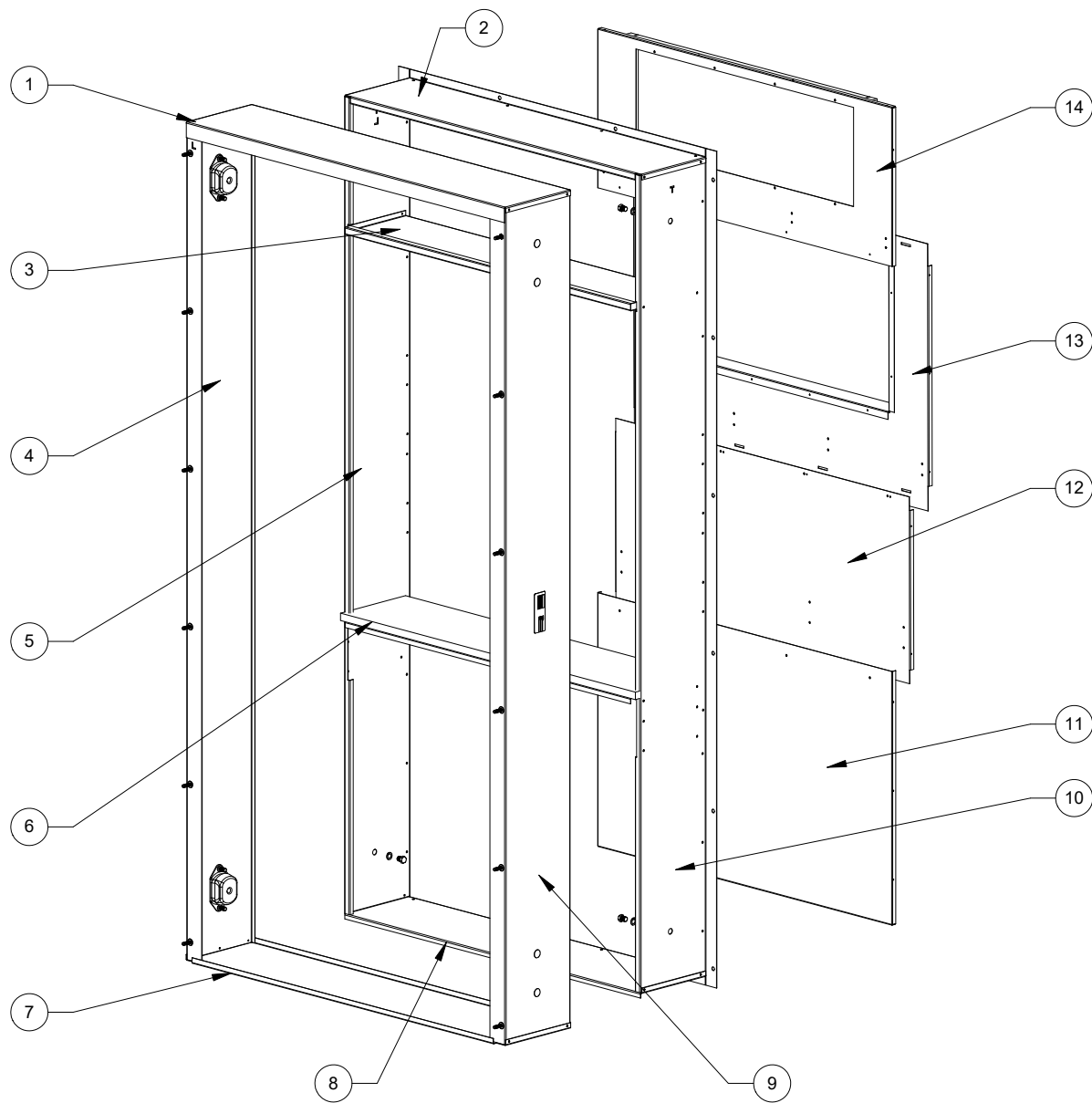


**FIGURE 24**  
**Sealing with Caulk (Top Outlet Curb)**



# Replacement Parts

## Wall Curb



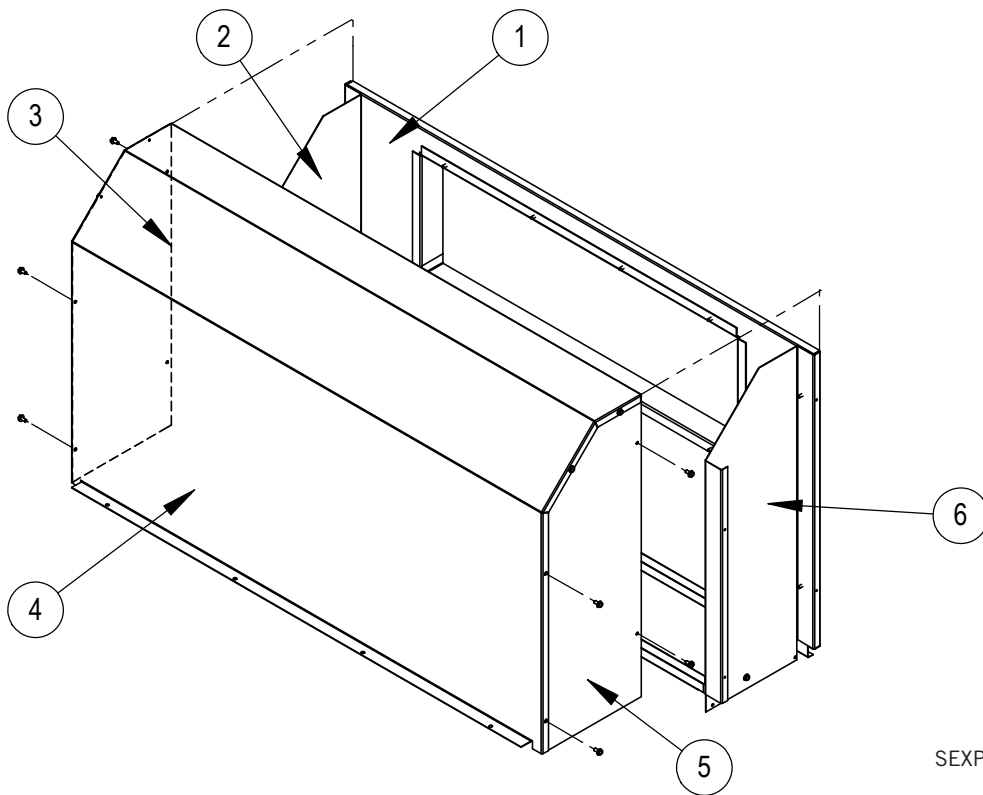
SEXP-1072

## Wall Curb

Dwg No.	Part Number	Description	TCURBF2430A	TCURBF3642A	TCURBF4860A	TCURBT2430A	TCURBT3642A	TCURBT4860A	TFCF-32B	TFCF-53B	TFCT-32B	TFCT-53B
1	141-469-*BX ①	Top Outside Support	X									
1	141-446-*BX ①	Top Outside Support		X	X							
1	141-419-*BX ①	Top Outside Support							X			
1	141-417-*BX ①	Top Outside Support								X		
2	541-449BX	Top Inside Support	X									
2	541-447BX	Top Inside Support		X	X							
2	541-460BX	Top Inside Support							X			
2	541-461BX	Top Inside Support								X		
3	521-532BX	Upper Partition	X			X						
3	521-530BX	Upper Partition		X	X		X	X				
3	521-539BX	Upper Partition							X		X	
3	521-540BX	Upper Partition								X		X
4	501-760-*BX ①	Outside Left Side	X			X						
4	501-756-*BX ①	Outside Left Side		X	X		X	X				
4	501-1046-*BX ①	Outside Left Side							X		X	
4	501-1050-*BX ①	Outside Left Side								X		X
5	501-956BX	Inside Left Side	X			X						
5	501-949BX	Inside Left Side		X	X		X	X				
5	501-1048-*BX ①	Inside Left Side							X		X	
5	501-1052-*BX ①	Inside Left Side								X		X
6	521-488BX	Lower Partition	X			X						
6	521-486BX	Lower Partition		X	X		X	X				
6	521-492BX	Lower Partition							X		X	
6	521-490BX	Lower Partition								X		X
7	141-408-*BX ①	Lower Outside Support	X			X						
7	141-406-*BX ①	Lower Outside Support		X	X		X	X				
7	141-415-*BX ①	Lower Outside Support							X		X	
7	141-413-*BX ①	Lower Outside Support								X		X
8	141-407BX	Lower Inside Support	X			X						
8	141-405BX	Lower Inside Support		X	X		X	X				
8	141-414BX	Lower Inside Support							X		X	
8	141-412BX	Lower Inside Support								X		X
9	501-759-*BX ①	Outside Right Side	X			X						
9	501-755-*BX ①	Outside Right Side		X	X		X	X				
9	501-1045-*BX ①	Outside Right Side							X		X	
9	501-1049-*BX ①	Outside Right Side								X		X
10	501-957BX	Inside Right Side	X			X						
10	501-948BX	Inside Right Side		X	X		X	X				
10	501-1047-*BX ①	Inside Right Side							X		X	
10	501-1051-*BX ①	Inside Right Side								X		X
11	109-300BX	Lower Back	X			X						
11	509-317BX	Lower Back		X			X	X				
11	109-312BX	Lower Back			X			X				
11	109-309BX	Lower Back							X		X	
11	509-305BX	Lower Back								X		X
12	509-295BX	Middle Fill		X	X		X	X				
13	509-358BX	Middle Back	X			X						
13	509-354BX	Middle Back		X	X		X	X				
13	509-371BX	Middle Back							X		X	
13	509-374BX	Middle Back								X		X
14	509-360BX	Upper Back	X									
14	509-186BX	Upper Back		X	X							
14	509-359BX	Upper Back				X						
14	509-356BX	Upper Back					X	X				
14	509-307BX	Upper Back							X			
14	509-382BX	Upper Back								X		
14	509-315BX	Upper Back									X	
14	509-379BX	Upper Back										X
NS	7003-069BX	Bug Screen 39" x 6-3/8" x 3/16"		X	X		X	X				
NS	7003-070BX	Bug Screen 34" x 6-3/8" x 3/16"	X			X				X		X
NS	7003-071BX	Bug Screen 27" x 6-3/8" x 3/16"							X		X	

① Exterior cabinet parts are manufactured with various paint color options. To ensure the proper paint color is received, reference the following codes: X – Beige 1 – White 4 – Gray 5 – Desert Brown 8 – Dark Bronze

## Top Box Assembly



SEXP-1073

Dwg No.	Part Number	Description	TCURBT2430A	TCURBT3642A	TCURBT4860A	TFCT-32B	TFCT-53B
1	509-355BX	Back Assembly		X	X		
1	509-383BX	Back Assembly					X
1	509-384BX	Back Assembly	X				
1	509-385BX	Back Assembly				X	
2	501Y950BX	Inner Left Side	X	X	X		X
2	501Y985BX	Inner Left Side				X	
2	501Y986BX	Inner Left Side				X	
3	100-753-*BX ①	Outer Left Side	X	X	X		
3	100-764-*BX ①	Outer Left Side	X				X
3	100-771-*BX ①	Outer Left Side				X	
4	515-255-*BX ①	Main Panel	X	X	X		
4	515-256-*BX ①	Main Panel					X
4	515-257-*BX ①	Main Panel					X
4	515-258-*BX ①	Main Panel				X	
5	100-752-*BX ①	Outer Right Side		X	X		
5	100-763-*BX ①	Outer Right Side	X				X
5	100-770-*BX ①	Outer Right Side				X	
6	501X950BX	Inner Right Side		X	X		
6	501X985BX	Inner Right Side	X				X
6	501X986BX	Inner Right Side				X	

① Exterior cabinet parts are manufactured with various paint color options. To ensure the proper paint color is received, reference the following codes:

X – Beige 1 – White 4 – Gray 5 – Desert Brown 8 – Dark Bronze