

---

# INSTALLATION INSTRUCTIONS

---

## CMC-34 Alarm Relay Installation Kit

---

The CMC-34 is a field-installable alarm relay kit. **This alarm relay kit is only for use on R-410A refrigerant systems.**

The CMC-34 kit is for use with Bard models W18AB, W18LB, W18HB, W24AB, W24LB, W24HB, W30AB, W30LB, W30HB, W36AB, W36LB and W36HB wall-mount units (with or without dehumidification).

The CMC-34 kit consists of:

- 7960-850 Installation Instructions
- 910-1970 Relay Assembly
- 1012-065 Screws (2)
- 7961-312-1484 CMC-34 Unit I.D. Label

Field-supplied tools needed:

- Appropriate personal protection equipment, including gloves and safety glasses
- 5/16" nut driver
- T20 Torx screwdriver
- Small flat head screwdriver for securing wire in terminal blocks
- Electrical tools
- Multimeter

### Installation

Disconnect all power to wall-mount unit. Remove outer and inner control panel covers.

1. Mount the 910-1970 relay assembly in the control panel as shown in Figure 1 (page 2) and Figure 2 (page 3).

2. Route the wires in the cable duct. Connect the 4-pin male plug to the female plug on the top of the low voltage terminal box. For air conditioner units, connect the pink wire to the ALR terminal on the compressor control module. For heat pump units, connect the pink wire to the L terminal on the defrost control board. Refer to Figure 3 on page 4 or the unit wiring diagram for proper wire connection locations.
3. Make the desired dry contact connections on the front of the low voltage terminal strip. (Normally Closed = 1 & 3, or Normally Open = 2 & 3). See Figure 3 or the unit wiring diagram.
4. Apply "This unit is equipped with CMC-34 control module" label to the inside of the inner control panel cover above the unit wiring diagram.
5. Replace the inner and outer control panel covers. This completes the installation.

### Sequence of Operation

When installed, the alarm relay will indicate one of the following has occurred:

- High refrigerant pressure lockout
- Low refrigerant pressure lockout
- Unit power brownout lockout

During any of the listed events, an alarm can be signaled to a thermostat or controlling device. The unit will remain in a lockout mode until the call for cooling is removed (Y1, Y2) or power is reset to the unit.

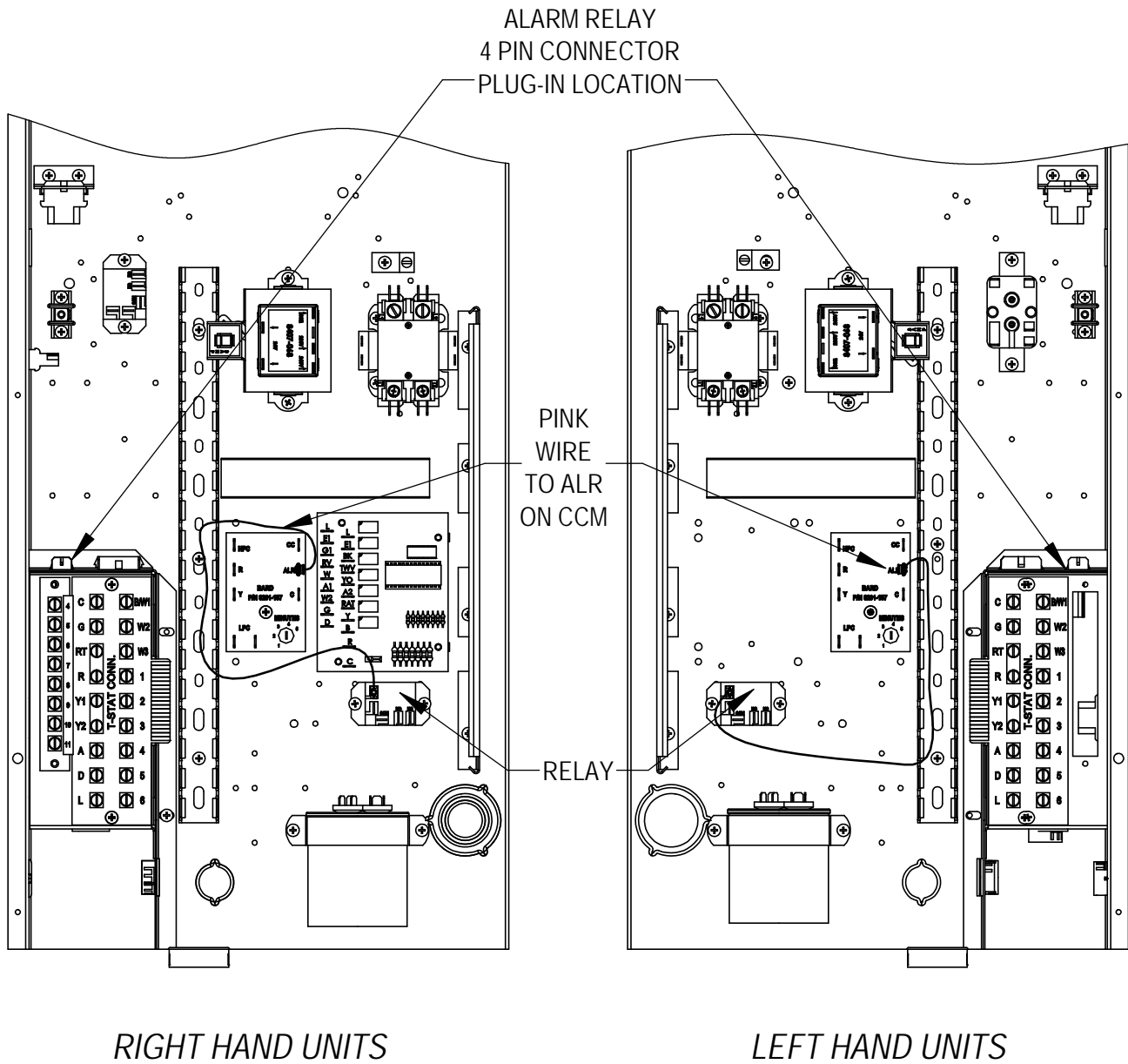


Bard Manufacturing Company, Inc.  
Bryan, Ohio 43506  
www.bardhvac.com

Manual: 7960-850C  
Supersedes: 7960-850B  
Date: 3-30-22

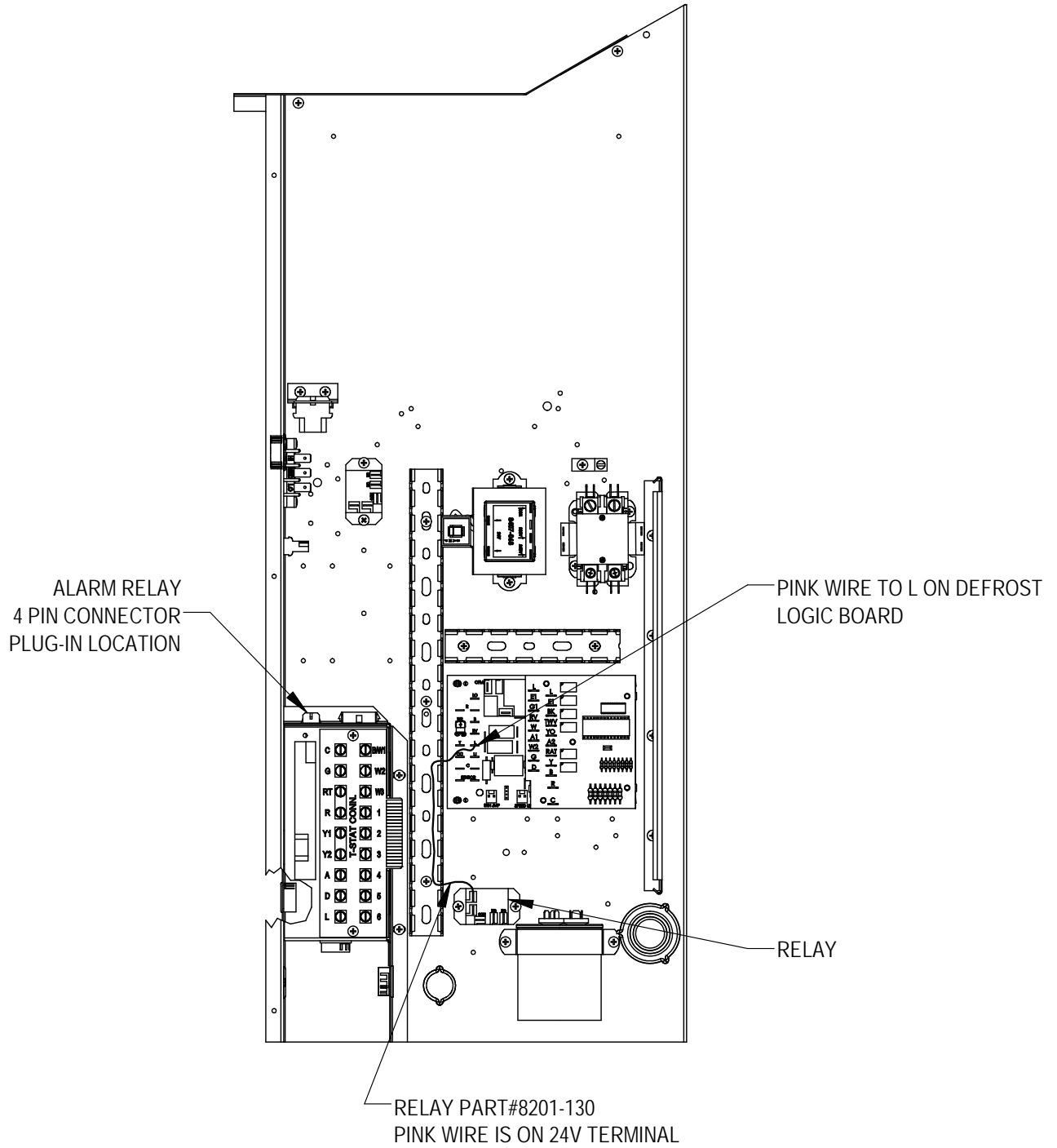
Climate Control Solutions

**FIGURE 1**  
**Air Conditioner Units (W\*\*AB) With or Without Dehumidification**



MIS-4059 B

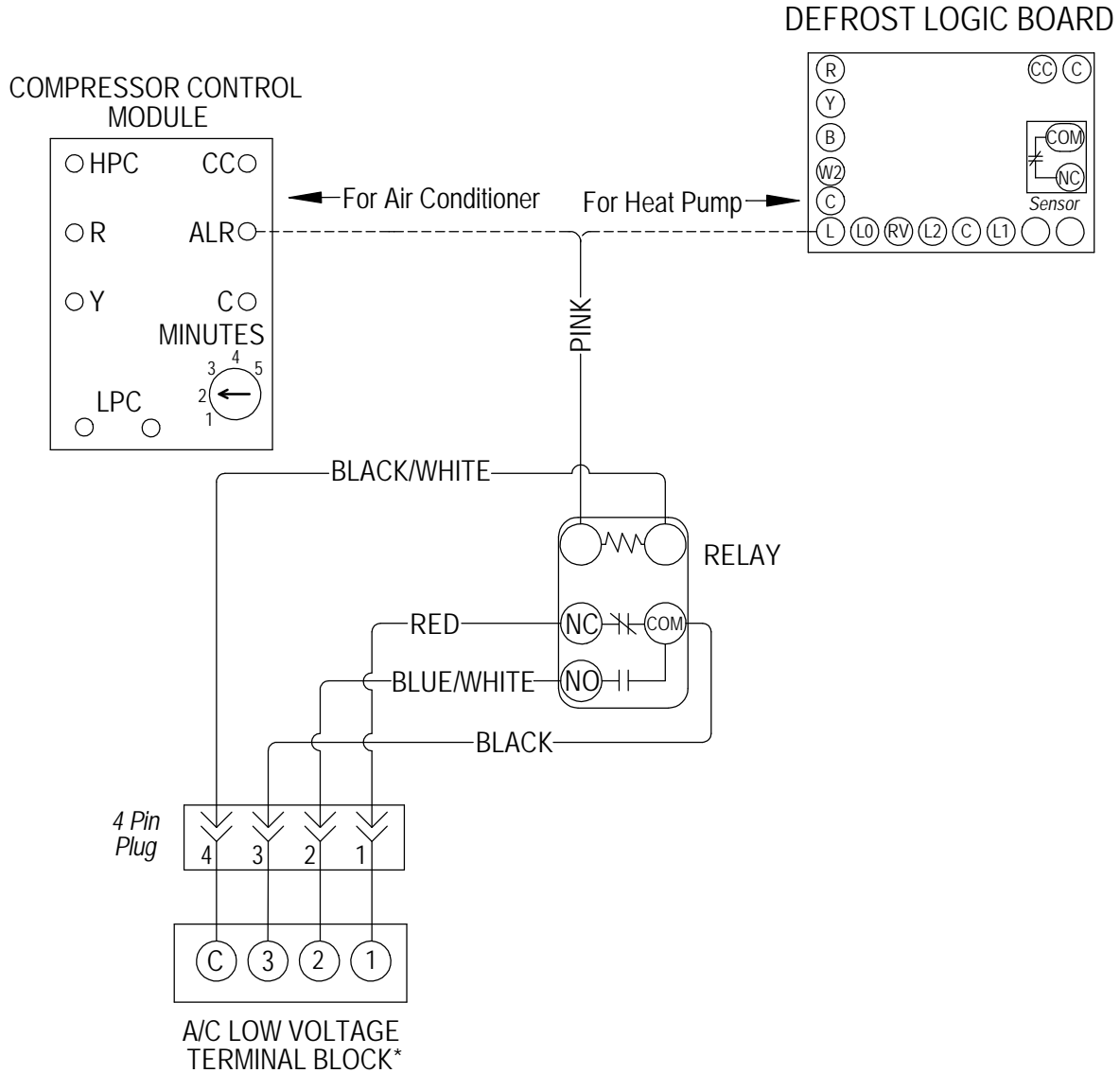
**FIGURE 2**  
**Heat Pump Units (W\*\*HB)**



MIS-4241

**FIGURE 3**  
**Air Conditioner Units (W\*\*AB)**

**ALARM RELAY WIRING DIAGRAM**



MIS-4060C

\* CONNECT THERMOSTAT OR CONTROLLING DEVICE TO LOW VOLTAGE TERMINAL BLOCK