
SUPPLEMENTAL INSTRUCTIONS

CMA-43 Outdoor Thermostat Kit (A/C)

The CMA-43 is a field-installable outdoor thermostat suitable for use as a compressor cutoff thermostat. This thermostat stops the compressor operation below the selected temperature (°F). The thermostat is adjustable from 0°F to 50°F. Default setting is 10°F.

The CMA-43 kit is for use with Bard models W42AC, W48AC, W60AC and W72AC air conditioners.

The CMA-43 kit consists of:

- 7960-858 Supplemental Instructions
- 910-2110 Outdoor Thermostat
- 7950-020 Vinyl Covered Clamp (2)
- 1012-065 Phillips Head Screws (2)
- 1012-085 Hex Head Screws (3)
- 7961-312-0515 CMA-43 Unit I.D. Label

Field-supplied tools needed:

- Appropriate personal protection equipment, including gloves and safety glasses
- 5/16" nut driver
- Phillips head screwdriver
- Small flat head screwdriver for securing wire in terminal blocks
- Multimeter for troubleshooting

WARNING

Electrical shock hazard.

Disconnect the remote electric power supply or supplies before servicing.

Failure to do so can result in serious injury or death.

WARNING

Exposed moving parts.

Disconnect all electrical power before servicing.

Failure to do so can result in severe injury or amputation.

CAUTION

Sharp metallic edges.

Take care and wear appropriate protective devices to avoid accidental contact with sharp edges.

Failure to do so can result in personal injury.



Climate Control Solutions

Bard Manufacturing Company, Inc.
Bryan, Ohio 43506
www.bardhvac.com

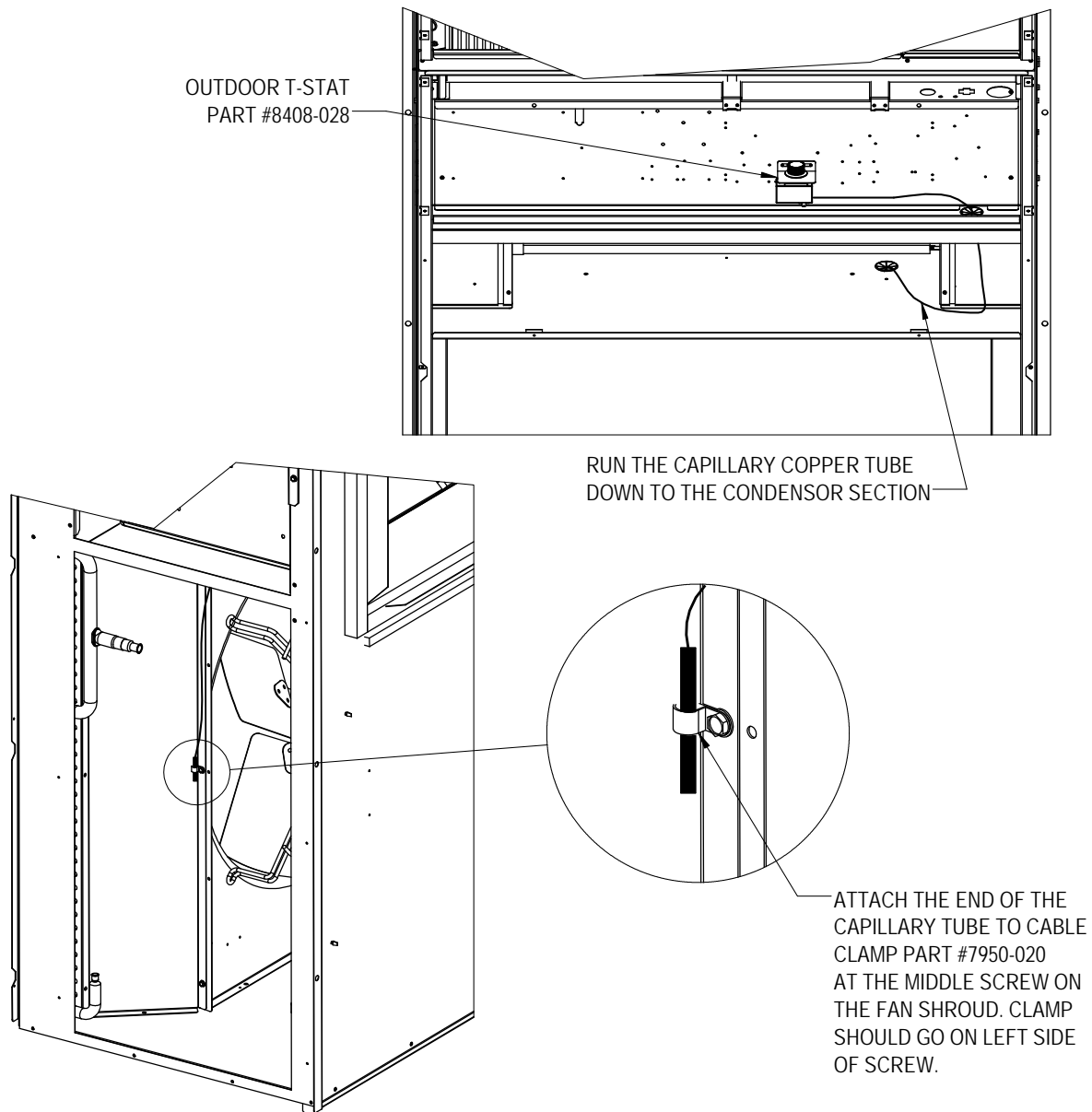
Manual: 7960-858
Supersedes: **NEW**
Date: 9-24-19

Installation

Disconnect all power to wall-mount unit. Remove control panel outer and inner covers, right side condenser inlet grille and front service access panel.

1. Mount outdoor thermostat 910-2110 in the control panel with screws provided as shown in Figure 1.
2. Route wires through the wire channel in the control panel to the compressor control module and the compressor contactor as shown in Figure 2.
3. Route thermostat bulb through bushing in condenser partition and mount to the fan shroud with the clamp and screw provided as shown in Figure 1.
4. Recheck wiring. Refer to Figure 2 and the unit wiring diagram. Set thermostat to the desired cutout temperature for the compressor. 0° or above is recommended.
5. Attach "CMA-43" label to the inner control panel cover above the unit wiring diagrams.
6. Replace all panels and covers. This completes the installation.

FIGURE 1



MIS-4112

FIGURE 2

