



Q/Tec™ QA-Series Air Conditioners

The Q/Tec™ series self contained packaged air conditioner is designed to be installed inside a building structure against an exterior exposed wall. Q/Tec's™ design provides "whisper" quiet operation with total comfort for the occupants at efficiency levels up to 24% above the federal standard. This design eliminates the need for roof-mounted equipment and outside condensing units and can meet your specific architectural requirements.

Q/Tec's™ "quiet technology" provides extremely low sound levels (both indoor and outdoor) by using special components and materials in the construction of the unit. By using special motors, sound insulation and other sound absorbing features, we have built an air conditioner system that is significantly quieter than competitive product available today.

Q/Tec™ is suitable for both new construction and renovation projects for schools, modular buildings and light commercial buildings. A variety of ventilation and dehumidification options are designed to address your project's indoor air quality and dehumidification requirements.

The Q/Tec™ Series unique design allows all maintenance and service to be performed inside the building to facilitate multi-story installations. Access to air filters and controls is accomplished through a hinged front panel for easy accessibility. All Q/Tec™ Series models are built on heavy duty permanent rollers for easy installation and removal from the wall sleeve for additional service access.

Q/Tec's™ durable, easy to clean cabinet is aesthetically pleasing and comes standard with side and bottom trim pieces. Two types of cabinet finish are available: a durable two tone (slate and platinum) vinyl covered steel, or gray pre-painted steel.



Product Features

Scroll Compressor

The Copeland scroll compressor has been designed for increased efficiency, quieter operation with reduced shutdown noise and improved reliability for longer life. Eliminates need for crankcase heater and suction line accumulator.

Phase Rotation Monitor

Standard on all 3 phase scroll compressors. Protects against reverse rotation if power supply is not properly connected.

Indoor Blower Motor

All models feature a variable speed (ECM) motor providing super high efficiency, low sound levels and soft start capabilities. The motor is self-adjusting to provide the proper airflow rate at high static pressure for ducted installations without user adjustment or wiring changes. Optional dehumidification circuit (hot gas reheat) provides improved dehumidification when used with humidistat.

Outdoor Fan Motor

The PSC outdoor fan motor has double oil capacity sleeve bearings and is totally enclosed for extended life.

Copper Tube/Aluminum Fin Coils

Grooved copper tubing and enhanced aluminum fins provide maximum heat transfer and high energy efficiency. Evaporator coil constructed with hydrophilic fin stock that seals fin surface against aluminum oxide formation, is resistant to mold and mildew growth (tested to ASTM D3273, no growth), and reduces beading of condensate on the fin surface. Optional phenolic coated coils are available.

Cabinet

Constructed of 20 gauge pre-painted or vinyl laminated galvanized steel. Choice of either two tone vinyl finish with "slate" front panels and "platinum" cabinet for designer appearance, or gray painted steel. Vinyl finish is very resistant to scratching and marring and is very easy to clean. Tamper resistant fasteners are provided for access panels. Unit includes built-in rollers for easy installation into wall sleeve and removal for service if necessary. Hinged, lockable front panel for filter service and access to primary functional electrical controls.

Insulation

Cabinet is fully insulated with foil covered, high density fiberglass insulation with sealed edge treatment and special sound deadening insulation material in the compressor section. All insulation is designed to resist mold and mildew growth and facilitate ease of cleaning.

Electrical Components

Are easily accessible for routine inspection and maintenance through front service panels. Circuit breaker standard on all 208/230V models and rotary disconnect standard on all 460V models. Circuit breaker/rotary disconnect access is through lockable access panel. Lock and key provided as standard equipment.

Electric Heat Strips

Backup electric heat strips feature automatic limit safety controls. Heater packages are factory installed for all models. See Electric Heat Table for available options.

- Complies with efficiency requirements of ANSI/ASHRAE/IESNA 90.1-2004.
- Certified to ANSI/ARI Standard 390-2003 for SPVU (Single Package Vertical Units).
- Commercial Product - Not intended for Residential application.

Hot Water Coil

A plenum mounted hot water coil is available for both free-blow and ducted applications.

Air Filters

One-inch disposable panel type air filters are standard. Optional two-inch pleated and two-inch fiberglass disposable air filters are available. Optional Energy Recovery Ventilator has a separate filter for exhaust air to keep ERV clean.

Refrigerant Service Ports

Located in filter compartment for easy access.

Liquid Filter Dryer

Standard on all models.

High Pressure Switch

Provides refrigerant circuit high pressure protection. Includes lockout circuit that is resettable from room thermostat.

Compressor Control Module

Provides short cycle protection for the compressor, which extends compressor life.

Ventilation Packages

Barometric fresh air damper standard on all units and allows up to 25% outside fresh air. Optional energy recovery ventilator can provide up to 450 cfm of outside air and exhaust through the unit while maintaining indoor comfort and humidity levels. Economizer, commercial room ventilator and blank-off plate are also available.

Diagnostic Light

System service - indicates high or low pressure switch operation for compressor protection. Located inside control panel.

Stainless Steel Drain Pans

Provides extended life of the evaporator and condenser drain pans for maximum corrosion resistance.

Side Trim Piece Extension

Provides cabinet extension between interior wall and unit when wall thickness is between 12 inches to 14 inches. Standard feature shipped with all models. Optional trim kits for thinner walls available.

Wall Sleeve

Constructed of 16 gauge galvanized steel, coated with epoxy primer and a baked on polyester enamel paint, which allows it to withstand 1000 hours of salt spray tests per ASTM B117-03. Required for all models. Ordered separately.



Capacity and Efficiency Ratings

MODELS	QA241	QA301	QA361	QA421	QA481	QA601
Cooling Capacity BTUH ①	24,000	30,000	35,200	40,000	46,000	53,000
EER ②	10.90	10.40	9.20	9.00	9.50	9.00

① Capacity is certified in accordance with ANSI/ARI Standard 390-2003.

② EER = Energy Efficiency Ratio and is certified in accordance with ANSI/ARI Standard 390-2003.

All ratings based on fresh air intake being 100% closed (no outside air introduction).

Specifications - 2, 2½ and 3 Ton

MODELS	QA241-A	QA241-B	QA241-C	QA301-A	QA301-B	QA301-C	QA361-A	QA361-B	QA361-C
ELECTRICAL RATING--60 HZ	230/208 - 1	230/208 - 3	460 - 3	230/208 - 1	230/208 - 3	460 - 3	230/208 - 1	230/208 - 3	460 - 3
Operating Voltage Range	197-253		414-506	197-253		414-506	197-253		414-506
COMPRESSOR-- CIRCUIT A									
Voltage	230/208		460	230/208		460	230/208		460
Rated Load Amps	8.2/8.9	5.7/6.2	3.1	11.3/12.5	7.3/8.1	4.1	14.4/16.3	10.1/10.9	5.2
Branch Circuit Selection Current	10.9	7.1	3.6	14.1	9	4.5	16.3	10.9	5.2
Lock Rotor Amps	56/56	45/45	22.4	72.5/72.5	63/63	31	88/88	77/77	39
FAN MOTOR & CONDENSER									
Fan Motor--HP-RPM-SPD	1/5 - 1075 - 1			1/5 - 1075 - 1			1/5 - 1075 - 1		
Fan Motor-- Volts-Amps	230/208 - 1.6		460 - .8	230/208 - 1.6		460 - .8	230/208 - 1.6		460 - .8
Fan--DIA-CFM	20" - 1600			20" - 1600			20" - 1600		
MOTOR & EVAPORATOR									
Blower Motor HP-SPD	1/2 - Variable			1/2 - Variable			1/2 - Variable		
Blower Motor--Volts-Amps	230/208 - 1.8			230/208 - 2.7			230/208 - 3.7		
CFM Cooling & E.S.P. w/Filter (Rated-Wet Coil)	800 @ .1 ESP			1000 @ .15 ESP			1200 @ .15 ESP		
Filter Sizes (inches) STD.	1 - 16x20x1 + 1 - 16x16x1			1 - 16x20x1 + 1 - 16x16x1			1 - 16x20x1 + 1 - 16x16x1		
SHIPPING WEIGHT--LBS.	500			500			500		

Specifications - 3½, 4 and 5 Ton

MODELS	QA421-A	QA421-B	QA421-C	QA481-A	QA481-B	QA481-C	QA601-A	QA601-B	QA601-C
ELECTRICAL RATING--60 HZ	230/208 - 1	230/208 - 3	460 - 3	230/208 - 1	230/208 - 3	460 - 3	230/208 - 1	230/208 - 3	460 - 3
Operating Voltage Range	197-253		414-506	197-253		414-506	197-253		414 - 506
COMPRESSOR-- CIRCUIT A									
Voltage	230/208		460	230/208		460	230/208		460
Rated Load Amps	18.9/21.1	12.4/13.7	7.0	19.1/21.4	12.6/14.1	6.5	25.2/27.5	16.5/17.8	8.0
Branch Circuit Selection Current	21.1	13.7	7.0	21.4	14.1	6.5	28.9	17.8	9.0
Lock Rotor Amps	109/109	88/88	44	137/137	91/91	46	148/148	123/123	62
FAN MOTOR & CONDENSER									
Fan Motor--HP-RPM-SPD	1/5 - 1075 - 1			1/3 - 1100 - 1			1/3 - 1100 - 1		
Fan Motor--Volts-Amps	230/208 - 1.6		460 - .8	230/208 - 1.9		460 - 1.0	230/208 - 1.9		460 - 1.0
Fan--DIA-CFM	20" - 1600			20" - 1750			20" - 1750		
MOTOR & EVAPORATOR									
Blower Motor HP-SPD	1/2 - Variable			1/2 - Variable			3/4 - Variable		
Blower Motor--Volts-Amps	230/208 - 3.7			230/208 - 3.7			230/208 - 4.9		
CFM Cooling & E.S.P. w/Filter (Rated-Wet Coil)	1200 @ .15 ESP			1400 @ .2 ESP			1550 @ .2 ESP		
Filter Sizes (inches) STD.	1 - 16x20x1 + 1 - 16x16x1			1 - 16x25x1 + 1 - 16x16x1			1 - 16x25x1 + 1 - 16x16x1		
SHIPPING WEIGHT--LBS.	530			560			560		

Factory Built-in Electric Heat Table

Nominal Kw	At 240V (1)				At 208V (1)				At 480V (2)			At 460V (2)		
	Kw	1-Ph Amps	3-Ph Amps	Btuh	Kw	1-Ph Amps	3-Ph Amps	Btuh	Kw	3-Ph Amps	Btuh	Kw	3-Ph Amps	Btuh
5.0	5.0	20.8		17,065	3.75	18.0		12,799						
6.0	6.0		14.4	20,478	4.50		12.5	15,359	6.0	7.2	20,478	5.52	6.9	18,840
9.0	9.0		21.7	30,717	6.75		18.7	23,038	9.0	10.8	30,717	8.28	10.4	28,260
10.0	10.0	41.7		34,130	7.50	36.1		25,598						
12.0	12.0		28.9	40,956	9.00		25.0	30,717	12.0	14.4	40,956	11.04	13.9	37,680
15.0	15.0	62.5	36.1	51,195	11.25	54.1	31.2	38,396	15.0	18.0	51,195	13.80	17.3	47,099

(1) These electric heaters are available in 230/208V units only.

(2) These electric heaters are available in 480V units only.

Electrical Specifications

Model	Rated Volts and Phase	Single Circuit					Dual Circuit							
		No. Field Power Circuits	① Minimum Circuit Ampacity	① Maximum External Fuse or Ckt. Brkr.	② Field Power Wire Size	② Ground Wire	③ Minimum Circuit Ampacity		① Maximum External Fuse or Ckt. Breaker		② Field Power Wire Size		② Ground Wire Size	
							Ckt. A	Ckt. B	Ckt. A	Ckt. B	Ckt. A	Ckt. B	Ckt. A	Ckt. B
QA241-A0Z	230/208-1	1	20	30	10	10	-	-	-	-	-	-	-	-
A05		1	30	30	10	10	-	-	-	-	-	-	-	-
A10		1	55	60	6	10	-	-	-	-	-	-	-	-
QA241-B0Z	230/208-3	1	15	20	12	12	-	-	-	-	-	-	-	-
B06		1	24	25	10	10	-	-	-	-	-	-	-	-
B09		1	33	35	8	10	-	-	-	-	-	-	-	-
QA241-C0Z	460-3	1	8	15	14	14	-	-	-	-	-	-	-	-
C06		1	12	15	14	14	-	-	-	-	-	-	-	-
C09		1	17	20	12	12	-	-	-	-	-	-	-	-
QA301-A0Z	230/208-1	1	25	35	8	10	-	-	-	-	-	-	-	-
A05		1	32	35	8	10	-	-	-	-	-	-	-	-
A10		1	57	60	6	10	-	-	-	-	-	-	-	-
QA301-B0Z	230/208-3	1	18	25	10	10	-	-	-	-	-	-	-	-
B06		1	25	25	10	10	-	-	-	-	-	-	-	-
B09		1	34	35	8	10	-	-	-	-	-	-	-	-
B12		1	43	45	6	10	-	-	-	-	-	-	-	-
QA301-C0Z	460-3	1	10	15	14	14	-	-	-	-	-	-	-	-
C06		1	14	15	14	14	-	-	-	-	-	-	-	-
C09		1	18	20	12	12	-	-	-	-	-	-	-	-
C12		1	23	25	10	10	-	-	-	-	-	-	-	-
QA361-A0Z	230/208-1	1	28	35	8	10	-	-	-	-	-	-	-	-
A05		1	33	35	8	10	-	-	-	-	-	-	-	-
A10		1	58	60	6	8	-	-	-	-	-	-	-	-
A15		1 or 2	83	90	4	8	58	25	60	25	6	10	10	10
QA361-B0Z	230/208-3	1	21	30	10	10	-	-	-	-	-	-	-	-
B06		1	26	30	10	10	-	-	-	-	-	-	-	-
B09		1	35	35	8	10	-	-	-	-	-	-	-	-
B15		1	53	60	6	10	-	-	-	-	-	-	-	-
QA361-C0Z	460-3	1	11	15	14	14	-	-	-	-	-	-	-	-
C06		1	14	15	14	14	-	-	-	-	-	-	-	-
C09		1	18	20	12	12	-	-	-	-	-	-	-	-
C15		1	27	30	10	10	-	-	-	-	-	-	-	-
QA421-A0Z	230/208-1	1	33	50	8	10	-	-	-	-	-	-	-	-
A05		1	33	50	8	10	-	-	-	-	-	-	-	-
A10		1	58	60	6	8	-	-	-	-	-	-	-	-
A15		1 or 2	83	90	4	8	58	25	60	25	6	10	10	10
QA421-B0Z	230/208-3	1	25	35	8	10	-	-	-	-	-	-	-	-
B06		1	26	35	8	10	-	-	-	-	-	-	-	-
B09		1	35	35	8	10	-	-	-	-	-	-	-	-
B15		1	53	60	6	10	-	-	-	-	-	-	-	-
QA421-C0Z	460-3	1	13	15	14	14	-	-	-	-	-	-	-	-
C06		1	14	15	14	14	-	-	-	-	-	-	-	-
C09		1	18	20	12	12	-	-	-	-	-	-	-	-
C15		1	27	30	10	10	-	-	-	-	-	-	-	-
QA481-A0Z	230/208-1	1	35	50	8	10	-	-	-	-	-	-	-	-
A05		1	35	50	8	10	-	-	-	-	-	-	-	-
A10		1	58	60	6	10	-	-	-	-	-	-	-	-
A15		1 or 2	83	90	4	8	58	25	60	25	8	10	10	10
QA481-B0Z	230/208-3	1	26	35	8	10	-	-	-	-	-	-	-	-
B06		1	26	35	8	10	-	-	-	-	-	-	-	-
B09		1	35	40	8	10	-	-	-	-	-	-	-	-
B15		1	53	60	6	10	-	-	-	-	-	-	-	-
QA481-C0Z	460-3	1	13	15	12	12	-	-	-	-	-	-	-	-
C06		1	14	15	12	12	-	-	-	-	-	-	-	-
C09		1	18	20	12	12	-	-	-	-	-	-	-	-
C15		1	27	30	10	10	-	-	-	-	-	-	-	-
QA601-A0Z	230/208-1	1	46	60	8	10	-	-	-	-	-	-	-	-
A10		1	59	60	6	10	-	-	-	-	-	-	-	-
A15		1 or 2	84	90	4	8	59	25	60	25	8	10	10	10
QA601-B0Z	230/208-3	1	32	45	8	10	-	-	-	-	-	-	-	-
B09		1	36	45	8	10	-	-	-	-	-	-	-	-
B15		1	55	60	6	10	-	-	-	-	-	-	-	-
QA601-C0Z	460-3	1	17	20	12	12	-	-	-	-	-	-	-	-
C09		1	19	20	12	12	-	-	-	-	-	-	-	-
C15		1	28	30	10	10	-	-	-	-	-	-	-	-

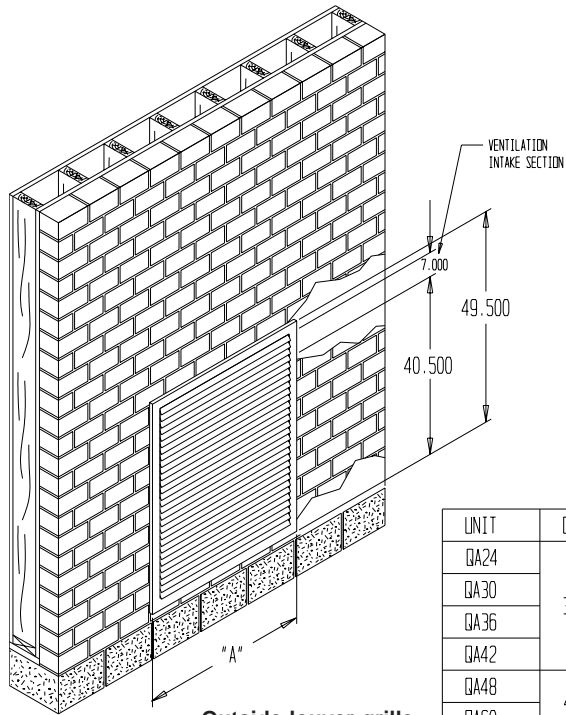
① Maximum size of the time delay fuse or HACR type circuit breaker for protection of field wiring conductors.

② Based on 75°C copper wire. All wiring must conform to the National Electrical Code and all local codes.

③ These "Minimum Circuit Ampacity" values are to be used for sizing the field power conductors. Refer to the National Electric Code (latest revision), article 310 for power conductor sizing.

CAUTION: When more than one field power conductor circuit is run through one conduit, the conductors must be derated. Pay special attention to note 8 of table 310 regarding Ampacity Adjustment Factors when more than three conductors are in a raceway.

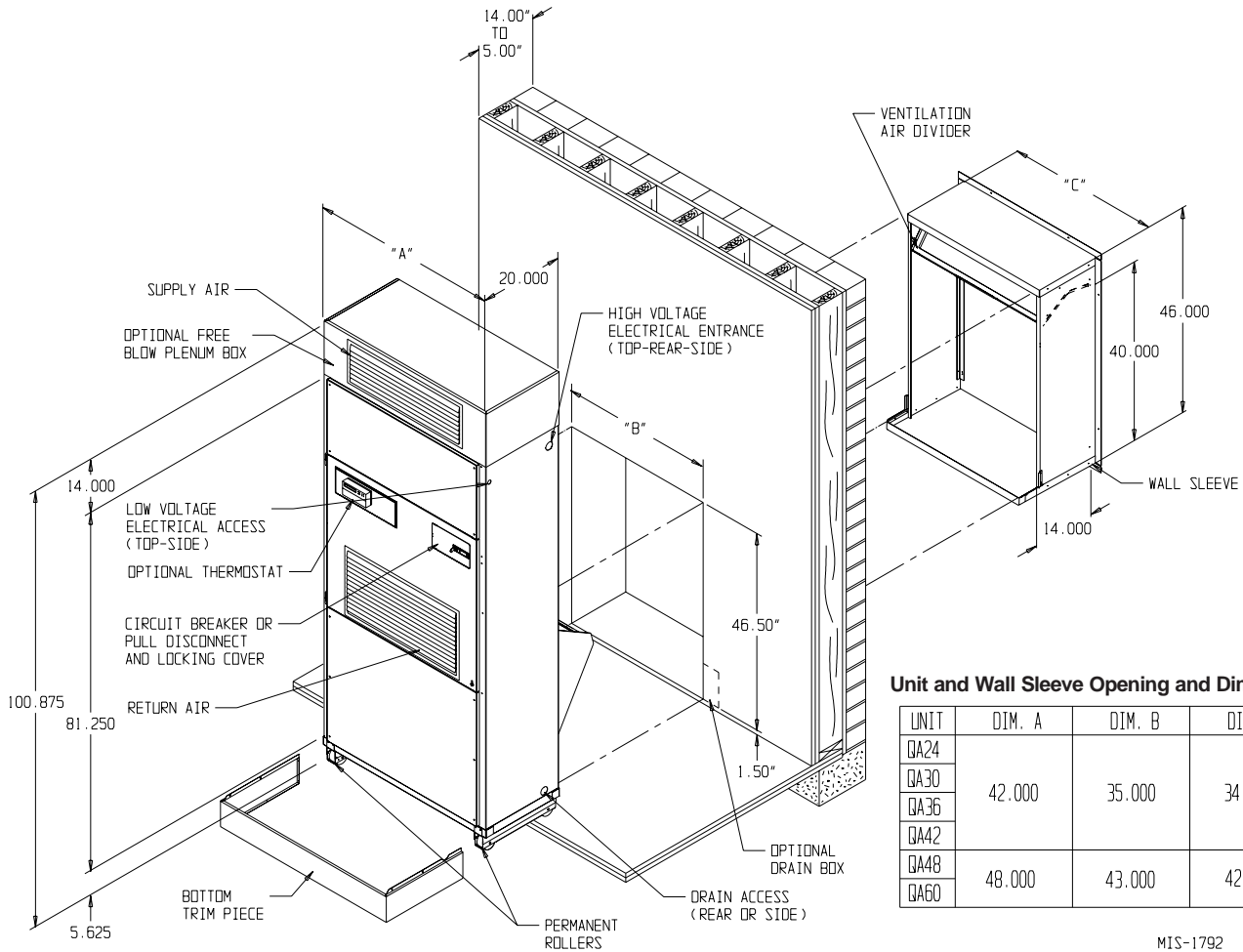
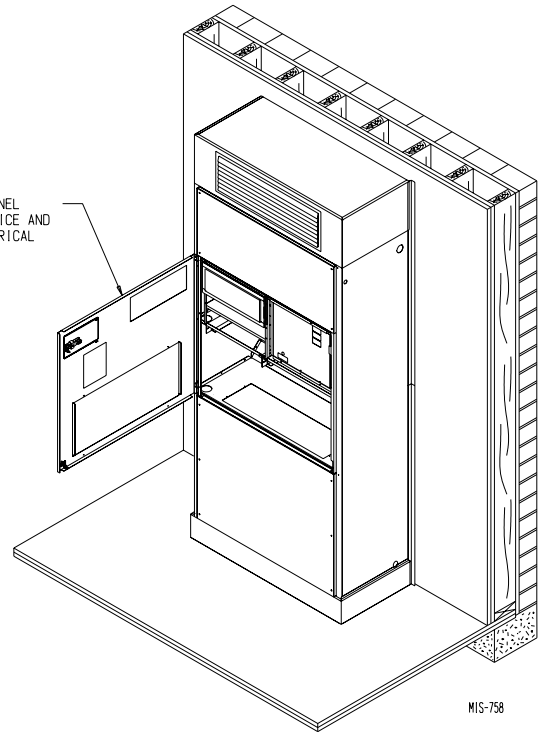
Installation Overview



UNIT	DIM. A
QA24	37.500
QA30	
QA36	
QA42	
QA48	45.500
QA60	

MIS-1791

HINGED FRONT PANEL FOR FILTER SERVICE AND ACCESS TO ELECTRICAL CONTROLS.

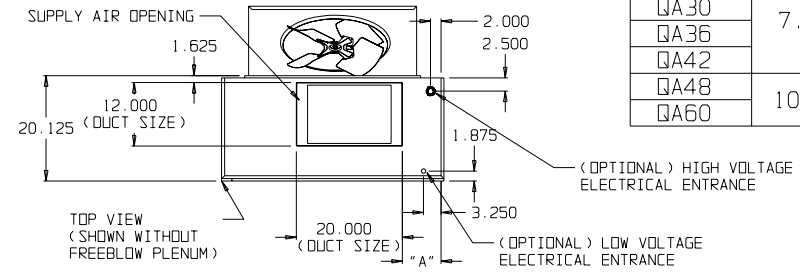


UNIT	DIM. A	DIM. B	DIM. C
QA24	42.000	35.000	34.000
QA30			
QA36			
QA42			
QA48	48.000	43.000	42.000
QA60			

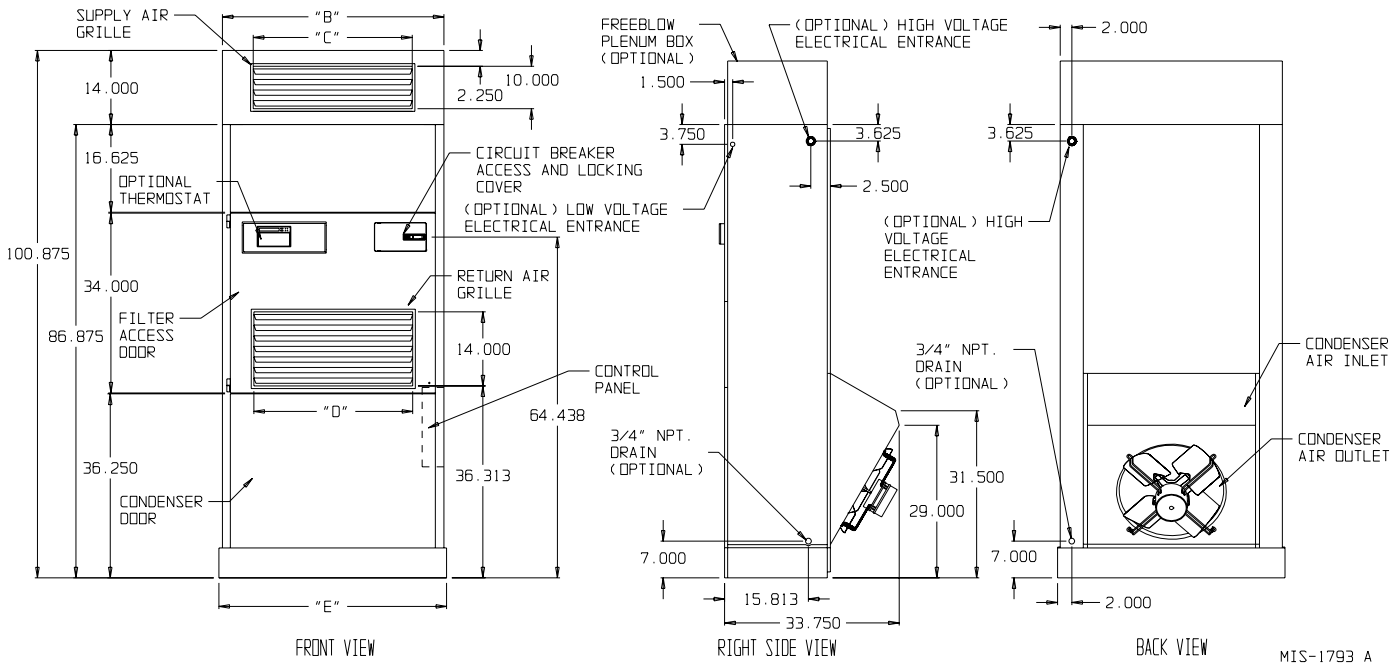
MIS-1792

Dimensions of Basic Unit for Architectural and Installation Requirements (Nominal)

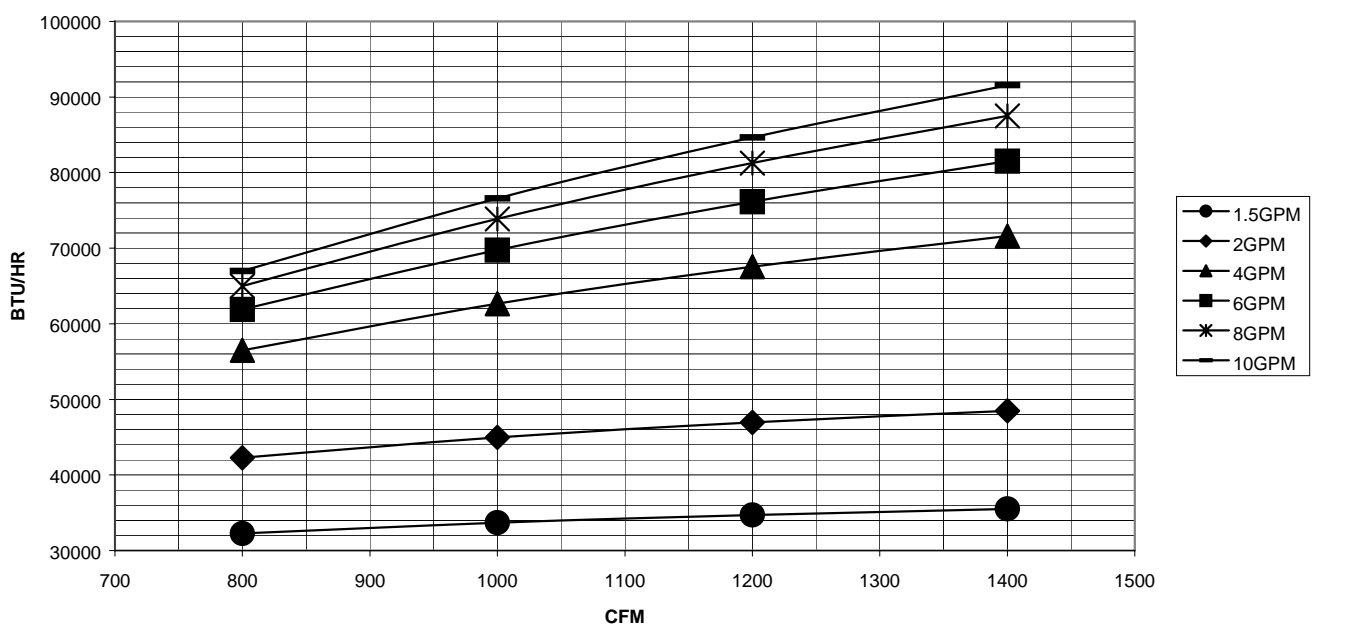
DIMENSION CHART					
UNIT	DIM. A	DIM. B	DIM. C	DIM. D	DIM. E
QA24	7.625	42.000	30.000	30.000	43.000
QA30					
QA36					
QA48					
QA60					



Drawings are not to scale



Optional Hot Water Coil Performance - Heating Capacity @ 180°F Water and 70°F Return Air



Cooling Application Data - Outdoor Temperature °F ①

Model	D.B./ W.B.②	COOLING CAPACITY	75°	80°	85°	90°	95°	100°	105°	110°	115°
QA241	75/	Total Cooling	25,100	23,900	22,700	21,800	20,900	20,300	19,700	19,300	19,000
	62	Sensible Cooling	18,200	17,600	17,100	16,600	16,300	16,000	15,600	15,300	15,100
	80/	Total Cooling	26,800	26,000	25,200	24,600	24,000	23,600	23,200	23,000	22,800
	67	Sensible Cooling	17,600	17,200	16,900	16,600	16,400	16,200	16,000	15,800	15,700
	85/	Total Cooling	32,000	30,400	29,000	27,800	26,700	25,800	25,000	24,500	24,000
	72	Sensible Cooling	18,100	17,500	17,000	16,500	16,100	15,700	15,300	14,800	14,500
QA301	75/	Total Cooling	31,300	29,800	28,400	27,300	26,100	25,300	24,500	23,800	23,400
	62	Sensible Cooling	22,900	22,400	21,900	21,400	21,000	20,700	20,200	19,900	19,500
	80/	Total Cooling	33,400	32,400	31,500	30,800	30,000	29,400	28,900	28,400	28,100
	67	Sensible Cooling	22,200	21,900	21,700	21,400	21,200	21,000	20,700	20,500	20,300
	85/	Total Cooling	39,800	37,900	36,200	34,800	33,400	32,200	31,200	30,200	29,600
	72	Sensible Cooling	22,800	22,300	21,800	21,300	20,800	20,300	19,800	19,200	18,700
QA361	75/	Total Cooling	37,700	35,700	33,900	32,200	30,700	29,400	28,100	27,000	26,000
	62	Sensible Cooling	27,800	27,000	26,200	25,400	24,700	23,900	23,100	22,400	21,700
	80/	Total Cooling	40,200	38,900	37,600	36,400	35,200	34,200	33,100	32,200	31,300
	67	Sensible Cooling	26,900	26,400	25,900	25,400	24,900	24,300	23,700	23,100	22,500
	85/	Total Cooling	47,900	45,500	43,200	41,100	39,100	37,400	35,700	34,300	32,900
	72	Sensible Cooling	27,600	26,800	26,000	25,300	24,500	23,500	22,600	21,700	20,800
QA421	75/	Total Cooling	43,000	40,600	38,400	36,600	34,800	33,500	32,300	31,400	30,700
	62	Sensible Cooling	30,600	29,500	28,600	27,600	26,900	26,200	25,600	25,000	24,500
	80/	Total Cooling	45,900	44,200	42,600	41,300	40,000	39,000	38,100	37,400	36,900
	67	Sensible Cooling	29,700	28,900	28,300	27,600	27,100	26,600	26,200	25,800	25,500
	85/	Total Cooling	54,700	51,700	48,900	46,600	44,500	42,700	41,100	39,800	38,800
	72	Sensible Cooling	30,400	29,400	28,500	27,400	26,600	25,800	25,000	24,200	23,500
QA481	75/	Total Cooling	49,400	46,600	44,100	42,000	40,100	38,500	37,100	36,000	35,000
	62	Sensible Cooling	33,900	33,300	32,500	31,800	31,100	30,400	29,700	28,900	28,200
	80/	Total Cooling	52,700	50,800	49,000	47,500	46,000	44,800	43,800	42,900	42,100
	67	Sensible Cooling	32,900	32,600	32,200	31,800	31,400	30,900	30,400	29,800	29,300
	85/	Total Cooling	62,800	59,400	56,300	53,600	51,100	49,000	47,200	45,700	44,300
	72	Sensible Cooling	33,700	33,100	32,400	31,600	30,800	29,900	29,000	28,000	27,000
QA601	75/	Total Cooling	55,100	52,500	50,200	48,100	46,200	44,600	43,100	41,900	40,900
	62	Sensible Cooling	35,800	35,600	35,500	35,100	34,800	34,400	33,900	33,400	32,800
	80/	Total Cooling	58,800	57,200	55,700	54,300	53,000	51,900	50,900	50,000	49,200
	67	Sensible Cooling	34,700	34,900	35,100	35,100	35,100	35,000	34,800	34,500	34,100
	85/	Total Cooling	70,100	66,900	64,000	61,300	58,900	56,800	54,900	53,200	51,700
	72	Sensible Cooling	35,600	35,400	35,300	34,900	34,400	33,900	33,200	32,400	31,400

① Below 65°F, unit requires a factory or field installed low ambient control.

② Return air temp. °F.

Indoor Blower Performance

Model	Rated ESP.	Max. ESP ①	Rated CFM ②	Optional CFM ③	Continuous CFM ④	Dehumidification CFM ⑤	CFM @ Max ESP
QA24 ⑥	0.10	0.5	800	N/A	800	500	700
QA30	0.15	0.8	1000	N/A	1000	700	910
QA36	0.15	0.8	1200	1000	1000	850	1175
QA42	0.15	0.8	1200	1000	1000	850	1175
QA48	0.20	0.8	1400	1100	1100	850	1175
QA60	0.20	0.8	1550	1250	1250	1250	1400

Note: These units are equipped with a variable speed (ECM) indoor motor that automatically adjusts itself to maintain approximately the same rate of indoor airflow in both heating and cooling, dry and wet coil conditions and at both 230/208 or 460 volts.

① Max. ESP (inches WC) shown is with 1" thick disposable filter (reduced by .2 for 2" filter)

② Rated CFM (based on ducted application) for heating and cooling operation. To obtain full rated CFM on models QA36, QA42, QA48, and QA60, refer to installation instruction supplied with unit.

③ Reduced indoor airflow option to provide lowest possible indoor air sound level. Reduces system capacity performance by approximately 2%.

④ Continuous fan CFM is the total air being circulated during continuous fan mode.

⑤ Indoor airflow during periods of high humidity when system is operating under control of optional humidistat for maximum humidity reduction.

⑥ Model QA24 -- when operating on 2nd stage heating the indoor air will increase to 1000 cfm.

Ventilation System Packages

Q-Tec models are designed to provide optional ventilation packages to meet all of your ventilation and indoor air quality requirements. All units are equipped with a barometric fresh air damper as the standard ventilation package. All ventilation packages are factory installed.

BAROMETRIC FRESH AIR DAMPER

STANDARD

The barometric fresh air damper is a standard feature on all models. It allows outside ventilation air, up to 25% of the total airflow rating of the unit, to be introduced through the air inlet openings and to be mixed with the conditioned air. The damper opens during blower operation and closes when the blower is off. Adjustable blade stops allow different amounts of outside air to be introduced into the building and can be easily locked closed if required.

BLANK OFF PLATE

OPTIONAL

A blank off plate covers the air inlet openings which restricts any outside air from entering the unit. The blank off plate should be utilized in applications where outside air is not required to be mixed with the conditioned air.

NOTE: The above vent systems are intake only without built-in exhaust capability. Building will likely require separate field installed barometric relief or mechanical exhaust elsewhere within the conditioned space. Balancing dampers in the return air grille may be required to achieve specified amount of outdoor air intake.

COMMERCIAL ROOM VENTILATOR

OPTIONAL

The built-in commercial room ventilator is internally mounted and allows outside ventilation air, up to 50% of the total airflow rating of the unit, to be introduced through the air inlet openings. It includes a built-in exhaust air damper. The commercial room ventilator (CRV) is a simple and innovative approach to improving the indoor air quality by providing fresh air intake and exhaust capability through the CRV. The damper can be easily adjusted to control the amount of fresh air supplied into the building. The CRV can be controlled by indoor blower operation or field controlled based on room occupancy. Complies with ANSI/ASHRAE Standard 62.1 "Ventilation for Acceptable Indoor Air Quality".

Two Models Available: Spring return on power loss or deactivation
Power return (will not close on power loss)

ENERGY RECOVERY VENTILATOR

OPTIONAL

The energy recovery ventilator (ERV) is a highly innovative approach to meeting indoor air quality ventilation requirements as established by ANSI/ASHRAE Standard 62.1. The ERV is internally mounted and allows up to 450 CFM (depending upon speed setting) of fresh air and exhaust through the unit while maintaining superior indoor comfort and humidity levels. In most cases this can be accomplished without increasing equipment sizing or operating costs. Heat transfer efficiency is up to 64% during summer and 79% during winter conditions.

The ERV consists of a unique "rotary energy recovery cassette" that provides effective sensible and latent heat transfer capabilities during summer and winter conditions. Various control schemes are addressed including limiting ventilation during building occupancy only. The ERV has a filter for the exhaust air to keep the rotary wheels clean and free of any debris introduced through the room return air grille. The intake and exhaust rates can be independently selected. Factory set on medium intake and low exhaust.

ECONOMIZER

OPTIONAL

The built-in economizer system is internally mounted behind the service door and allows outdoor air to be introduced through the air inlet openings. The amount of outdoor air varies in response to the system controls and settings defined by the end user. It includes a built-in exhaust air damper. The economizer is designed to provide "free cooling" when outside air conditions are cool and dry enough to satisfy cooling requirements without running the compressor. This in turn provides lower operating costs, while extending the life of the compressor.

Standard Features:

- One Piece Construction - Easy to install with no mechanical linkage adjustment required.
- Exhaust Air Damper - Built in with positive closed position. Provides exhaust air capability to prevent pressurization of tight buildings.
- Actuator Motor - 24 volt, power open, spring return with built in torque limiting switch.
- Proportioning Type Control - for maximum "free cooling" economy and comfort.
- Moisture Eliminator & Prefilter - permanent, washable aluminum construction.
- Enthalpy Control - adjustable to monitor outdoor temperature and humidity.
- Minimum Position Potentiometer - adjustable to control minimum damper blade position for ventilation purposes.
- Mixed Air Sensor - to monitor outside and return air to automatically modulate damper position.

Commercial Room Ventilator Performance Tables

TABLE 1

QH242 VENTILATION MODE CFM				
Damper Position	Free Blow	Static Pressure		
		0.1	0.3	0.5
A	125	120	100	75
B	135	130	115	100
C	165	160	160	140
D	255	255	235	195
E	375	320	290	265

TABLE 2

QH242 COOLING & HEATING MODE CFM				
Damper Position	Free Blow	Static Pressure		
		0.1	0.3	0.5
A	220	215	200	175
B	245	235	210	185
C	255	260	245	225
D	335	335	330	290
E	385	385	360	320

TABLE 3

QH302 Ventilation Mode CFM QH362 Ventilation Mode CFM QH422 Ventilation Mode CFM QH482 Ventilation Mode CFM				
Damper Position	Free Blow	Static Pressure		
		0.1	0.2	0.3
A	140	135	125	120
B	180	170	160	160
C	220	210	205	195
D	315	315	315	290
E	410	400	385	380

TABLE 4

QH302 COOLING & HEATING MODE CFM QH362 LOW SPEED COOLING & HEATING MODE CFM QH422 LOW SPEED COOLING & HEATING MODE CFM QH482 LOW APEED COOLING & HEATING MODE CFM				
Damper Position	Free Blow	Static Pressure		
		0.1	0.3	0.5
A	235	230	225	220
B	265	250	245	240
C	325	315	300	290
D	400	400	390	380
E	465	460	445	430

TABLE 5

QH362 HIGH SPEED COOLING & HEATING MODE CFM QH422 HIGH SPEED COOLING & HEATING MODE CFM QH482 HIGH SPEED COOLING & HEATING MODE CFM				
Damper Position	Free Blow	Static Pressure		
		0.1	0.3	0.5
A	255	250	250	230
B	285	280	280	280
C	360	360	350	345
D	445	445	445	440
E	500	500	500	490

TABLE 6

QH602 VENTILATION MODE CFM				
Damper Position	Free Blow	Static Pressure		
		0.1	0.3	0.5
A	185	185	180	180
B	215	215	210	200
C	290	290	280	275
D	370	370	365	350
E	465	465	455	445

TABLE 7

QH602 COOLING & HEATING MODE CFM				
Damper Position	Free Blow	Static Pressure		
		0.1	0.3	0.5
A	235	230	230	215
B	265	260	255	255
C	350	350	345	340
D	470	470	455	450
E	580	570	565	560

NOTE: Ventilation airflow will increase up to 50 CFM during backup or emergency heat operation due to increased total airflow.

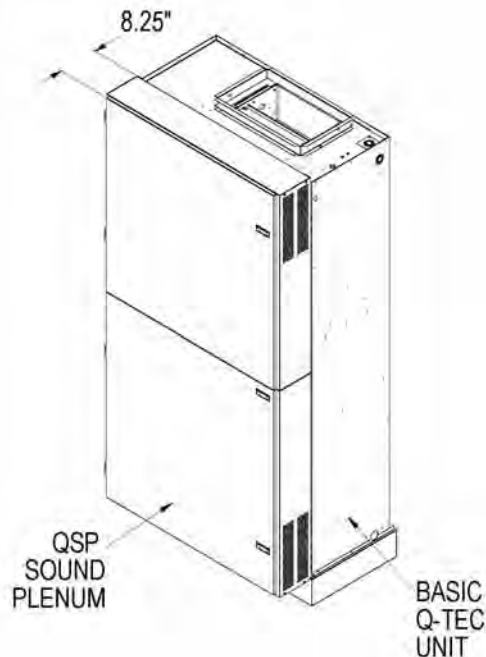
This page intentionally left blank.

QSP-Series Sound Plenum

The QSP3 - QSP5 Series Sound Plenum has been designed for use with ALL Bard Q-Tec Series units, both Generation I and Generation II systems. Installation is quick and easy with removal/replacement of six existing screws from the unit cabinet. Once installed the sound plenum enhances the current quiet operation of the Q-Tec Series units, and the hinged door with cam locks provides easy access to the basic Q-Tec system. Model selection is based on equipment cabinet size and finish.

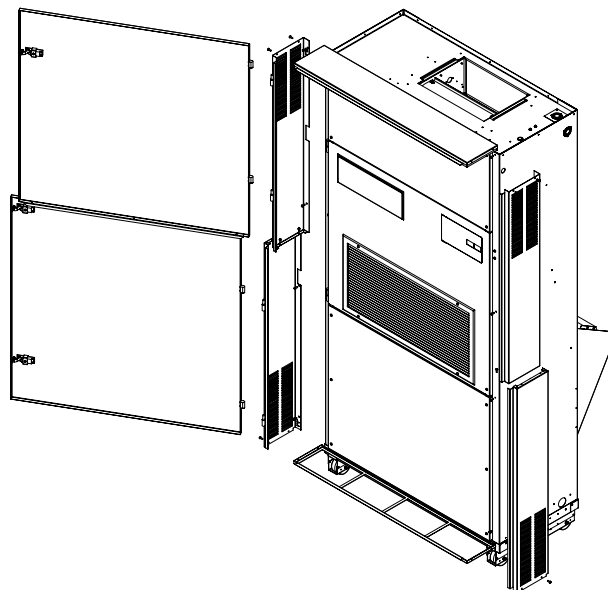
Sound Plenum Pt#	Cabinet Finish	Equipment Selection
QSP3-4	Painted Steel - Gray	QH24-42
QSP3-V	Texture Vinyl ①	QH24-42
QSP5-4	Painted Steel - Gray	QH48-60
QSP5-V	Texture Vinyl ①	QH48-60

① Front Panels Slate Finish, Side Panels Platinum Gray matching Q-tec vinyl cabinet finishes.



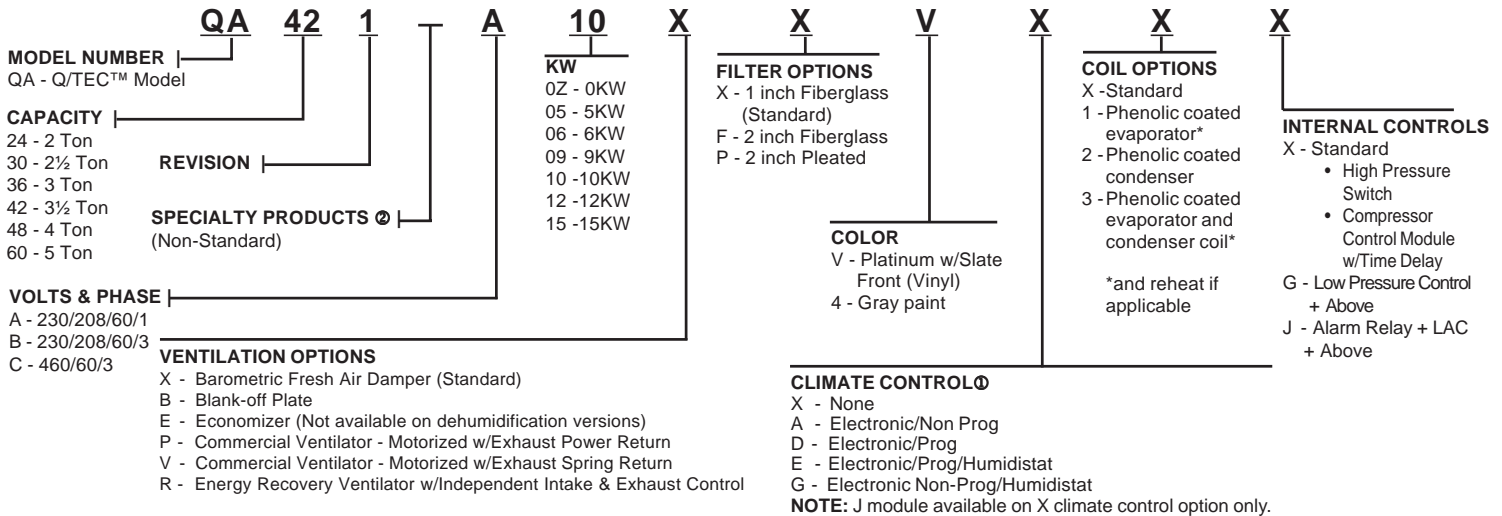
Features:

- Two Plenum Finishes To Match Unit Cabinets
 - Vinyl or Painted Steel
- Compatible With New or Existing Units
- Removable Cam Lock Hinge Doors
- Easy Unit Service Access
- Sound Absorbing Insulation
- Reduces Equipment dBA Operating Levels
 - Up to 5 dBA with Energy Recovery Ventilator option.
 - Provides general muffling of basic unit operation. Actual sound reduction may vary depending on system operating conditions and other site variables.



MIS-2267

Q/Tec™ Model Nomenclature



NOTE: ① Climate control option "X", "E" or "G" must be ordered in conjunction with the dehumidification circuit. If "X" control option is selected, humidistat must be field supplied. For CS2000A2 applications order "X" control option for field supplied and installed thermostat and humidistat, or "G" control option for factory installed electronic non-programmable/Man or Auto C/O thermostat and humidistat. "G" option can be used without CS2000A2 only if "X" or "B" ventilation option is used unless other control provisions are field supplied to limit ventilation to occupied periods. ② Insert "D" for dehumidification with hot gas reheat. Reference Form F1801 for complete details.

Required Field Installed Accessories - One Size/Color Must Be Used For Each Installation

Outdoor Louver Grilles:

QLG-10 (for 2 - 3½ Ton Models)	QLG-15 (for 4 - 5 Ton Models)	Clear Anodized Aluminum
QLG-20 (for 2 - 3½ Ton Models)	QLG-25 (for 4 - 5 Ton Models)	Medium Bronze Anodized Aluminum
QLG-30 (for 2 - 3½ Ton Models)	QLG-35 (for 4 - 5 Ton Models)	Dark Bronze Anodized Aluminum

Wall Sleeves: Note - Maximum dimension in inches of wall is shown ()

For all 2 through 3½ ton units	QWS42A (14")	QWS42A-16 (16")	QWS42A-19 (19")	QWS42A-20 (20")	QWS42A-23 (23")	QWS42A-30 (30")
For all 4 through 5 ton units	QWS48A (14")	QWS48A-16 (16")	QWS48A-19 (19")	QWS48A-20 (20")	QWS48A-23 (23")	QWS48A-30 (30")

Optional Field Installed Accessories - Additional Items As Determined By Job Specifications

Drain Kit:

QCDS48A Rear condensate drain system allows easy removal of unit from wall sleeve. **Fits all models.**

NOTE: The following accessory items must be selected so that the finish (color) is matched to the QA-model that they will be used with.

Side Trim Extension Kits:

Required when wall thickness is less than 10½ inches and works for walls down to 6-inches thick. Used in place of standard trim kit supplied with unit to cover the space between unit and wall.

QSTX42A-V	Platinum vinyl	QSTX42A-4	Gray paint		Unit Compatibility All models
-----------	----------------	-----------	------------	--	---

Free-Blow Plenum Boxes:

QPB42-V	Platinum vinyl	QPB42-4	Gray paint	Front supply, 4-way deflection grille	Unit Compatibility 2 - 3½ Ton
QPBS42-V	Platinum vinyl	QPBS42-4	Gray paint	Same as QPB42, plus 2-way deflection grille on each side	2 - 3½ Ton
QPB48-V	Platinum vinyl	QPB48-4	Gray paint	Front supply, 4-way deflection grille	4 - 5 Ton
QPBS48-V	Platinum vinyl	QPBS48-4	Gray paint	Same as QPB48, plus 2-way deflection grille on each side	4 - 5 Ton

Top Fill Systems for Finishing Plenum Boxes to Ceilings:

QPBX42-9-V	Platinum vinyl	QPBX42-9-4	Gray paint	Use with QPB42 or QPBS42 (adjusts to ceilings up to 9' 6")	Unit Compatibility 2 - 3½ Ton
QPBX42-10-V	Platinum vinyl	QPBX42-10-4	Gray paint	Use with QPB42 or QPBS42 (adjusts to ceilings up to 10' 2")	2 - 3½ Ton
QPBX48-9-V	Platinum vinyl	QPBX48-9-4	Gray paint	Use with QPB48 or QPBS48 (adjusts to ceilings up to 9' 6")	4 - 5 Ton
QPBX48-10-V	Platinum vinyl	QPBX48-10-4	Gray paint	Use with QPB48 or QPBS48 (adjusts to ceilings up to 10' 2")	4 - 5 Ton

Cabinet Extensions for Ducted Applications:

QCX10A-V	Platinum vinyl	QCX10A-4	Gray paint	20" height (adjusts for ceilings up to 9' 4"; add QPBX42-9 for 9'4" to 10' finished ceiling heights)	Unit Compatibility 2 - 3½ Ton
QCX15A-V	Platinum vinyl	QCX15A-4	Gray paint	20" height (adjusts for ceilings up to 9' 4"; add QPBX48-9 for 9'4" to 10' finished ceiling heights)	4 - 5 Ton

Hot Water Coils with Plenum Boxes:

QPBHW42-F-V	Platinum vinyl	QPBHW42-F-4	Gray paint	Free-Blow plenum box	Unit Compatibility 2 - 3½ Ton
QPBHW48-F-V	Platinum vinyl	QPBHW48-F-4	Gray paint	Free-Blow plenum box	4 - 5 Ton
QPBHW42-D-V	Platinum vinyl	QPBHW42-D-4	Gray paint	Ducted plenum box	2 - 3½ Ton
QPBHW48-D-V	Platinum vinyl	QPBHW48-D-4	Gray paint	Ducted plenum box	4 - 5 Ton

NOTE: The same top fill system and cabinet extensions can be used with hot water coil plenum boxes as with standard plenum boxes.



Bard Manufacturing Company, Inc.
Bryan, Ohio 43506
www.bardhvac.com

Due to our continuous product improvement policy, all specifications subject to change without notice.

Before purchasing this appliance, read important energy cost and efficiency information available from your retailer.

Form No.
S3361
February, 2009

Supersedes S3361-907