



EWM Wall-Mount™ H-Series & W-Series 1, 2, 3 & 4 Economizer Upgrade Kit for Field Installation

The EWM Economizer Kit includes a field installed economizer vent option that may be used in various Wall Mount units that Bard has produced over the past several years. By installing the EWM economizer, energy usage is greatly reduced and compressor runtime is decreased resulting in extended equipment life. Additional features have been included for ease of serviceability and increased blade sealing to meet today's building codes and regulations.

ECONOMIZER SPECIAL FEATURES

Improved Sealing Ability:

Vent openings include flexible plastic wiper sealing surfaces to reduce air leakage when the damper blade is closed.

Increased Airflow:

Vent includes large air passages for increased intake and exhaust airflow during economizer and mechanical cooling mode.

JADE Controller:

Economizer features include JADE controller with proven dependability and diagnostic display along with easy setup.

Improved Connectivity:

Connectors allow for removal of economizer and simplified installation by using plug connections.

ENGINEERED STANDARD FEATURES

Durable Construction:

Economizer is made out of 20 gauge galvanized material. Hood and exterior components have a baked on enamel finish.

Spring Operated Damper Motor:

The fully modulating vent damper motor is centrally mounted in the vent for ease of service and dependable operation. Damper springs closed when power is removed.

Universal Kit:

The economizer kit is designed for both left and right hand unit use. Three (3) sizes are available to cover a wide range of unit sizes. See chart for unit compatibility.

Mixed Air Temperature Sensor:

System uses a mixed air temperature sensor to maintain a supply air temperature of 55°F during economizer only operation.

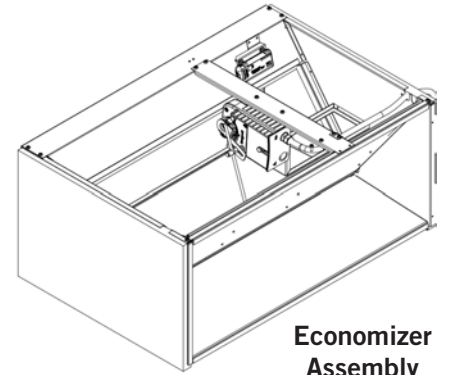
Outdoor Air Temperature Sensor:

System uses an outdoor air temperature sensor to verify outdoor temperatures are below the set point for economizer operation.

NOTE: Outdoor sensor required and sold separately. See Page 3 for details.

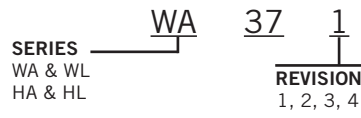
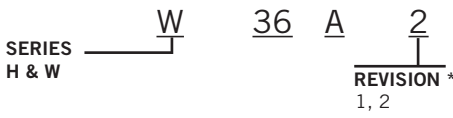


Unit with Economizer Hood Installed



Economizer Assembly

ALL H-SERIES & W-SERIES 1, 2, 3, 4

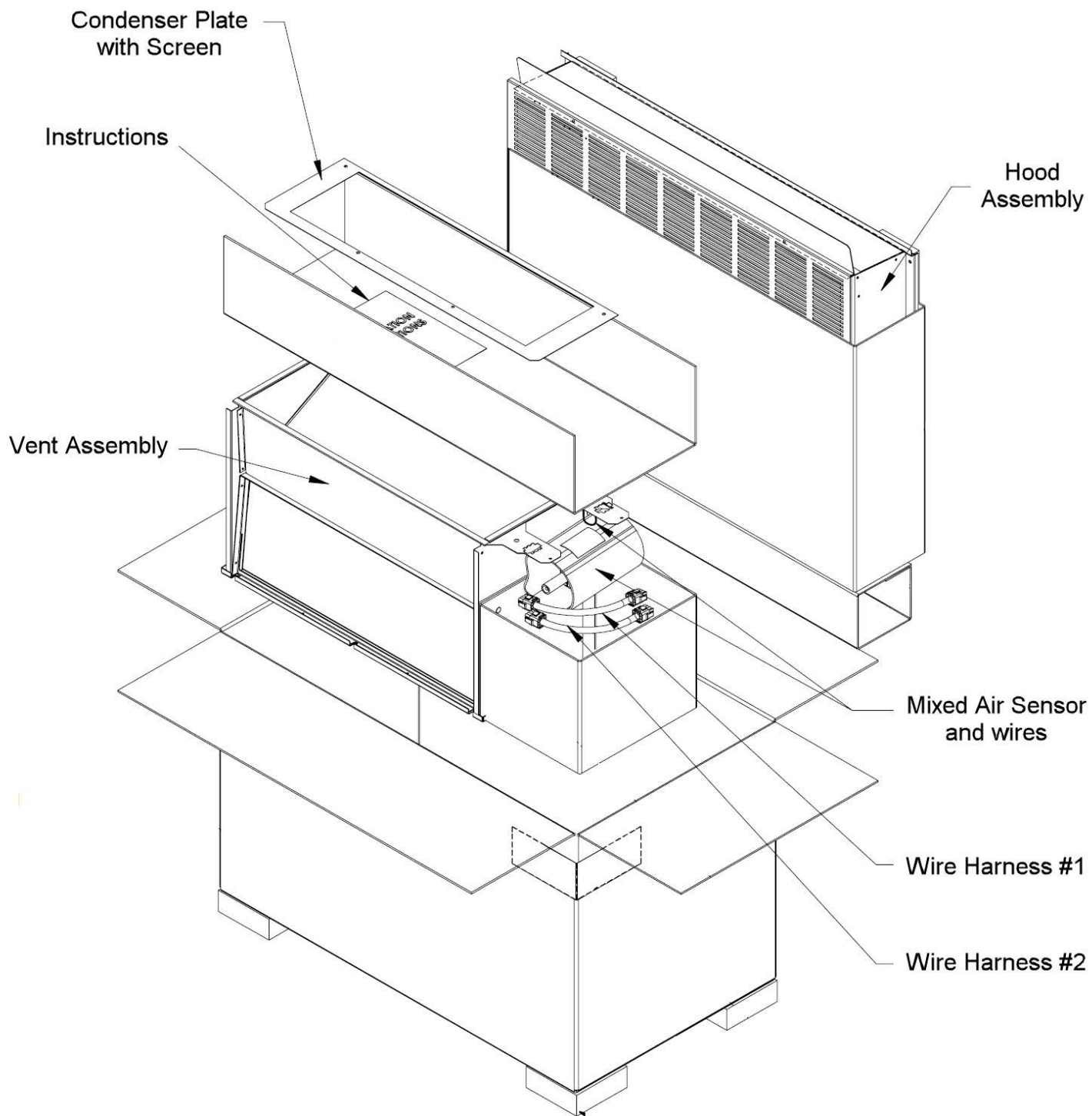


* Revision "A" Products use WECOP field economizer options.

Economizer	Wall-Mount™ Units to Upgrade
EWM2-T*	H24A, W17A, W17L, W18A, W18L, W24A, W24L, WA18, WL18, WA24, WL24, WA25, WL25
EWM3-T*	H36A, W30A, W30L, W36A, W36L, WA30, WL30, WA36, WL36, WA37, WL37
EWM5-T*	H42A, H48A, H60A, H72A, W42A, W42L, W48A, W48L, W60A, W60L, WA42, WL42, WA48, WL48, WA60, WL60, WA61, WL61, W70A, W70L, WA70, WL70, WA72, WL72, W38A, W49A, W61A

* NOTE: This digit indicates unit color. The EWM kits are available in the following colors:
 X = Beige, 1 = White, 4 = Buckeye Gray, 5 = Desert Brown, 8 = Dark Bronze

KIT CONTENTS

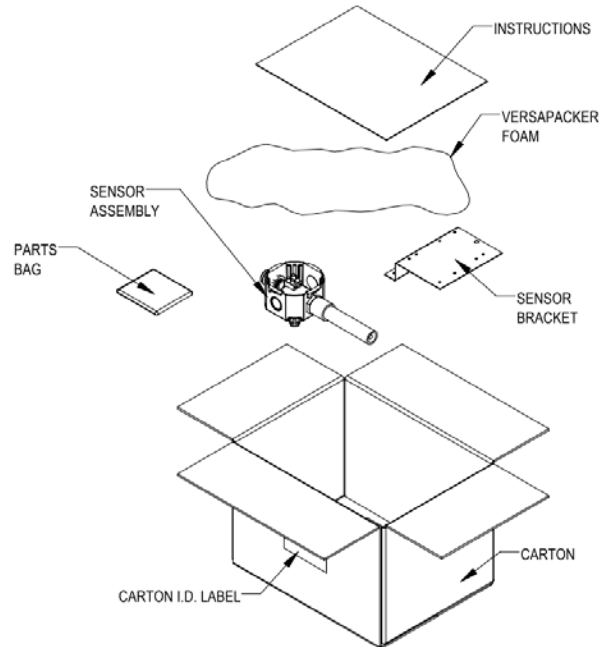


Note: Outdoor Sensor sold separately. See Page 3 for details.

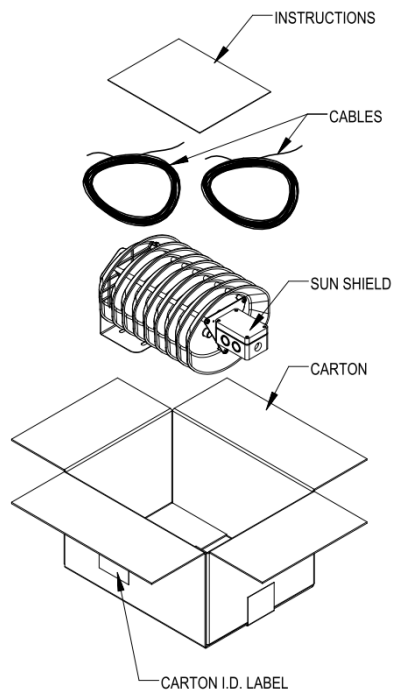
OUTDOOR SENSOR KITS

The EWM economizer kit requires the use of a separate outdoor sensor kit. The following kits are available:

Standard Sensor Kit Part #8620-260: The standard kit includes a Temperature 20K resistance sensor that is housed in an standard outdoor rated enclosure. 50' of sensor cable is included that may be cut to length before installation. One sensor kit is required per economizer kit being installed.



Sun Exposure Resistant Sensor Kit Part #8620-261: The Sun Exposure kit includes two (2) Temperature 20K resistance sensors that are housed in an outdoor rated enclosure. 50' of sensor cable is included that may be cut to length before installation. One sensor kit is required per two (2) economizer kits being installed.



ECONOMIZER ENERGY SAVINGS

Estimated annual energy savings by using the EWM economizer will vary on depending on location and the structure being cooled. Bard provides an online calculator to estimate annual energy savings at <http://telecom.buildabard.com/>

Step #1: Go to <http://telecom.buildabard.com/>. Select information and pick "Continue".



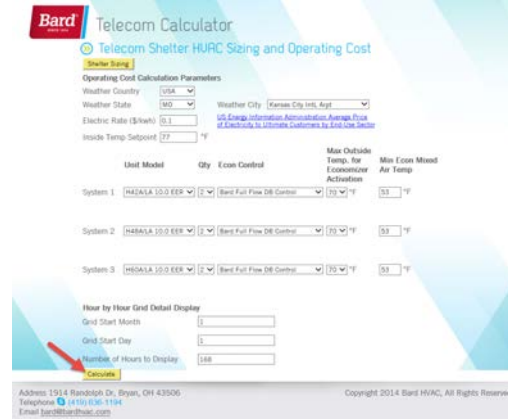
Step #2: Provide information on the shelter and shelter location. Pick "Calculate Size".



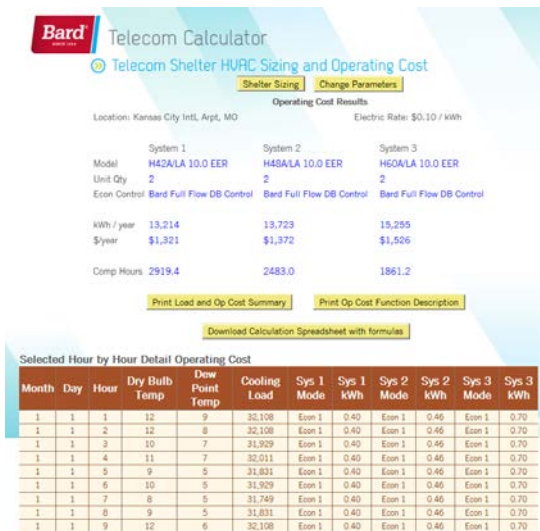
Step #3: Information will be displayed regarding unit sizing and heat load. Pick "Operating Cost Calculation".



Step #4: Select the location of the shelter, electric rate, and unit(s) to compare. Pick "Calculate".



Step #5: Review information provided on energy use and savings.



More information regarding Bard and Bard Telecom products can be found at www.bardhvac.com



Bard Manufacturing Company, Inc.
Bryan, Ohio 43506
www.bardhvac.com

Due to our continuous product improvement policy, all specifications subject to change without notice.

Before purchasing this appliance, read important energy cost and efficiency information available from your retailer.

Form No.
S3539
September, 2022

Supersedes: S3539-0517